

SERIE 20

INCREMENTAL SOLID SHAFT ENCODER COST OPTIMIZED FOR INDUSTRIAL APPLICATIONS

- Resolution up to 1.024 pulses per turn
- External diameter 58 mm
- Shaft \varnothing 6 mm
- Protection class IP54 according to DIN EN 60529
- Different flanges available
- Connection by cable (other cable length available) or industrial connector
- Female connector included



Optical Encoder



Incremental Encoder



Vibration and shock resistant

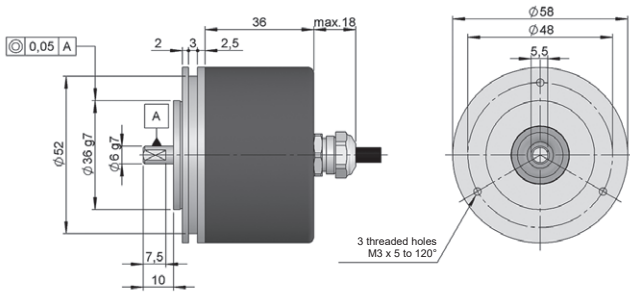


IP67



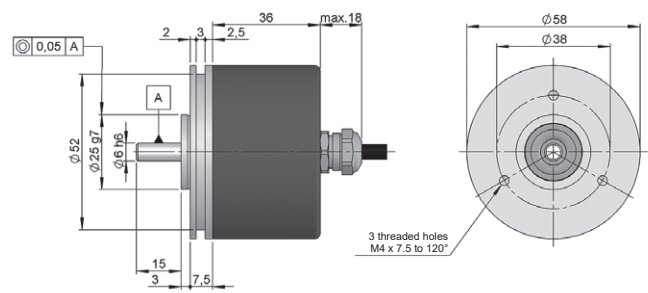
Express Delivery

Option A



Drawing mechanical option type 1, connection type 2, without flange

Option B



Drawing mechanical option type 2, connection type 2, without flange

REFERENCE

Reference example: 20-11621-1024

Serie	Mechanical option	Flange	Output signals	Connection	Power Supply / Electronic output	Pulses number	Special customer
20 -	<input type="checkbox"/>	<input type="checkbox"/>	<input type="checkbox"/>	<input type="checkbox"/>	<input type="checkbox"/> -	<input type="checkbox"/> <input type="checkbox"/> <input type="checkbox"/> <input type="checkbox"/> <input type="checkbox"/>	<input type="checkbox"/> <input type="checkbox"/> <input type="checkbox"/> <input type="checkbox"/> <input type="checkbox"/>
	1. Option A \varnothing 6x10 mm 2. Option B \varnothing 6x15 mm	1. None 2. 90.1002 3. 90.1004 4. 90.1005 (*)	1. A 2. A+B 3. A+B+ $\tilde{0}$ 5. $\tilde{A}\tilde{A}+\tilde{B}\tilde{B}$ 6. $\tilde{A}\tilde{A}+\tilde{B}\tilde{B}+\tilde{0}\tilde{0}$ 9. A+B+0	1. Axial 90.9504 DIN 43650 4p 2. Axial cable	0. 11...30 VDC / NPN Open collector 11...30 VDC 1. 11...30 VDC / Push-Pull 11...30 VDC 2. 5 VDC / Line driver differential (compatible TTL) 5 VDC		

(*) Flange options 90.1002, 90.1004, 90.1005 (2/3/4) only available for the mechanical option A \varnothing 6x10 mm (1).
 Flange mounting included in delivery of the encoder.

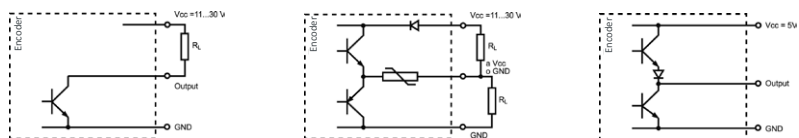
SERIE 20

INCREMENTAL SOLID SHAFT ENCODER COST OPTIMIZED FOR INDUSTRIAL APPLICATIONS

MECHANICAL SPECIFICATIONS

Materials	Cover: Plastic Housing: Aluminium Shaft: Stainless Steel
Bearings	Ballraces
Bearings lifetime	1x10 ¹⁰ rev.
Maximum number of revolutions permitted mechanically	6000 rpm
Protection against dust and splashes according to DIN EN 60529	IP54
Rotor inertia moment	10 gcm ²
Starting torque at 20°C (68°F)	≤ 0,005 Nm
Maximum load permitted on axial shaft	20 N
Maximum load permitted on radial shaft	30 N
Weight aprox.	0,3 Kg
Operating temperature range	-20°C to +60°C
Vibration according to DIN EN 60068-2-6	100 m/s ² (10Hz...2000Hz)
Shock according to DIN EN 60068-2-27	1000 m/s ² (6ms)
Maximum pulses per turn	1.024
Axial connection	2 meters cable or industrial connector (other cable lengths available on order) Female connector included

OUTPUT SIGNALS



OUTPUT CIRCUIT	NPN Open Collector	Push-Pull	Line Driver (TTL compatible)
Reference	0	1	2
Power supply	11...30 VDC	11...30 VDC	5 VDC ±10%
Output voltage	11...30 VDC	11...30 VDC	5 VDC
Consumption	40 mA	Typical: 45 mA Max: 150 mA	Typical: 120 mA Max: 150 mA
Max. load capability / channel	40 mA	±30 mA	±40 mA
Length of cable allowed	50 m (24 VDC)	50 m	100 m
"Low" signal level	VOL < 0,4 VDC (24 VDC)	VOL < 2.5 VDC	VOL < 0.2 VDC
"High" signal level	VOH > 22 VDC (24 VDC)	VOH > VCC - 3 VDC	VOH > 2.4 VDC
Frequency	100 kHz	200 kHz	100 kHz
Short circuit protection	Not permanent	Yes	Yes
Protection polarity inversion	Yes	Yes	No

Channel B leads (90° electric) channel A, view from the shaft, shaft rotating clockwise

SERIE 20

INCREMENTAL SOLID SHAFT ENCODER COST OPTIMIZED FOR INDUSTRIAL APPLICATIONS

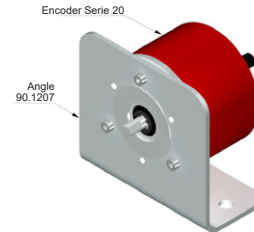
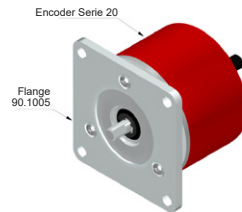
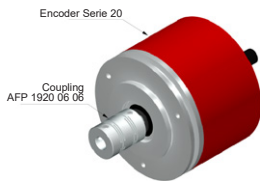
CONNECTION



	95.0008002 Cable 2x2x0,14+1x0,14	95.0008003 (*) Cable 3x2x0,14+2x0,34	90.9504 DIN 43650 4p
GND	Yellow	Black	1
VCC	White	Red	2
A	Brown	Yellow	3
B	Green	Green	4
~A		Brown	
~B		Blue	
0 (reference)	Grey	Grey	
0̃	Grey	Orange	

Cable 3x2x0,14+2x0,34 only for encoders with inverted signals.

ACCESSORIES EXAMPLES

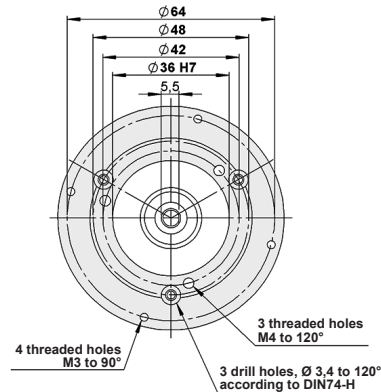
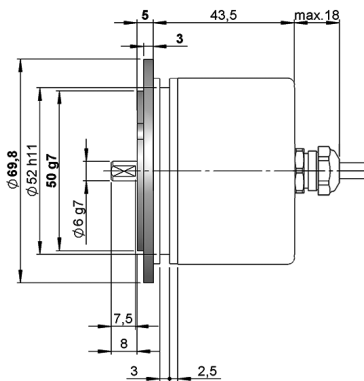


All the accessories available in the section "MOUNTING ACCESSORIES".

FLANGE DIMENSIONS

Flange mounting included

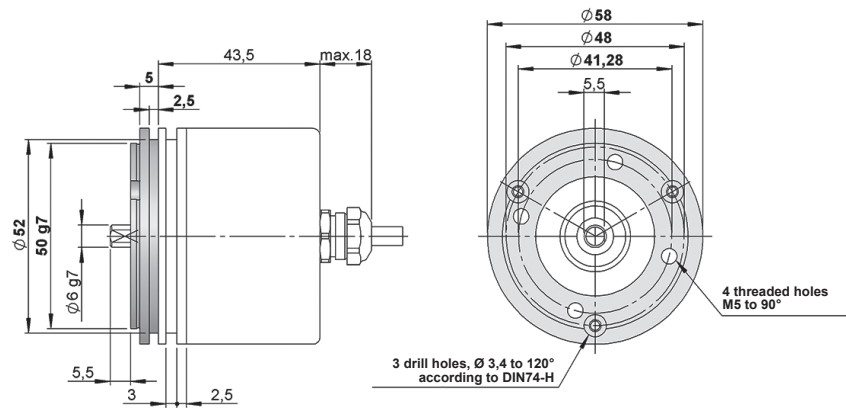
Flange 2
90.1002



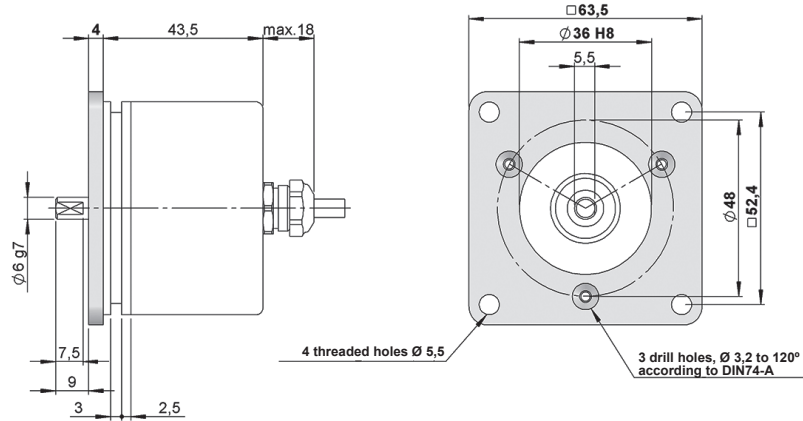
SERIE 20

INCREMENTAL SOLID SHAFT ENCODER COST OPTIMIZED FOR INDUSTRIAL APPLICATIONS

Flange 3
90.1004



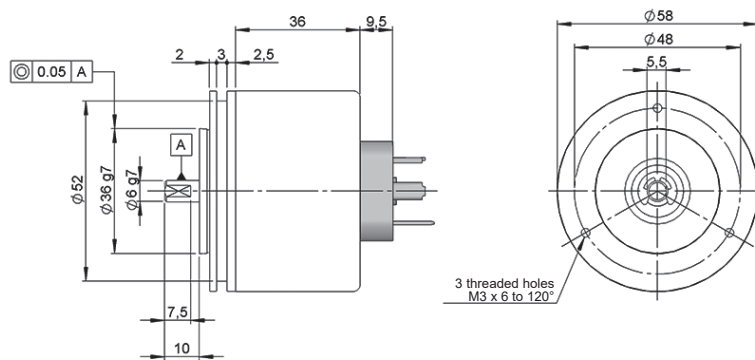
Flange 4
90.1005



CONNECTION DIMENSIONS

Female connector included

Connection 1
Axial 90.9504



90.9504
DIN 43650 4p
male panel

