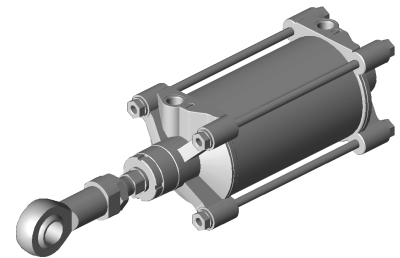


Type code TRB-DA-125-0160-0-2-2-1-3-7-ACC

Description

Series	TRB	Tie rod cylinder - series TRB
Piston diameter	125	Piston diameter 125
Stroke	0160	Stroke in mm
Threads	0	ISO Threads
Cushioning	2	Pneumatic cushioning
Piston	2	Piston with magnet ring (-10°C to 120°C)
Piston rod	1	Single
Sealings	3	Sealings - high temperature FPM
Scraper	7	Modular sealing concept - metal, heat resistant (-10°C to 120°C)
Corrosion protection	1	Standard
Piston rod extension	0	Without piston rod extension
ATEX	000	Without ATEX
Trunnion mounting	0	Without trunnion mounting
Position trunnion mounting	0	
End covers	0	End covers without surface treatment
Port position		
Port position front	0	0° (12h)
Port position rear	0	0° (12h)
Accessories		
Piston rod mountings	AP6	Ball Eye Rod End
Mounting at front cover	000	No mounting at front cover
Mounting orientation front	00	Without mounting
Mounting at rear cover	000	No mounting at rear cover
Mounting orientation rear	00	Without mounting
Counter bearing	000	No counter bearing
Guide units	000	No guiding unit, no locking element
Sensor type	000	Without Sensor
Sensor position	00	Without sensor position
Fittings front	000	Front cover - without fitting
Fittings rear	000	Rear cover - without fitting



Note:

A specific part number is required for ordering and clearly identifying the configured product. If the part number is not shown under the type code, please save your configuration under "Save project".

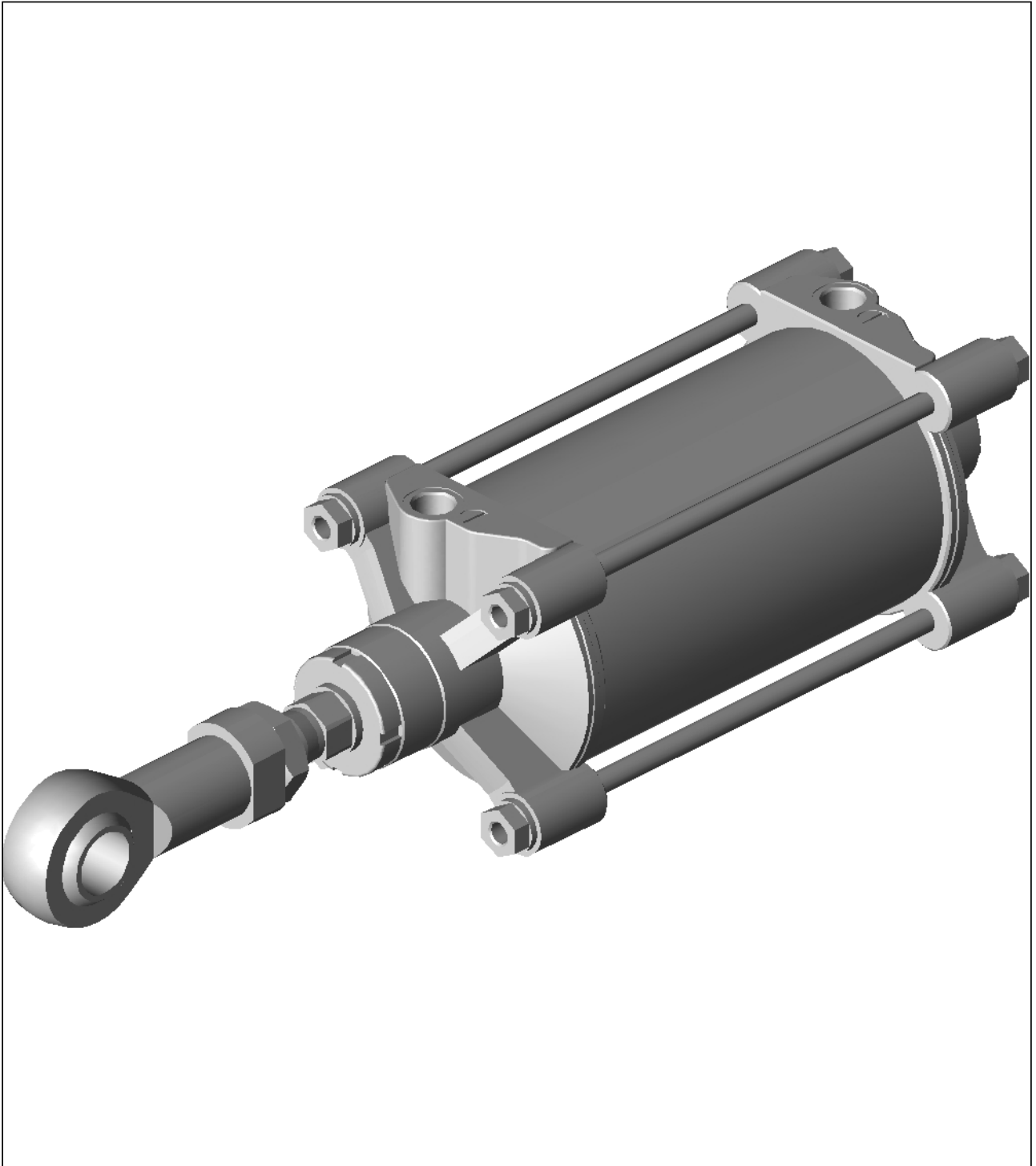
Type code TRB-DA-125-0160-0-2-2-1-3-7-ACC

Spare parts

Base cylinder	R480615725	TRB-DA-125-0160-0-2-2-1-3-7-BAS
Tube		TUBE TRB-125-0160-0-3-7
Tie rod		TIEROD TRB-125-0160-0-3-7
Piston rod mounting	1822124013	CM2-AP6-M027-M2-A
Spare part kit - heat	R413000832	SPARE PART KIT PRA/TRB-125-HT
Scraper	0496303105	MOD. SEALING SYSTEM METAL/FPM Ø125

Type code

TRB-DA-125-0160-0-2-2-1-3-7-ACC



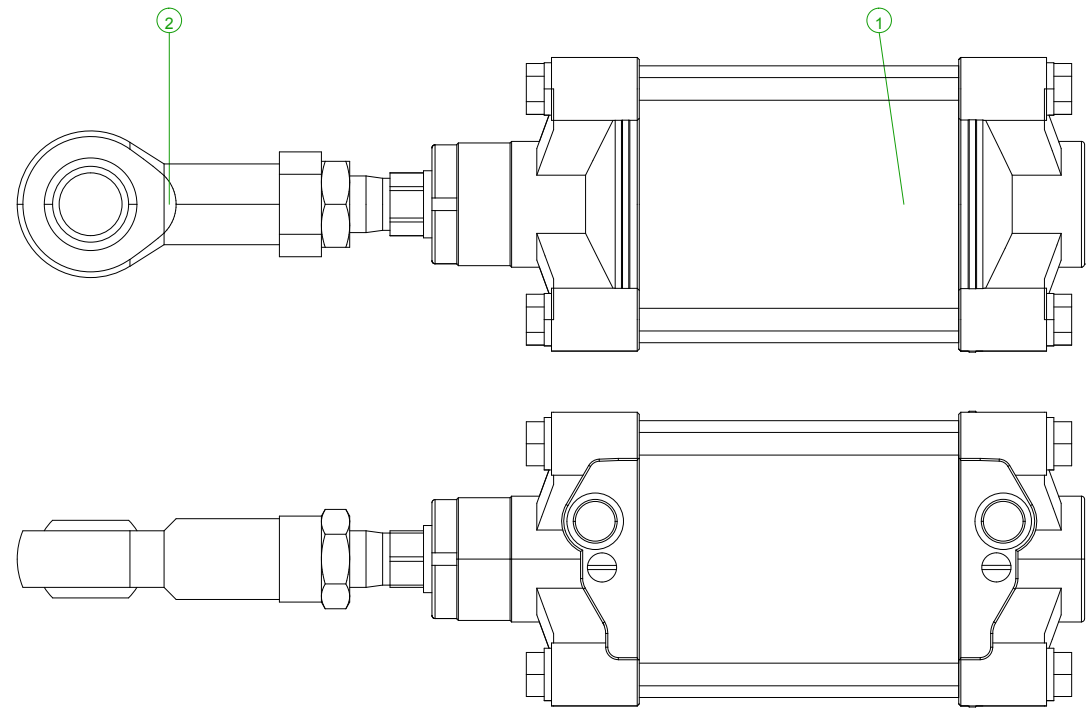
Please click on the image to activate the 3D model.

We are not liable for this 3D model since it has been generated automatically.

© Alle Rechte bei AVENTICS S.p.A., auch für den Fall von Schutzrechtsanmeldungen. Jede Weitergabe, wie Kopier- und Weitergaberecht, ist untersagt.

© This document, as well as the data, specifications and other informations set forth in it, are the exclusive property of AVENTICS S.p.A.. Without their consent it may not be reproduced or given to third parties.

Pos.	Quantity	Material number	Designation	Type code
1	1	R480615725	Base cylinder	TRB-DA-125-0160-0-2-2-1-3-7-BAS
2	1	1822124013	SWIVEL HEAD	CM2-AP6-M027-M2-A

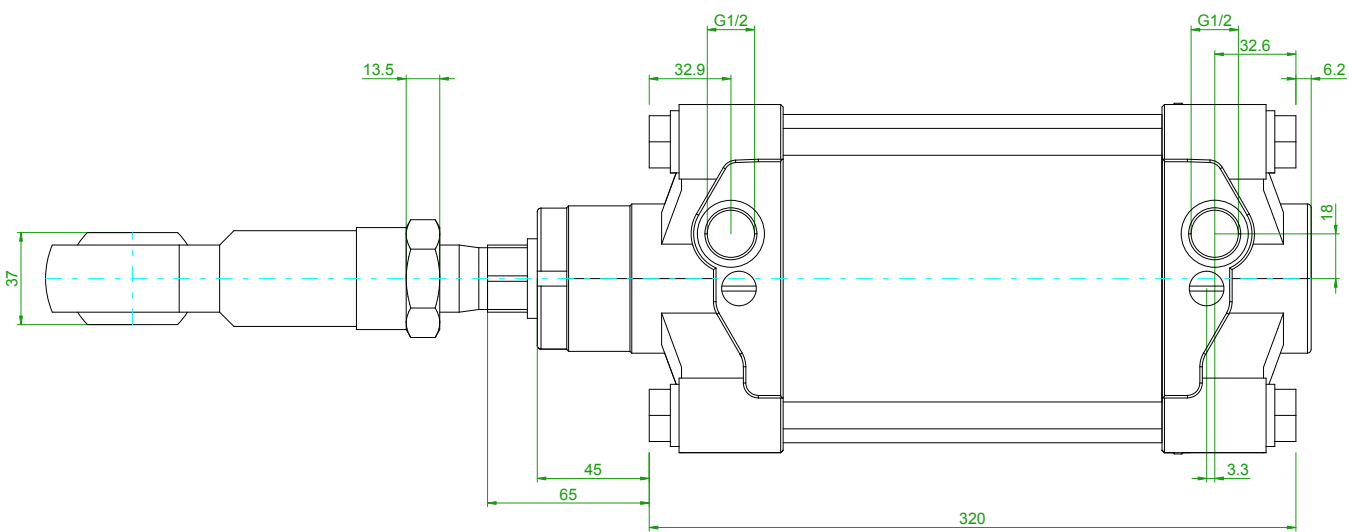
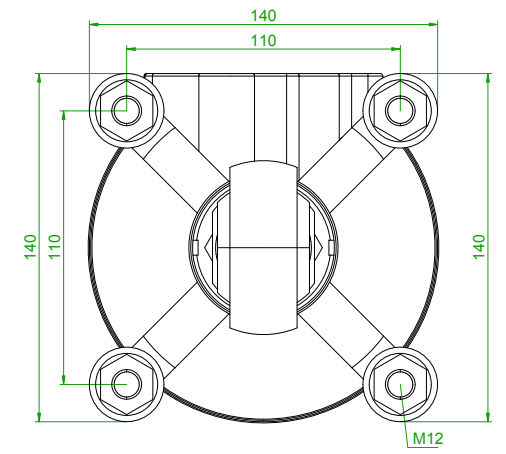
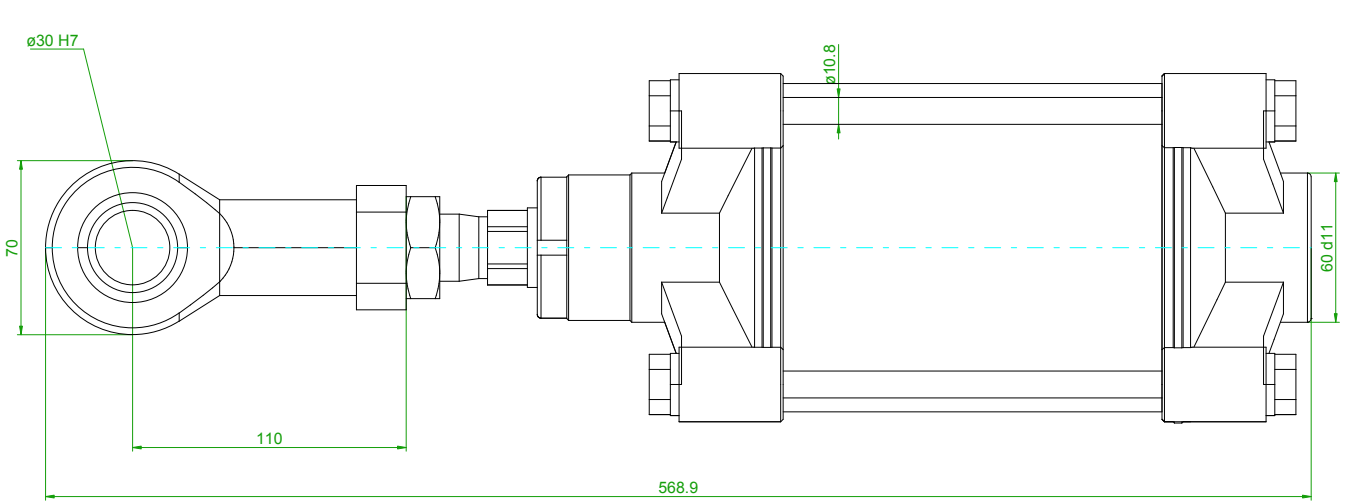


Note:
Stroke length not to scale.
For this drawing non-warranty exists, because it is build automatically.

No changes		2019-07-30	Cylinder			-	-		
Ind.	Change/Amend.	Datum / Date	Drawn/Gez.	Checked/Gepr.	Released/Freig.	BWN	Resp. dept /Verantw. /Abt.	Add info / Zus. Info	
LangSpr. EN	Syst.	Weight/Gew. kg	Scale/M.stab ---			TRB-DA-125-0160-0-2-2-1-3-7-ACC			Sheet/Bl. 1 / 1
OFFER DRAWING ANGEBOTS-ZEICHN.		Doc. type MTA	- ZUZ			PO/DT 001	Ind.	Format A3	
				Repl. for				Repl. by	

© Alle Rechte bei AVENTICS S.p.A., auch für den Fall von Schutzreclamierungen. Jede Verwendungs-, Kopier- und Weitergaberecht, bei uns.

© This Document, as well as the data, specifications and other informations set forth in it, are the exclusive property of AVENTICS S.p.A.. Without their consent it may not be reproduced or given to third parties.



Note:
Stroke length not to scale.
For this drawing non-warranty exists, because it is build automatically.
Dimensions not shown, see technical documentation
Dimensions in mm

No changes		2019-07-30	Cylinder						
Ind.	Change/Änd.	Datum / Date	Drawn/Gez.	Checked/Gepr.	Released/Freig.	BWN	Resp. dept/Verantw. Abt.	Add info / Zus. Info	
LangSpr.	Syst.	Weight/Gew.			TRB-DA-125-0160-0-2-2-1-3-7-ACC			Sheet/Bl.	
EN		kg						1 / 1	
		Scale/M.stab	OFFER DRAWING		Doc. type	- AGZ			P0/TD
		---	ANGEBOTS-ZEICHN.		MCC				001
				Repl. for	Repl. by				