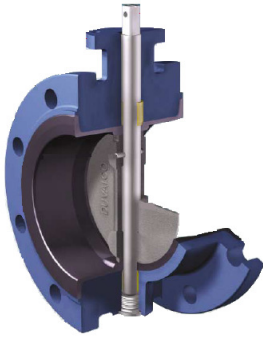
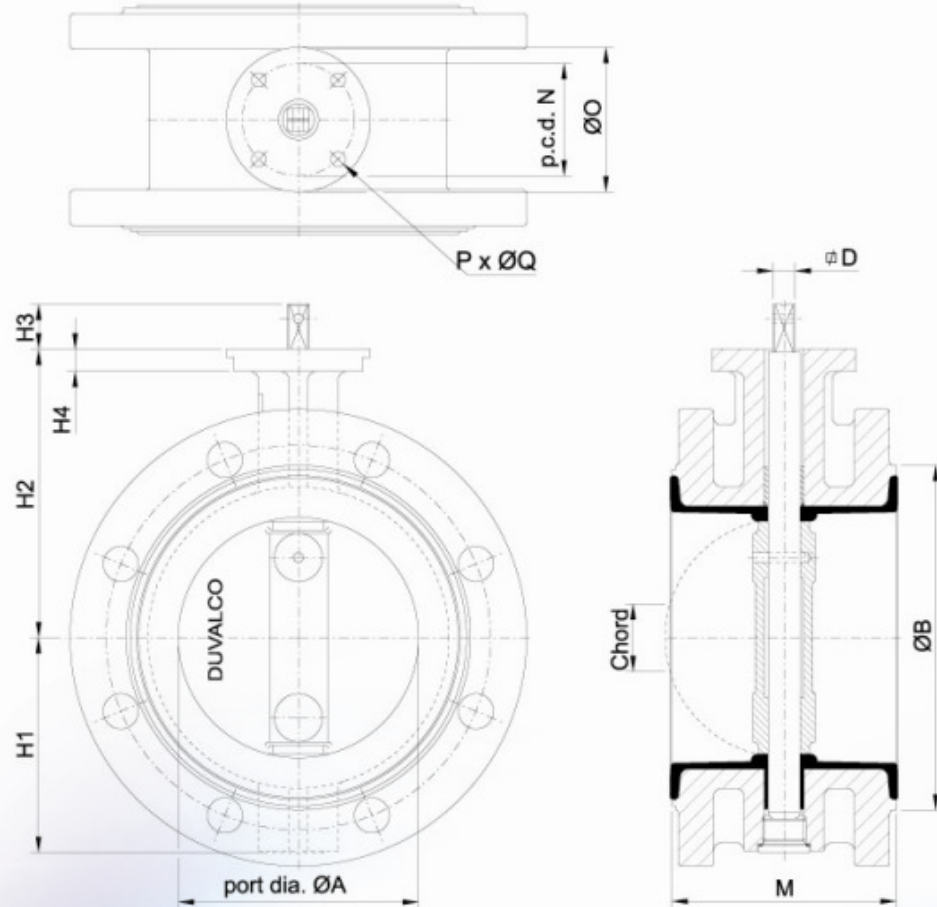


<b>Description</b>	<p>Duvalco BA double flanged butterfly valves are of the concentric type with vulcanised rubber liner for minimum operating loads and reduced wear and tear on the various components, designed to meet EN 593. Body construction is from ductile iron with discs available in ductile iron, stainless steel 304 or 316, shafts in 420, 431, 304 or 316 stainless steel. Aluminium bronze discs also available.</p>			
<b>Size Range</b>	DN50 to DN2200			
<b>Pressure Rating</b>	All valves are rated at PN16 for 16 bar continuous working pressure <i>(Other pressures also available upon request)</i>			
<b>Design Standard</b>	EN 593			
<b>Materials of Construction</b>	<b>Description</b>	<b>Material</b>	<b>Grade</b>	
	Body	Ductile SG iron	BS EN 1563 Grade EN-GJS-400-15	
	Disc	Ductile SG iron	BS EN 1563 Grade EN-GJS-400-15	
	Shaft	Stainless steel	BS EN 10088-3 1.4005 (316) (Size below 400mm)	
			BS EN 10088-3 1.4034 (420) (Size after 450mm)	
	Lining	EPDM	BS EN 681-1 Type WA	
NBR		BS 2494		
Fasteners	Zinc Plate steel	BS 4168 PT1 Grade 8.8		
<i>* Other types of materials are also available upon request</i>				
<b>Testing</b>	<b>PN16 pressure rating valves are tested to the following pressures:-</b>			
	<b>Description</b>	<b>Nominal Pressure</b>	<b>Hydraulic Test Pressure</b>	
	Body	16 bar	24 bar	
	Seat	16 bar	17.6 bar	
<b>Direction to close</b>	Clockwise To Close (CTC)			
<b>Corrosion Protection</b>	<ol style="list-style-type: none"> <li>1) The external surfaces of the valve body and the disc will be coated with spray applied liquid 2-pack epoxy paint system - primer plus 2 finish coats.</li> <li>2) Epoxy coating is WRAS listed for potable water applications and meets the requirements of BS 6920 for water quality testing.</li> <li>3) Coating colour - blue to RAL 5005</li> </ol>			

**Dimensional Details**

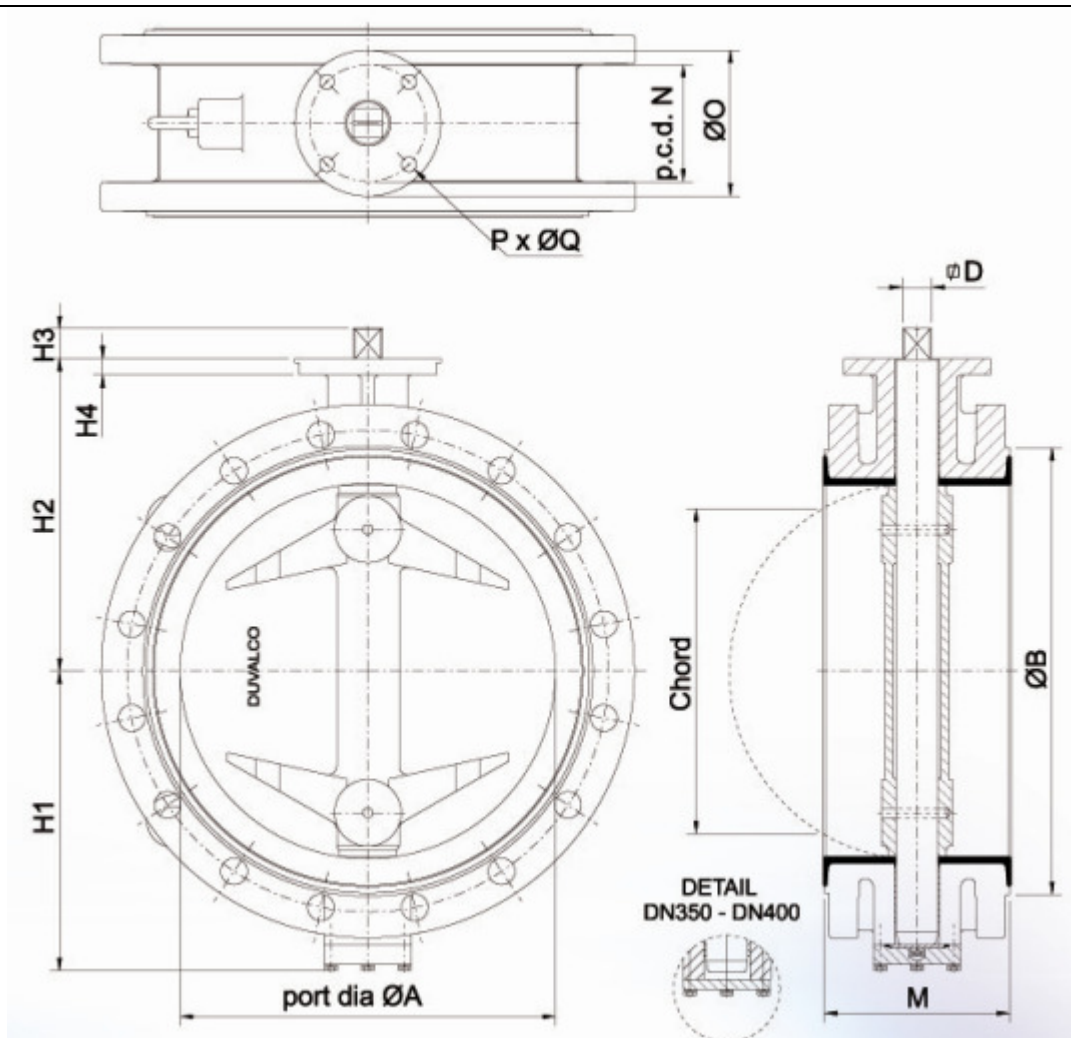


Nominal Size	ØA	ØB	ØD	H1	H2	H3	H4	M	N	ØO	P	ØQ	Chord	Weight Kg
50	50	102	11	67	118	25	12	108	70	90	4	9	-	7.5
65	65	122	11	74	126	25	12	112	70	90	4	9	-	9.0
80	80	130	11	82	133	25	14	114	70	90	4	9	-	11
100	100	158	11	100	147	25	14	127	70	90	4	9	-	14
125	125	191	14	112	160	28	14	140	70	90	4	9	-	19
150	150	215	14	134	180	28	14	140	70	90	4	9	53	22
200	200	268	17	159	204	28	14	152	70	90	4	9	130	34
250	250	324	22	195	245	30	15	165	102	125	4	11	188	49
300	300	374	22	220	270	30	15	178	102	125	4	11	242	69

All dimensions are in mm.

# DATA SHEET

## BA DOUBLE FLANGED BUTTERFLY VALVE

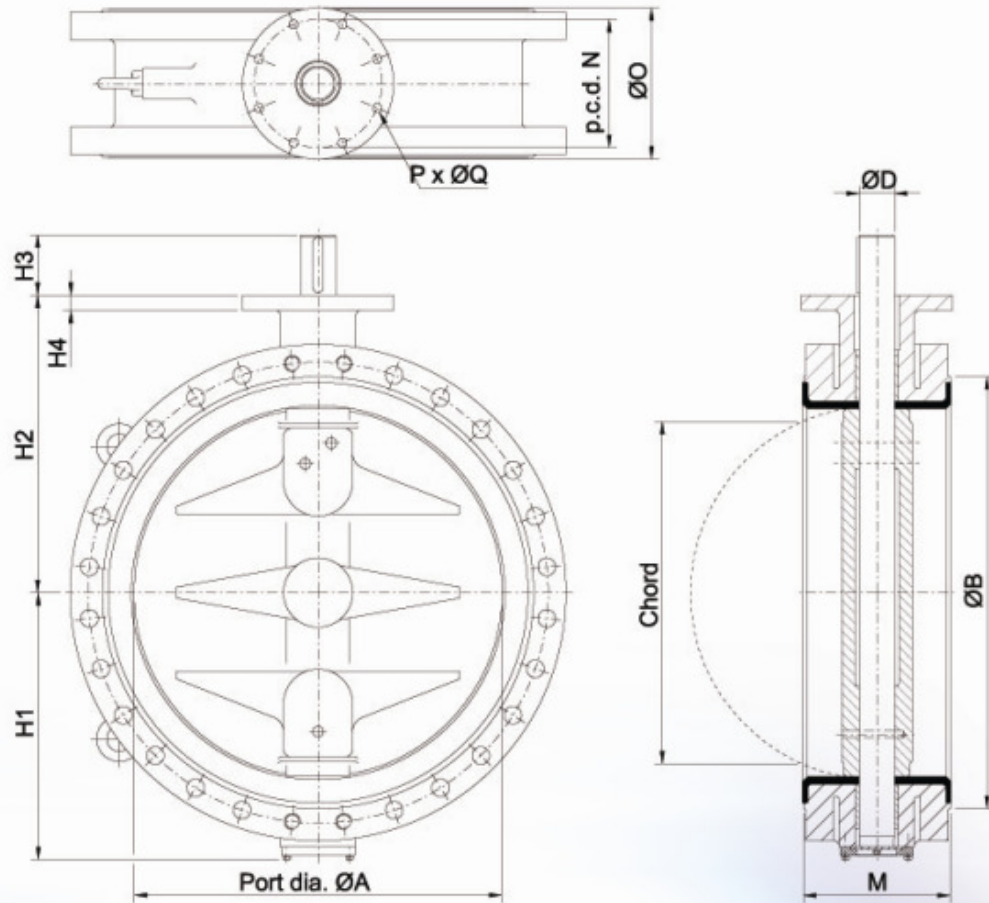


Nominal Size	$\varnothing A$	$\varnothing B$	$\varnothing D$	H1	H2	H3	H4	M	N	$\varnothing O$	P	$\varnothing Q$	Chord	Weight Kg
350	350	438	27	282	315	29	20	190	125	150	4	14	294	71
400	400	488	27	307	350	29	20	216	125	150	4	14	337	98
450	450	536	36	352	375	38	20	222	140	175	4	18	392	119
500	500	590	36	387	415	38	20	229	140	175	4	18	445	162
600	600	692	46	452	465	48	25	267	165	210	4	22	538	258

All dimensions are in mm.

## DATA SHEET

### BA DOUBLE FLANGED BUTTERFLY VALVE



Nominal Size	øA	øB	øD	Key No-size	H1	H2	H3	H4	M	N	øO	P	øQ	Chord	Weight Kg
550	532	635	55	1-16x10x100	395	470	110	25	229	165	210	4	22	480	250
650	640	740	60	1-18x11x100	455	500	110	30	267	165	210	4	22	582	340
700	690	805	70	1-20x12x100	485	555	110	25	292	254	300	8	18	625	450
750	735	855	70	1-20x12x100	540	590	110	30	292	254	300	8	18	675	580
800	790	910	80	1-22x14x110	550	620	120	30	318	254	300	8	18	723	690
900	890	1005	90	2-25x14x110	650	660	120	30	330	254	300	8	18	816	790
1000	985	1110	90	2-25x14x110	680	740	120	30	410	254	300	8	18	896	1040
1100	1085	1220	105	2-28x16x110	767	800	120	40	410	298	350	8	22	1005	1460
1200	1185	1325	110	2-28x16x140	845	950	160	40	470	356	415	8	33	1088	1640
1300	1285	1430	110	2-28x16x140	870	950	160	50	470	356	415	8	33	1196	1800
1400	1385	1535	120	2-32x18x140	925	990	160	50	530	356	415	8	33	1280	2475
1500	1477	1645	135	2-36x20x140	1000	1050	160	50	600	406	475	8	39	1350	2710
1600	1568	1755	150	2-36x20x140	1085	1150	160	50	600	406	475	8	39	1449	2840
1800	1770	1965	165	2-40x22x160	1214	1265	180	55	670	406	475	8	39	1638	3980
2000	1970	2160	200	2-45x25x180	1437	1425	200	60	520	483	560	8	39	1900	6500

**Valve Dimensions for PN16 Double Flange Valves**

**Face-to-face length**

Type BA double flanged valves meet the requirements of BS EN 558 /ISO 5752 Basic Series 13.

PN10 also available as standard, plus BS 10 Table E

Full range of sizes DN50 to DN2400 also available.

❖ *Note:*

*Please refer to General Arrangement Drawing for full details of valves*

<b>Marking</b>	<p><b>All valves are marked with the following information:-</b></p> <ul style="list-style-type: none"> <li>- Size</li> <li>- PN rating</li> <li>- 'Duvalco'</li> <li>- Material - SG GGG50</li> <li>- EN 593</li> <li>- Year of manufacture</li> </ul>
<b>Packing</b>	<p>All valves will be despatched properly packed, with all items separated to avoid damage to coating, castings, facings, flange faces, etc.</p>