

Two-piece maintenance units type 488 - G^{1/4} - G¹

The number of possible variations which can be created by simple block-mounting of individual units to form air treatment units is naturally countless. We have listed some of the most frequently used versions of a **2-piece maintenance unit**, consisting of **filter regulator** and **lubricator**. For filters there are options for the bowls and drain valves, for filter regulators there is generally a pressure range of up to 10 bar; various reservoir options are available for the lubricators.

Standard versions:

Control range (p₂) 0,5-10bar, plastic bowl with manually operated drain valve, with gauge, filter porosity 40µm, block mounting with compact connection set with integrated T-bracket for wall mounting

Size	Order No.				
	Connection threads				
	G ^{1/4}	G ^{3/8}	G ^{1/2}	G ^{3/4}	G ¹ **
I	488.221	488.231	-	-	-
II	-	-	488.261	488.281	488.291

Order key for all variants:

488.xxxxx

- V** – filter porosity 5µm (standard: 40µm, without addition)
- plastic bowl (without addition)
- M** – metal bowl
- S** – metal bowl protection
- A** – lockable, with padlock
- D** – gauge with color code 0-16bar
- additional options
- 0** – compact connection set
- 1** – compact connection set with T-bracket
- 2** – comfort connection set (only size I)
- block mounting
- 2** – G^{1/4}
- 3** – G^{3/8}
- 6** – G^{1/2}
- 8** – G^{3/4}
- 9** – G¹**
- size I
- size II
- connection threads
- 2** – manually operated drain valve, gauge (p₁ 0-20 bar)
- 3** – internal automatic drain valve, gauge (p₁ 1,5-12 bar)
- 4** – manually operated drain valve, without gauge (p₁ 0-20 bar)
- 5** – semi-automatic drain valve, gauge (p₁ 0,5-20 bar)
- 6** – external automatic drain valve A, gauge (p₁ 4-16 bar)
- 7** – internal automatic drain valve, without gauge (p₁ 1,5-12 bar)
- 8** – external automatic drain valve A, without gauge (p₁ 4-16 bar)
- 9** – semi-automatic drain valve, without gauge (p₁ 0,5-20 bar)

Note: Gauge (self-sealing) added loosely

Spare parts and accessories

	Order No.	
	size I	size II
Diaphragm complete with slip ring	480-92	480-263
Seal cone complete	480-48	480-218
Regulation insert	483-3	-

For more spare parts and accessories see single units.

Technical data

	Size I		Size II		
	G ^{1/4}	G ^{3/8}	G ^{1/2}	G ^{3/4}	G ¹ **
Connection threads	G ^{1/4}	G ^{3/8}	G ^{1/2}	G ^{3/4}	G ¹ **
Nominal rates of flow (NI/min)*	1500	1800	3400	5000	5000
Filter porosity	40µm (optionally available: 5µm)				
Max. operating pressure (p₁)	16bar/(20bar with metal bowl / 12 bar with internal automatic drain valve)				
Secondary pressure (p₂) max.	10bar (opt. 6, 16bar)				
Max. operating temperature	50 °C / 80 °C with metal bowl and metal oil regulating valve				
Volume of condensate	25 cm ³		85 cm ³		
Drain valve	manually operated (opt.: semi-automatic, automatic)				
Oil volume	50 cm ³		125 cm ³		
Lubricator function	> 50l/min		> 150l/min		
Material	- housing		zinc alloy		
	- bowl		polycarbonate		
	- seals		NBR		
Weight (without gauge)	720g		2070g	2070g	2530g

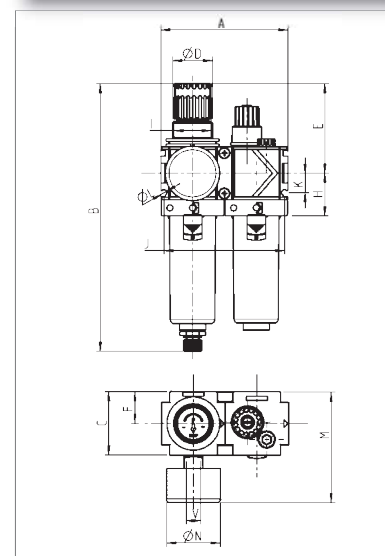
* Measured at 10 bar pre-pressure (p₁), 6bar secondary pressure (p₂) and Δp = 1 bar acc. to DIN ISO 6953

** Inlet and outlet only with mounting plates set G1 (included, see page 72)

Recommended oil see page 63.



Cover in individual color available upon request (standard: grey!)



Dimensions [mm]

Size	I	II	
Connection thread	G ^{1/4} , G ^{3/8}	G ^{1/2} , G ^{3/4}	G ¹ **
A	96	140	195
B	203	273	273
C	48	70	70
D (ø)	28	39	39
E	68	98	98
F	24	35	35
H	32	44	44
I	M30x1,5	M42x1,5	M42x1,5
J	91	132	132
K	14,5	18	18
L (ø)	4,4	5,4	5,4
M	84	106	106
N (ø)	40	50	50
V	G ^{1/4}	G ^{1/4}	G ^{1/4}

Drain valves see page 74 and chapter 8
Fixing and assembling options see page 72 seq.

Rates of flow

