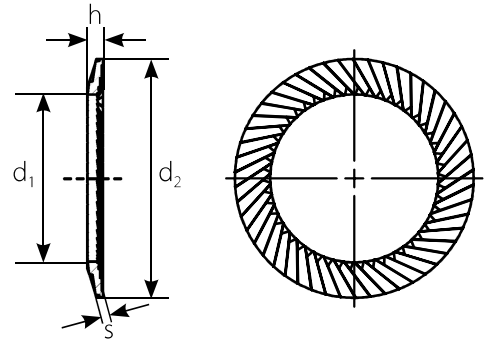


Original SCHNORR® safety washer type „S“

The Original SCHNORR® safety washer „S“ is suitable for normal requirements and available for bolt sizes from M 1,6 to M 36 in grades up to 8.8. Please enquire should you require an item with different dimensions, material or surface treatment.

Explanations on the table:

Article-no.:	applies to the normal version made of spring steel, hardened, blackened; mechanically plate
h max.:	maximum dimension as delivered
h min.:	minimum dimension after load test
Available material gra.:	spring steel acc. to DIN EN 10132-4; corrosion-resistant steel 1.4301; Phosphorus Bronze CuSn8; nickel cobalt alloy; creep-resistant steel 1.4122; Inconel
Surface treatments:	blackened (standard), bronzed, phosphated, zinc-coated, zinc lamellar coatings



Sketch of an original SCHNORR® safety washer type „S“:

Size 8 made of spring steel = safety washer S 8 FSt.

Original SCHNORR® safety washers type „S“ material C60S (1.1211)

Article-number/ Order reference	Finish	Size		Ordering dimensions				Packaging	
		Nominal size [mm] [Inch]	d ₁ [mm]	d ₂ [mm]	s [mm]	h _{min.} [mm]	h _{max.} [mm]	Unit [pcs.]	Weight per 1000 pieces [kg]
402300	blackened	1,6	1,7	3,2	0,35	0,4	0,6	2000	0,013
450 000	Gal.Zn8 + passivation								
404 400	blackened	2,0	2,2	4,0	0,35	0,40	0,6	2000	0,021
450 100	Gal.Zn8 + passivation								
406 800	blackened	2,5	2,7	4,8	0,45	0,50	0,9	2000	0,039
450 200	Gal.Zn8 + passivation								
409 400	blackened	3,0	3,2	5,5	0,45	0,50	0,9	2000	0,049
450 300	Gal.Zn8 + passivation								
411 200	blackened	3,5	3,7	6,0	0,50	0,55	0,9	2000	0,055
450 400	Gal.Zn8 + passivation								
412 700	blackened	4,0	4,3	7,0	0,50	0,55	1,0	1000	0,085
450 500	Zn8M + passivation								
414 500	blackened	5,0	5,3	9,0	0,60	0,60	1,1	1000	0,167
450 600	Zn8M + passivation								
416 300	blackened	6,0	6,4	10,0	0,60	0,70	1,2	1000	0,200
450 700	Zn8M + passivation								
418 100	blackened	6,35	6,7	9,5	0,60	0,65	1,2	1000	0,150
450 800	Zn8M + passivation								
419 200	blackened	7,0	7,4	12,0	0,70	0,80	1,3	1000	0,355
450 900	Zn8M + passivation								
420 400	blackened	8,0	8,4	13,0	0,70	0,90	1,4	1000	0,392
451 000	Zn8M + passivation								
423 000	blackened	10,0	10,5	16,0	0,90	1,10	1,6	1000	0,750
451 100	Zn8M + passivation								
425 100	blackened	11,1	11,6	15,9	0,90	1,05	1,6	500	0,595
451 200	Zn8M + passivation								
426 200	blackened	12,0	13,0	18,0	1,00	1,15	1,7	500	0,879
451 300	Zn8M + passivation								
427 900	blackened	12,7	13,7	19,0	1,00	1,25	1,8	500	0,976
451 400	Zn8M + passivation								
429 100	blackened	14,0	15,0	22,0	1,10	1,35	2,0	500	1,641
451 500	Zn8M + passivation								
430 700	blackened	16,0	17,0	24,0	1,20	1,55	2,1	500	1,984
451 600	Zn8M + passivation								