

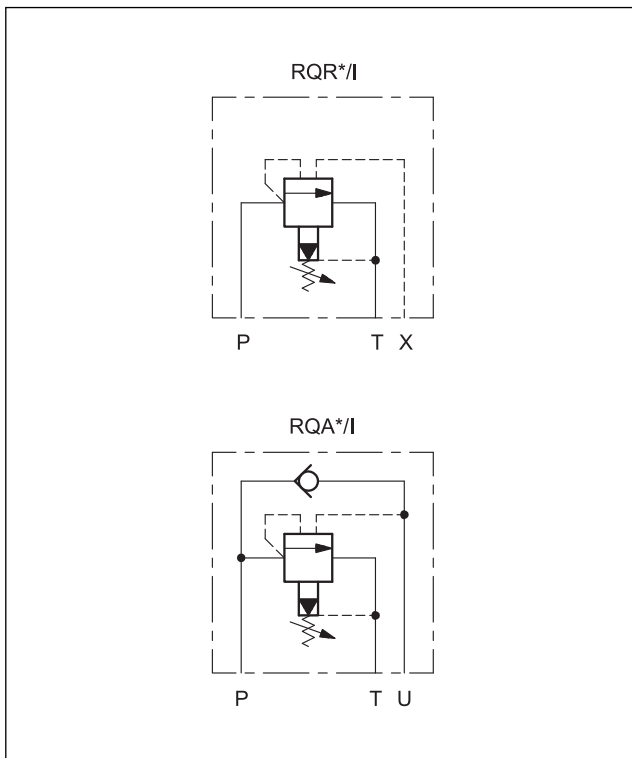
RQ-P**
UNLOADING VALVE
(FOR CIRCUITS WITH ACCUMULATOR)
SERIES 42

RQR*-P
FOR REMOTE PILOTING

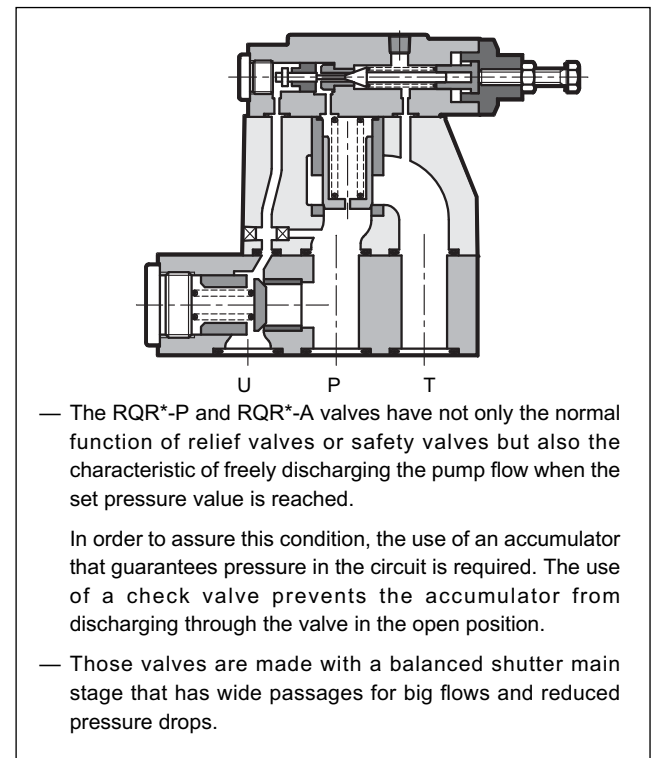
RQA*-P
WITH INCORPORATED CHECK VALVE

SUBPLATE MOUNTING

HYDRAULIC SYMBOLS



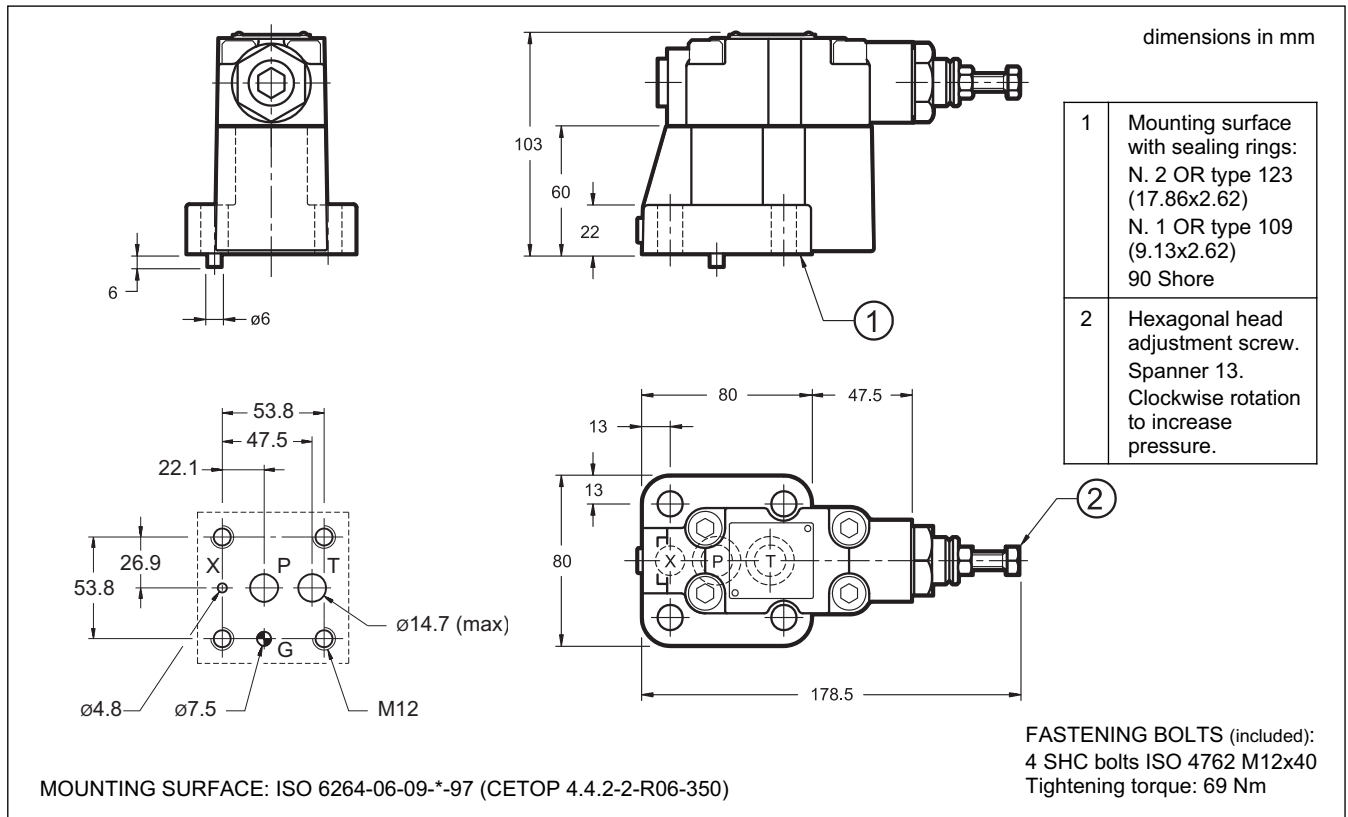
OPERATING PRINCIPLE



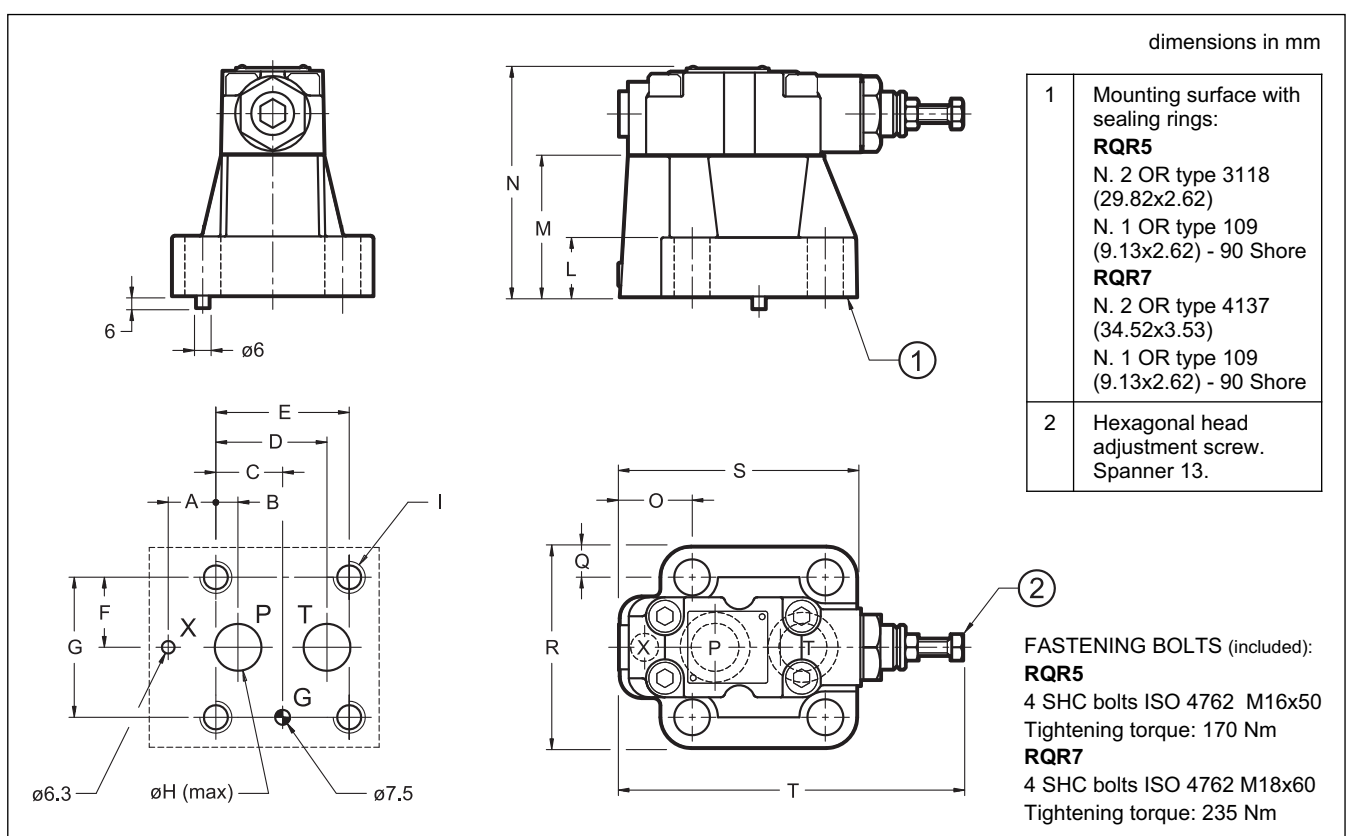
PERFORMANCES (measured with mineral oil of viscosity 36 cSt at 50°C)

| | | RQR3-P | RQR5-P | RQR7-P | RQA5-P | RQA7-P |
|----------------------------|-------|---|---------------|---------------|---------------|---------------|
| Maximum operating pressure | bar | 350 | | | 320 | |
| Maximum flow rate | l/min | 200 | 400 | 500 | 400 | 500 |
| Ambient temperature range | °C | -20 / +50 | | | | |
| Fluid temperature range | °C | -20 / +80 | | | | |
| Fluid viscosity range | cSt | 10 ÷ 400 | | | | |
| Fluid contamination degree | | According to ISO 4406:1999 class 20/18/15 | | | | |
| Recommended viscosity | cSt | 25 | | | | |
| Mass | Kg | 3,5 | 4,3 | 6,5 | 10,4 | 19 |

4 - RQR3-P OVERALL AND MOUNTING DIMENSIONS

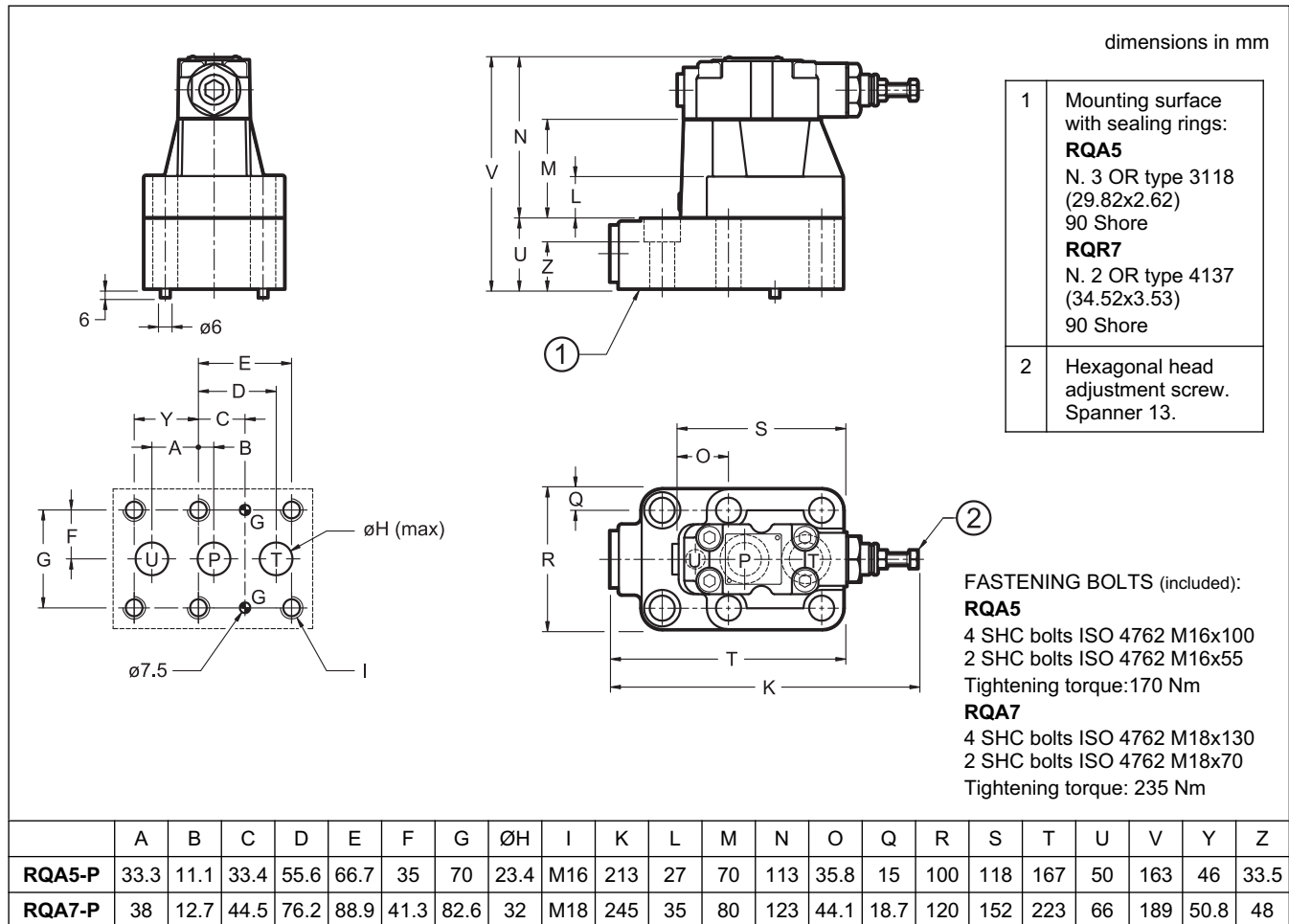


5 - RQR5-P and RQR7-P OVERALL AND MOUNTING DIMENSIONS



| | MOUNTING SURFACE | A | B | C | D | E | F | G | ØH | I | L | M | N | O | Q | R | S | T |
|---------------|---|------|------|------|------|------|------|------|------|-----|----|----|-----|------|------|-----|-----|-----|
| RQR5-P | ISO 6264-08-13-*97 (CETOP 4.4.2-R08-350) | 23.8 | 11.1 | 33.4 | 55.6 | 66.7 | 35 | 70 | 23.4 | M16 | 27 | 70 | 113 | 35.8 | 15 | 100 | 118 | 170 |
| RQR7-P | ISO 6264-10-17-*97 (CETOP 4.4.2-R10-350) | 31.8 | 12.7 | 44.5 | 76.2 | 88.9 | 41.3 | 82.6 | 32 | M18 | 35 | 80 | 123 | 44.1 | 18.7 | 120 | 152 | 180 |

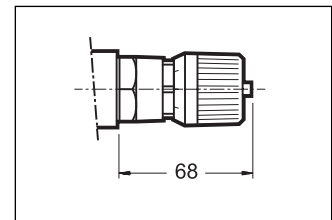
6 - RQA5-P and RQA7P OVERALL AND MOUNTING DIMENSIONS



7 - ADJUSTMENT KNOB

The valves can be equipped with a SICBLOC adjustment knob. To operate it, push and rotate at the same time.

To request this option, add: /M (see paragraph 1).



8 - SUBPLATES (see catalogue 51 000)

| | RQR3-P | RQR5-P | RQR7-P | RQA5-P | RQA7-P |
|--------------------------|----------------------------|-----------------------|-----------------------|------------------------|------------------------|
| Type | PMRQ3-AI4G rear ports | PMRQ5-AI5G rear ports | PMRQ7-AI7G rear ports | PMRQA5-AI5G rear ports | PMRQA7-AI7G rear ports |
| P, T, U ports dimensions | P: 1/2" BSP T: 3/4" BSP | 1" BSP | 1" 1/4 BSP | 3/4" BSP | 1" 1/4 BSP |
| X port dimension | 1/4" BSP | 1/4" BSP | 1/4" BSP | - | - |