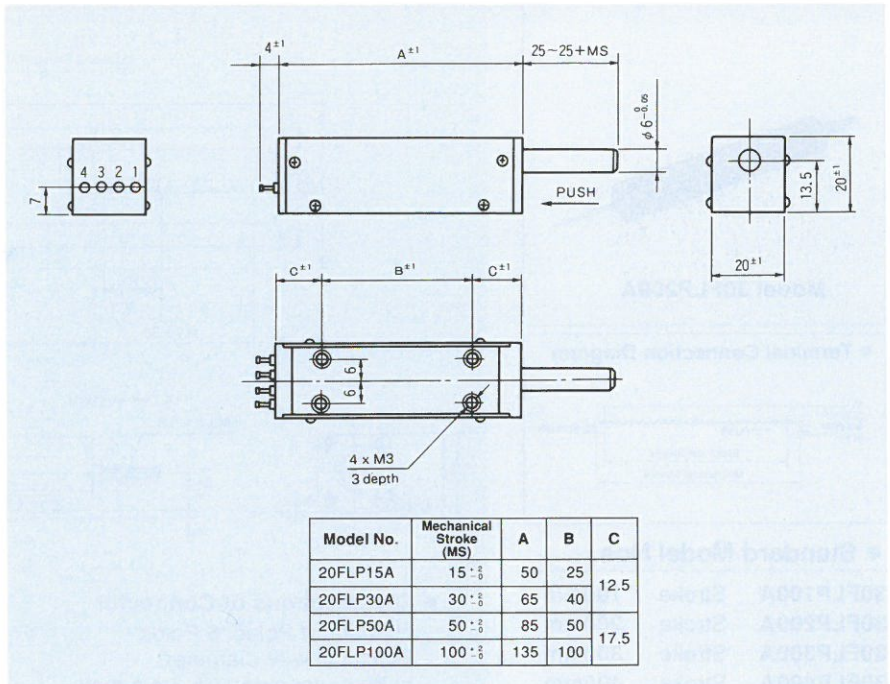


● Standard Dimensions



● Standard Model Nos.

20FLP15A	Stroke	15mm
20FLP30A	Stroke	30mm
20FLP50A	Stroke	50mm
20FLP100A	Stroke	100mm

● General Specifications

Model No.	20FLP15A	20FLP30A	20FLP50A	20FLP100A
Standard Resistance Values	500, 1k, 2k, 5k, 10k (Ω)	500, 1k, 2k, 5k, 10k (Ω)	500, 1k, 2k, 5k, 10k (Ω)	1k, 2k, 5k, 10k, 20k (Ω)
Total Resistance Tolerance	± 10% (K)	± 10% (K)	± 10% (K)	± 10% (K)
Independent Linearity Tolerance	Standard Class	± 1.0%	± 1.0%	± 0.5%
	Precision Class	± 0.5%	± 0.5%	± 0.3%
Resolution	Essentially infinite			
Output Smoothness	Below 0.1% against input voltage			
Contact Resistance Variation	Below 2% C.R.V.			
Power Rating	0.3W	0.6W	0.75W	1.25W
Electrical Stroke	15 ± 0.5mm	30 ± 0.5mm	50 ± 0.5mm	100 ± 0.5mm
Mechanical Stroke	15 ± 0.5 mm	30 ± 0.5 mm	50 ± 0.5 mm	100 ± 0.5 mm
Insulation Resistance	Over 1,000MΩ at 1,000V.D.C.			
Dielectric Strength	1 minute at 1,000V.A.C.			
Friction	Below 0.5N (50gf)	Below 0.5N (50gf)	Below 1N (100gf)	Below 1N (100gf)
Stopper Strength	Approx. 90N (9kgf)			
Resistance Temperature Coefficient	± 400p.p.m./°C			
Weight	Approx. 50g	Approx. 50g	Approx. 80g	Approx. 120g

● Special Specifications Available

Stroke 150mm (S20FLP150A), Stroke 200mm (S20FLP200A), Extra taps (Available up to 1 tap), With a connector, Spring return device incorporated (Friction is approx. 3N [300gf].), Shaft with front and rear extension (Rear shaft with 4mm dia. and 25mm length), Special machining on the shaft.