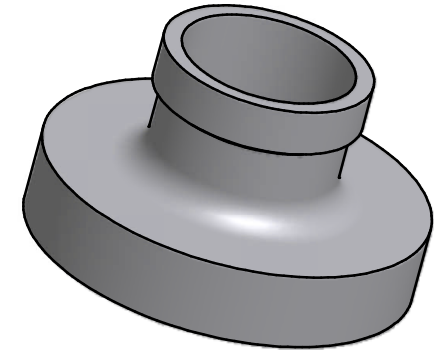
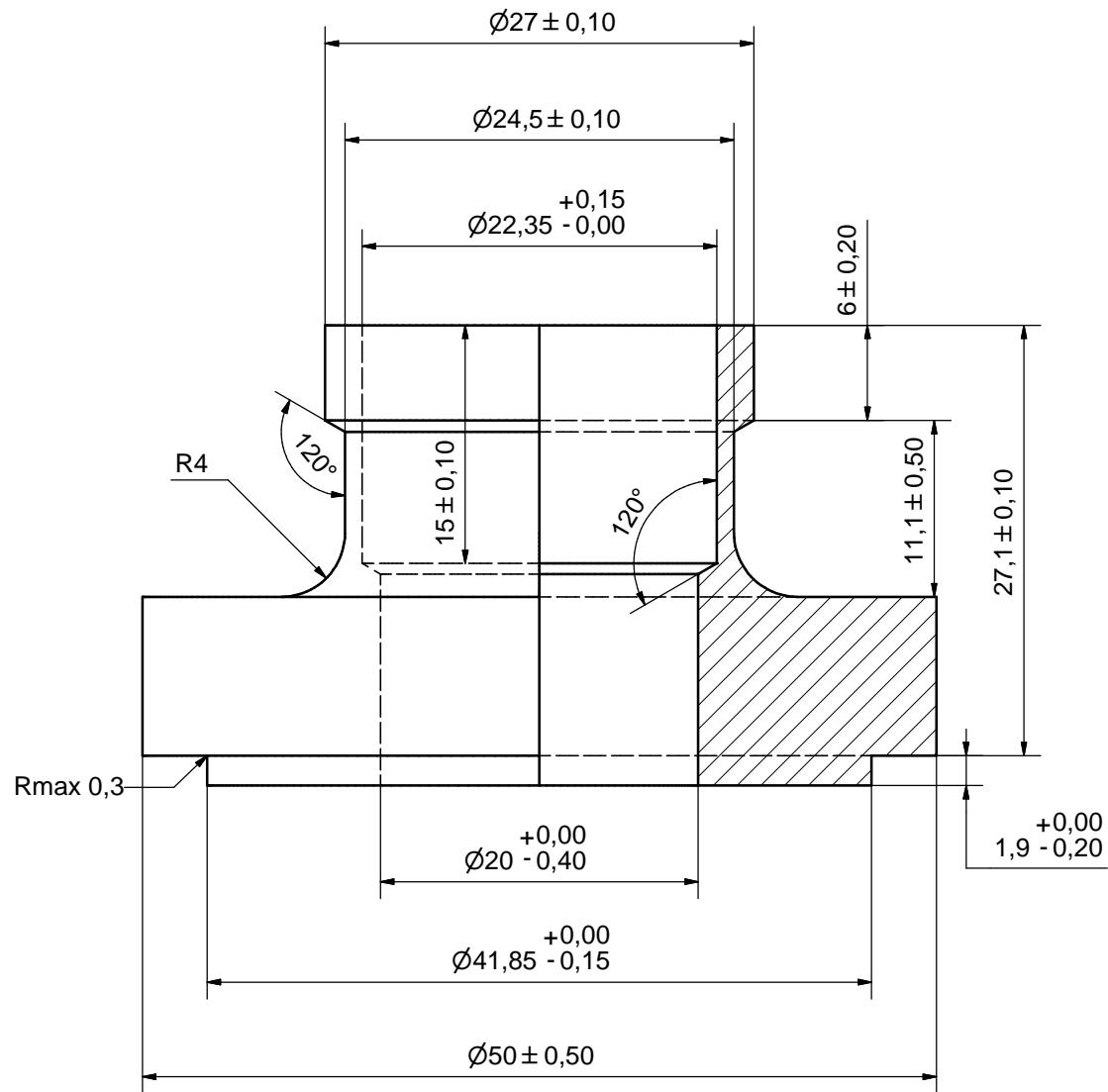


Rev No.	Alteration	Date	Checked	Approved
9	DEBURRING INFO ADDED	2009/03/10	TL	PDM



SHARP EDGES DEBURRED MAX 0,4

ACCORDING TO MQS
MATERIAL

Drawn	Checked	Approved	Created Date	General geometrical tolerancing ISO 2768	General surface finish R_a	Scale
TM	BOS	BOS	1993-05-28	m	3.2	-
Title				SOLDER 22U		
Article number		Drawing number	Revision	Sheet		
-		CD000017	9	1 (1)		