

## Position switch BC-PSI 222

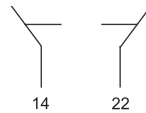
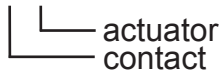
### Description

Position switch Type BC-PSI 222 is characterised by a high robustness of the body (diecasting) and the actuator (stainless steel). Because of a huge assortment of actuators, plungers and contacts, the position switch can be utilised in almost any situation, e.g. a typical task is the control of assembly lines.

- Stainless steel actuators
- Switching with snap action and slow action for most precise switching
- Usable in an array of temperatures from -20°C up to +60°C
- Metrical insertion M20
- Standard: quick release contact 5 (1 NO + 1 NC)



Product key:  
BC-PSI 222.\*.\*\*



Snap action 1 NO + 1 NC

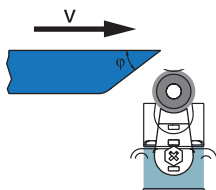
### Specifications

Ambient temperature: -20°C to +60°C  
 Protection type: IP 67 (EN 60529)  
 Connections: Metrical M20  
 Design: DIN 50047

Materials Body: Diecasting  
 Actuators: Synthetics / stainless steel

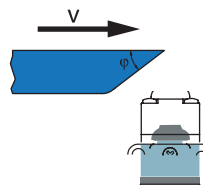
Mining: I M2 Ex ia I Mb  
 Chemistry: II 2G Ex ia IIC T6 Gb  
 Certificate: DMT 02 ATEX E 124

BC-PSI 222.\*.31



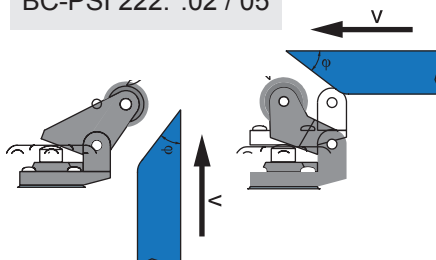
$\varphi$	Vmax (m/s)	Vmin (mm/s) [L]	Vmin (mm/s) [R]
15°	2,5	9	0,07
30°	1,5	8	
45°	1	7	
60°	0,75	7	

BC-PSI 222.\*.15



$\varphi$	Vmax (m/s)	Vmin (mm/s) [L]	Vmin (mm/s) [R]
15°	1	4	0,04
30°	0,5	2	0,02
45°	0,3	1	0,01

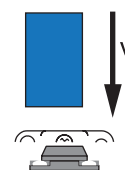
BC-PSI 222.\*.02 / 05



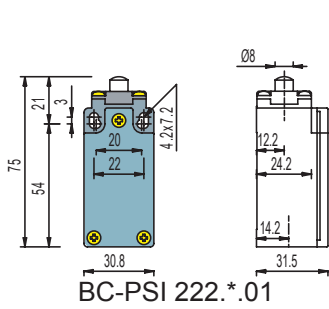
$\varphi$	Vmax (m/s)	Vmin (mm/s) [L]	Vmin (mm/s) [R]
15°	1	5	0,05
30°	0,5	2,5	0,025
45°	0,3	1,5	0,015

[R] Snap action [L] slow action

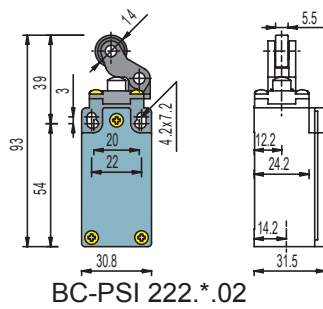
BC-PSI 222.\*.31



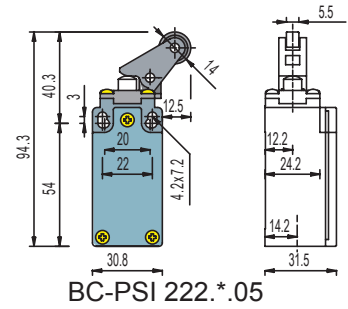
Vmax (m/s)	Vmin (mm/s) [L]	Vmin (mm/s) [R]
0,5	1	0,01



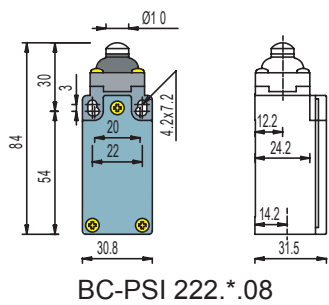
BC-PSI 222.\*.01



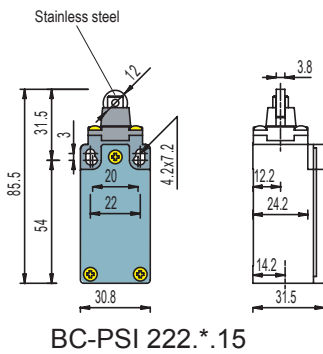
BC-PSI 222.\*.02



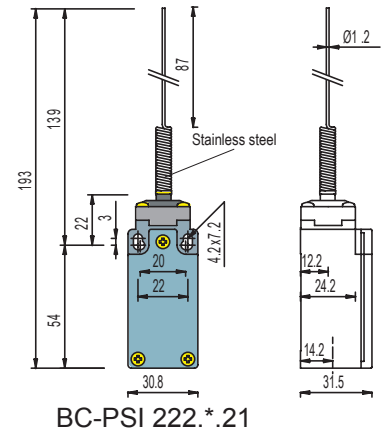
BC-PSI 222.\*.05



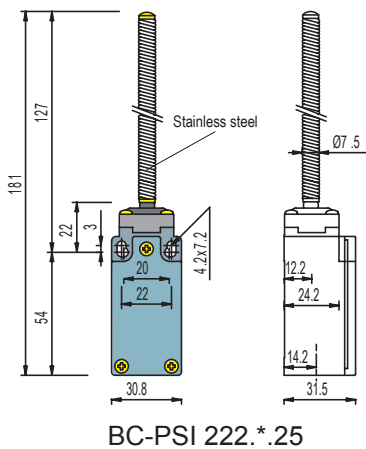
BC-PSI 222.\*.08



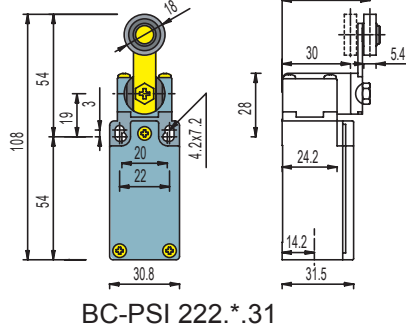
BC-PSI 222.\*.15



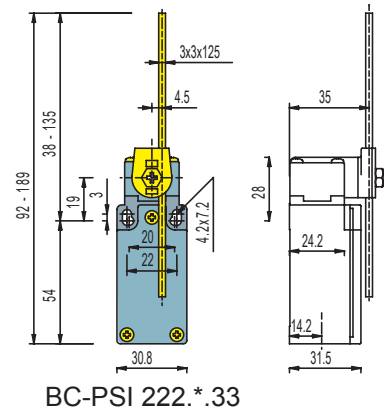
BC-PSI 222.\*.21



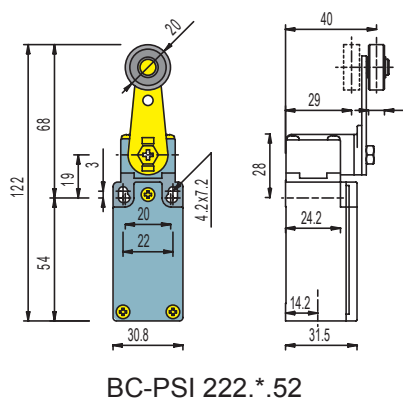
BC-PSI 222.\*.25



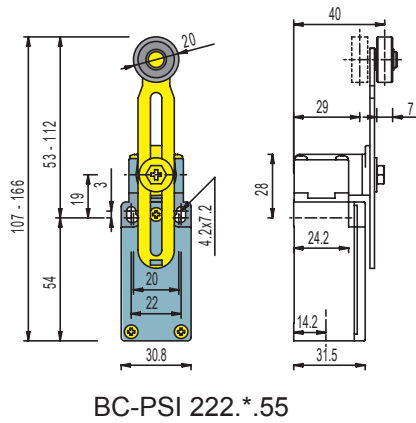
BC-PSI 222.\*.31



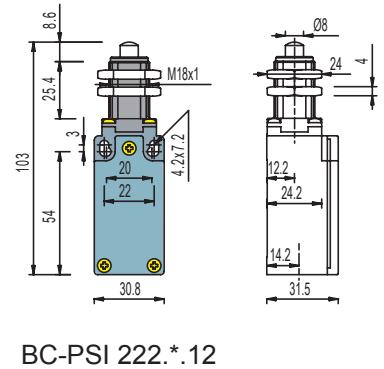
BC-PSI 222.\*.33



BC-PSI 222.\*.52



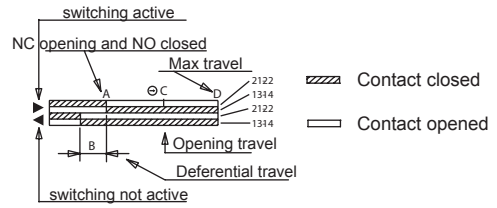
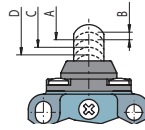
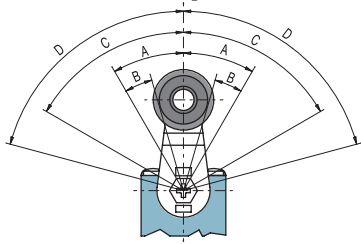
BC-PSI 222.\*.55



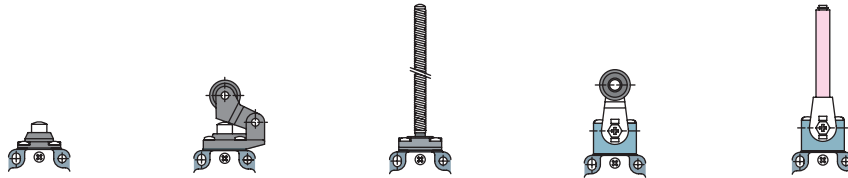
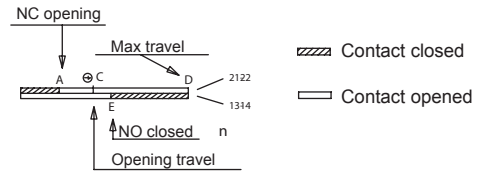
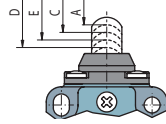
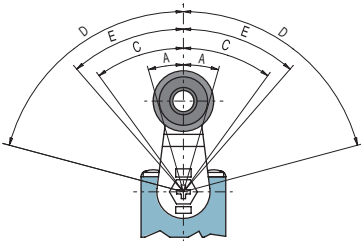
BC-PSI 222.\*.12

# Contactblocks for position switch BC-PSI 422

snap action



slow action



Contact block

<b>5</b> 1NO+1NC						
<b>6</b> 1NO+1NC						
<b>7</b> 1NO+1NC						
<b>9</b> 2NC						
<b>10</b> 2NO						
<b>11</b> 2NC						
<b>12</b> 2NO						
<b>13</b> 2NC						
<b>14</b> 2NC						
<b>15</b> 2NO						
<b>18</b> 1NO+1NC						
<b>20</b> 1NO+2NC						
<b>21</b> 3NC						
<b>22</b> 2NO+1NC						
<b>33</b> 1NO+1NC						
<b>34</b> 2NC						