



Model Number

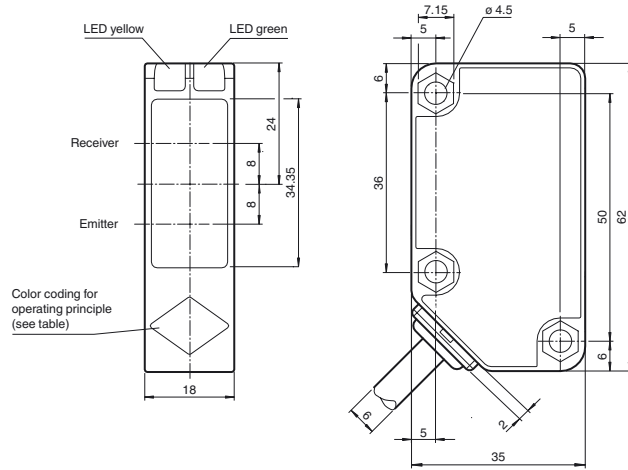
RLK31-8-2500-IR/31/115

Diffuse mode sensor
with 2 m fixed cable

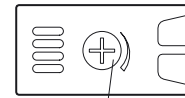
Features

- Operating voltage AC / DC
- Highly visible LED
- Relay output, 1 potential free alternator
- Compact and stable housing
- Protection class II

Dimensions



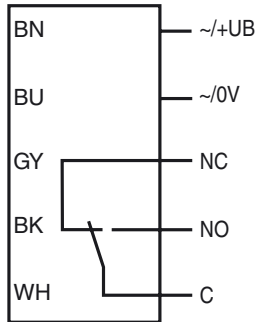
| Operating principle | color |
|--|-------|
| Retroreflective sensor | green |
| Retroreflective sensor without polarization filter | blue |
| Diffuse type sensor | white |
| Thru-beam sensor | grey |
| Convergent beam sensor | red |



Sensing range adjustment

Electrical connection

Option:



Technical data**General specifications**

| | |
|----------------------------|--------------------------------------|
| Detection range | 0 ... 2500 mm adjustable |
| Reference target | standard white 200 mm x 200 mm |
| Light source | IREL |
| Light type | modulated infrared light , 850 nm |
| Polarization filter | no |
| Diameter of the light spot | approx. 50 mm at a distance of 2.5 m |
| Angle of divergence | 2 ° |
| Ambient light limit | 50000 Lux ; according EN 60947-5-2 |

Functional safety related parameters

| | |
|--------------------------------|-------|
| MTTF _d | 790 a |
| Mission Time (T _M) | 20 a |
| Diagnostic Coverage (DC) | 0 % |

Indicators/operating means

| | |
|---------------------|---|
| Operation indicator | LED green: power on |
| Function indicator | LED yellow, lights up with receiver lit |
| Control elements | Detection range adjuster |

Electrical specifications

| | | |
|------------------------|----------------|------------------------------------|
| Operating voltage | U _B | 24 ... 240 V AC 12 ... 240 V DC |
| No-load supply current | I ₀ | ≤ 40 mA |
| Power consumption | P ₀ | ≤ 2 VA |

Output

| | | |
|---------------------|--------------------------------|---------|
| Switching type | light on | |
| Signal output | Relay, 1 alternator | |
| Switching voltage | max. 240 V AC/DC | |
| Switching current | max. 3 A | |
| Switching power | DC: max. 150 W AC: max. 750 VA | |
| Switching frequency | f | ≤ 20 Hz |
| Response time | | ≤ 25 ms |

Ambient conditions

| | |
|---------------------|--------------------------------|
| Ambient temperature | -25 ... 55 °C (-13 ... 131 °F) |
| Storage temperature | -40 ... 70 °C (-40 ... 158 °F) |

Mechanical specifications

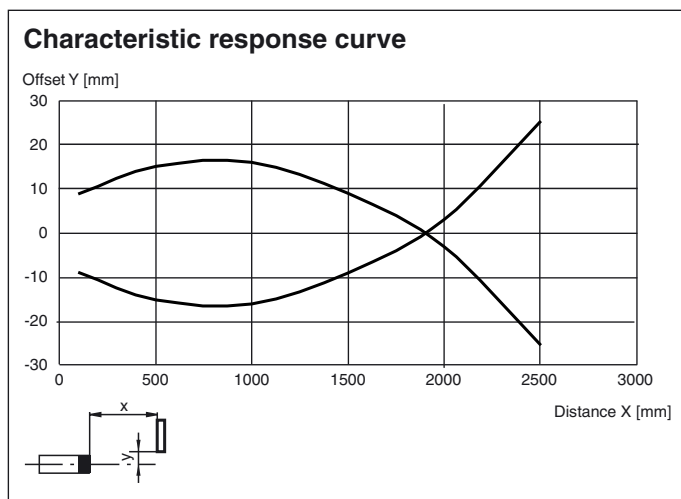
| | |
|----------------------|--------------------------|
| Degree of protection | IP67 |
| Connection | 2 m fixed cable , 5-wire |
| Material | |
| Housing | Polycarbonate |
| Optical face | PMMA |
| Mass | 155 g |

Compliance with standards and directives

| | |
|---------------------|---|
| Standard conformity | |
| Product standard | EN 60947-5-2:2007 IEC 60947-5-2:2007 |
| Standards | EN 62103 |

Approvals and certificates

| | |
|------------------|--|
| Protection class | II , rated voltage ≤ 250 V AC with pollution degree 1-2 according to IEC 60664-1 Output circuit basis insulation of input circuit according to EN 50178, rated insulation voltage 240 V AC |
| CCC approval | Certified by China Compulsory Certification (CCC) |

Curves/Diagrams**Accessories**

OMH-RL31-01
Mounting bracket

OMH-RL31-02
Mounting bracket narrow

OMH-RL31-03
Mounting bracket narrow

OMH-RL31-04
Mounting aid for round steel ø 12 mm or sheet 1.5 mm ... 3 mm

OMH-RL31-05
Mounting bracket with M10 threaded rod

OMH-RL31-06
Stainless steel mounting bracket with adjustable half clamp on the side

Additional accessories can be found in the Internet.

