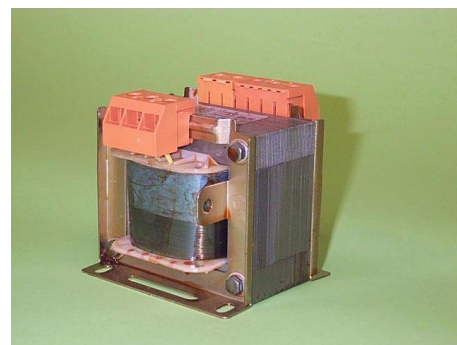


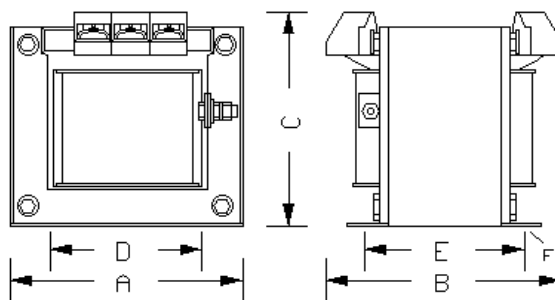
### Single phase control transformers TE range

natural air cooling type AN, suitable for indoor use  
copper galvanically isolated windings



#### Technical Specification:

Rated power:	<b>30VA</b>
Input voltage:	<b>200-230-400V</b>
Output voltage:	<b>24V + FUSE</b>
Output current	<b>1 A</b>
Regulation	<b>&lt; 5%</b>
Frequency:	<b>50/60 Hz</b>
Protection:	<b>IP00</b>
Protection class:	<b>I</b>
Isolation class:	<b>E</b>
Ambient temperature:	<b>40°C</b>
Max temperature rise:	<b>60°C</b>
Max regulation:	<b>3,5%</b>
Short circuit voltage:	<b>5% max</b>
Efficiency	<b>&gt; 97%</b>
Cooling	<b>AN</b>
Relative humidity	<b>95%</b>
Max altitude	<b>up to 1000mt. above sea level</b>
Applied standards:	<b>EN61558-2-1 CEI 96-4</b>



Part no.	Power	Pri V	Sec V	Rated A	Dimensions mm.	Weight Kg.
<b>TE0011292_F</b>	<b>30VA</b>	<b>200-230-240</b>	<b>24</b>	<b>1</b>	<b>77x80x75</b>	<b>1</b>