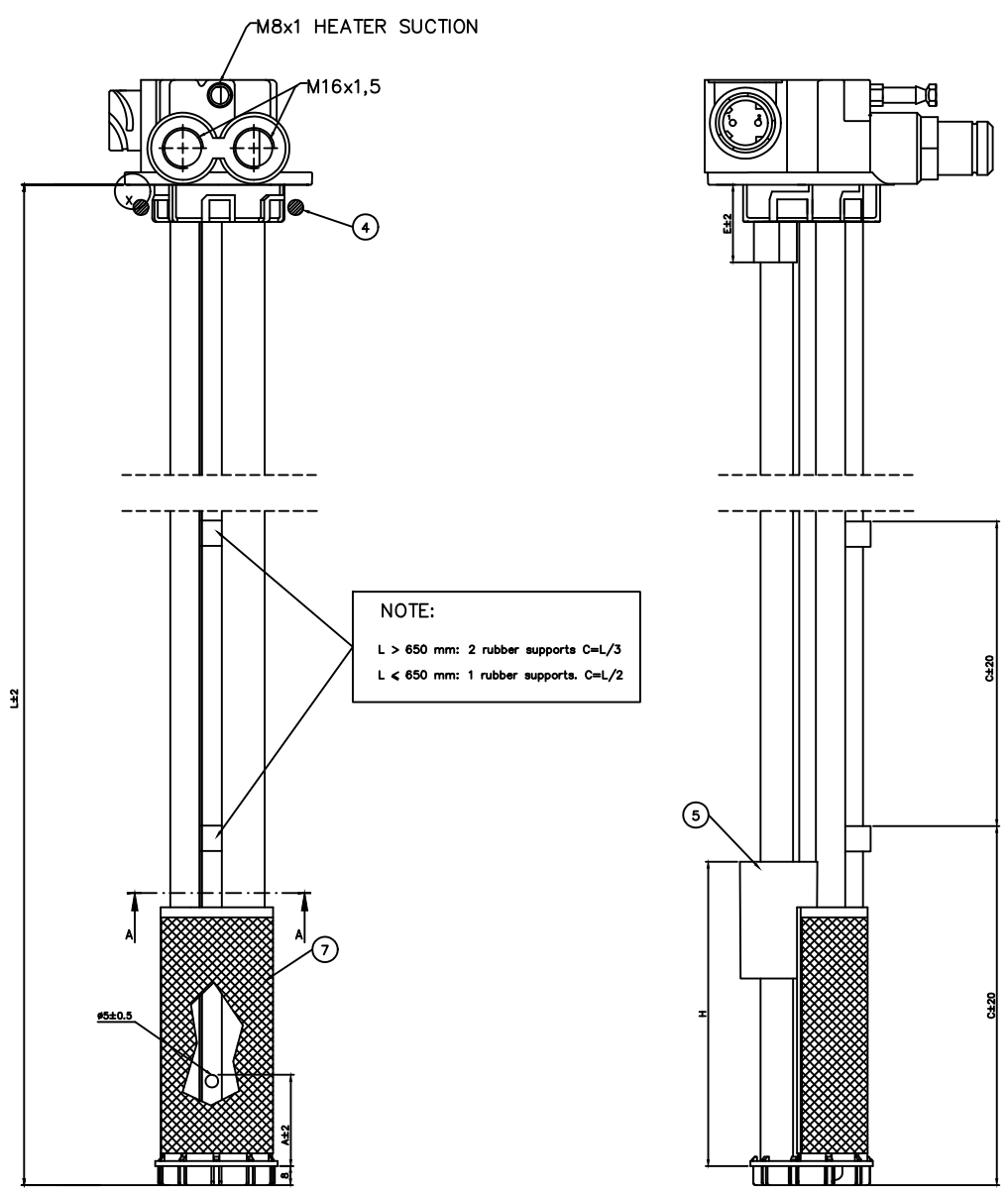
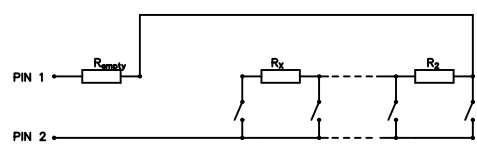
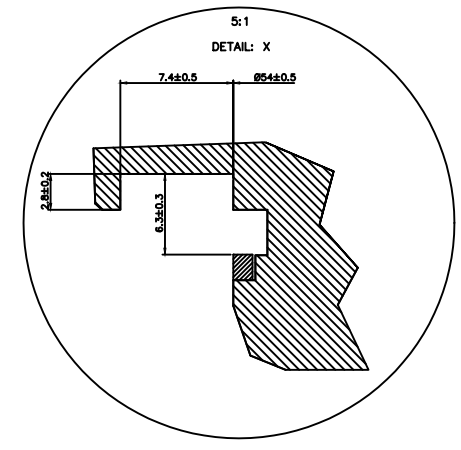


AD Type head

REV	CH. ORDER	DATE	CHANGE	BY
A	WMA-X	09/05/2017	NEW DRAWING	DGS



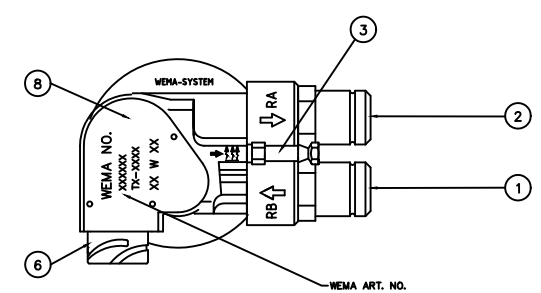
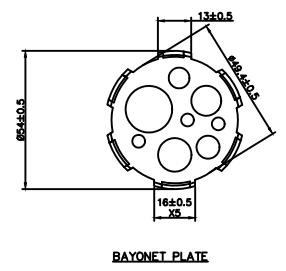
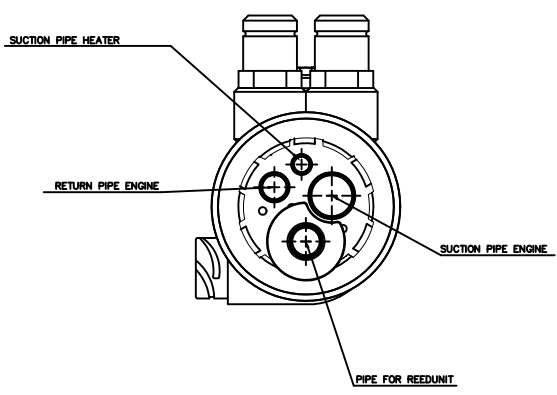
CONNECTOR	
PIN 1	SIGNAL
PIN 2	SIGNAL
PIN 3	NOT CONNECTED, CLOSED BY SEAL
PIN 4	NOT CONNECTED, CLOSED BY SEAL



PRODUCT SPECIFICATIONS

Profilttype :	Wema art.no	Type
1. Return pipe engine	006213	M16x1,5
2. Suction pipe engine	006213	M16x1,5
3. Suction pipe heater	006143	M8/Ø6
4. O-ring, type / dim.	016005	55 x 6.0
5. Float, type	021085	46 mm
6. DIN. Con 1/2	008070	
7. Filter	085091	Std
8. Cover	019796	AD cover

WEMA ART.NO.	
20000199-00	
SUPPLIER ART.NO.	
20000904-00	
TX-X740	
RUA=20000659-00	
2794-42-31	
R (ohm)	H (mm)
42.0	>685
58.0	685
74.0	664
90.0	643
106.0	622
122.0	601
156.0	580
190.0	559
224.0	538
258.0	517
292.0	496
326.0	475
360.0	454
394.0	433
428.0	412
462.0	391
562.0	370
662.0	349
762.0	328
756.0	307
862.0	286
962.0	265
1 062.0	244
1 162.0	223
1 262.0	202
1 362.0	181
1 567.0	160
1 977.0	139
2 182.0	118
2 387.0	97
2 592.0	76
2 797.0	55



PROFILE SPEC.:

L = 740 mm	
E = 27 mm	
A = 44 mm	

SPECIFICATIONS.

- Can be mounted in fuel tanks made of steel-, aluminum or thermoplastics.
- Thickness of tank attachment plate 1.7-2.5
- Max el. ratings: Pmax = 125 mW
Umax = 48 VDC
Imax = 300 mA
- Operating temperature: -40 C to +85 C
or max. 1 hour 95 C in air
- Torque on nipples (motor): 23Nm
- Torque on nipples: Air pipe and heater pipes, min. 2, max. 3 Nm.
- Sensor may be used with: Arctic diesel
Diesel (DIN EN 590)
RME (DIN V 51605)
- and additives of: Gasoline
Kerosene
Methanol
Ethanol
- Sensor to be mounted as described in mounting instruction INS-KDINF-001
- Do not use if dropped
- Surface treatment (head): ED treatment

TOLERANCE FLOAT DESCENDING : H ± 5mm TOLERANCE RESISTANCE v.s TEMP. ±100ppm
RESISTANCE TOLERANCE AT 20C : R-out ±(1 ohm + 1.5% of R-out)

DATE	CONSTR./DRAW	SCALE	WEMA-SYSTEM A/S
2017-05-26	DGS	F	BERGEN - NORWAY
FUEL TANK SENSOR			DRAWING NO. 20000199-00
CHECKED BY	STATUS		