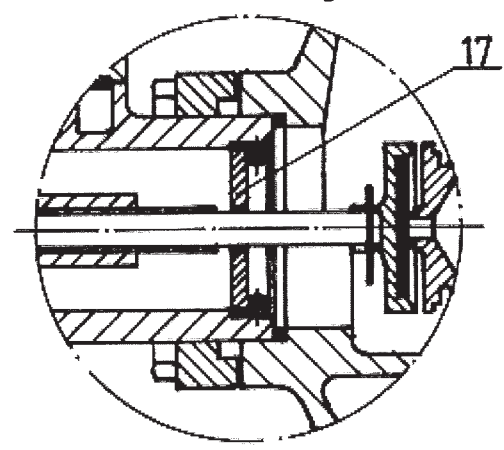
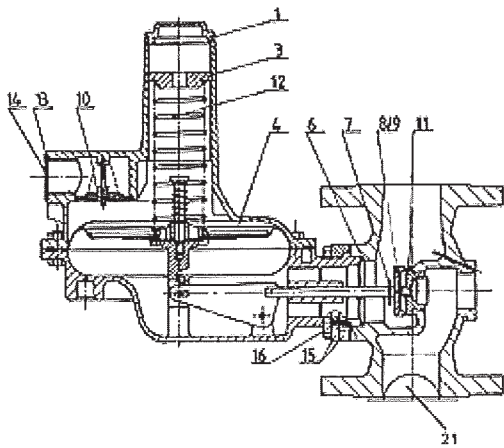
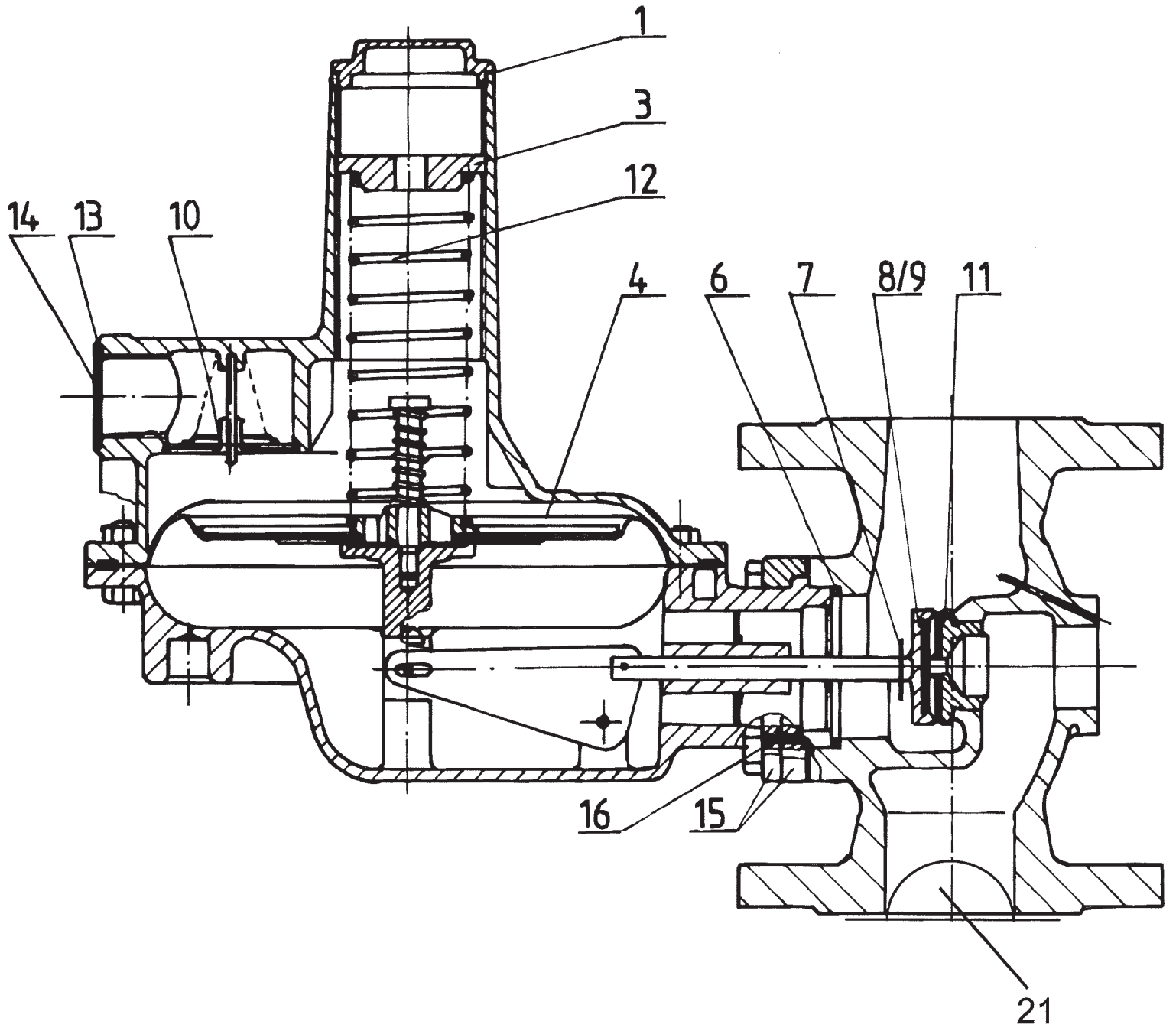
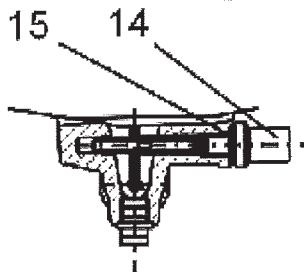
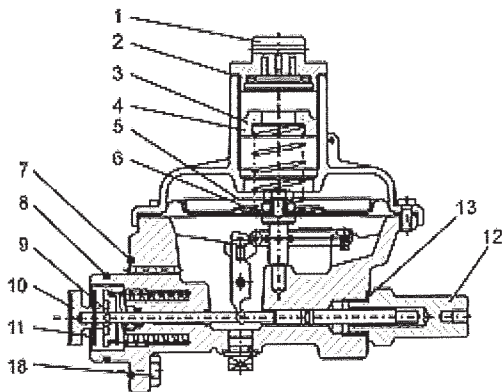


with and w/o. SRV and SSV



1	gasket cap	140-666-00	1	0
3	adjusting screw	118-155-00	1	0
4	diaphragm	131-250-50	1	0
6	gasket valve body	939-040-75	1	0
7	split pin valve disc	130-283-00	1	0
8	valve disc 10° standard	131-284-50	1	0
9	valve disc 30°	131-284-00	1	0
10	ventilation valve unit	110-230-05	1	0
11	orifice ¼" Ø 6,3 mm	131-513-01	1	0
11	orifice ½" Ø 12,5 mm	131-513-02	1	0
11	orifice ¾" Ø 20,0 mm	131-513-03	1	0
11	orifice 1" Ø 25,0 mm	131-513-04	1	0
11	orifice 3/8" Ø 10,0 mm	131-513-05	1	0
	sealant 'Paul-Seal', case á 150 gramm to paste in the orifice	892-502-10	1	0
12	Pressure spring	955-200-15	1	0
12	Pressure spring	955-200-16	1	0
12	Pressure spring	955-200-17	1	0
12	Pressure spring	955-200-18	1	0
13	sieve	131-269-00	1	0
14	locking ring	907-993-10	1	0
15	lapped flange	131-281-00	2	0
16	clamping sleeve	901-481-03	2	0
17	external impulse disc unit	131-290-00	1	0
21	sieve from August 2000	100-242-16	1	0
	maintenance kit	131E200-54	1	0
	recommended wear parts			





	1	cap unit	130-725-00	1	0
●	2	gasket cap	130-302-01	1	0
	3	plastic adjusting screw	100-241-00	1	0
	4	brass adjusting screw	100-241-02	1	0
●	5	diaphragm	100-208-00	1	0
●	6	ball bearing-spring washer	951-843-10	1	0
●	7	o-ring 43 x 2	951-800-14	1	0
●	8	o-ring 30 x 2	951-800-30	1	0
●	9	lock washer	906-799-02	1	0
●	10	valve disc	115-707-02	1	0
●	11	split pin	130-708-00	1	0
	12	closing plug	115-742-03	1	0
●	13	gasket closing plug	130-743-01	1	0
	14	thermal element	951-654-01	1	0
	15	o-ring 6 x 1,5 thermal element	951-800-03	1	0
	18	hexagon screw M6 x 16	900-933-67	4	0
		safety shut-off valve I unit without external impulse	E115-600-12	1	0
		safety shut-off valve I unit including external impulse	E115-600-11	1	0
		safety shut-off valve II unit without external impulse	E115-600-20	1	0
		safety shut-off valve II unit including external impulse	E115-600-21	1	0
		maintenance kit	115E600-11	1	0
●		recommended wear parts			

