

SWITCH BOX

AL 760-E4L

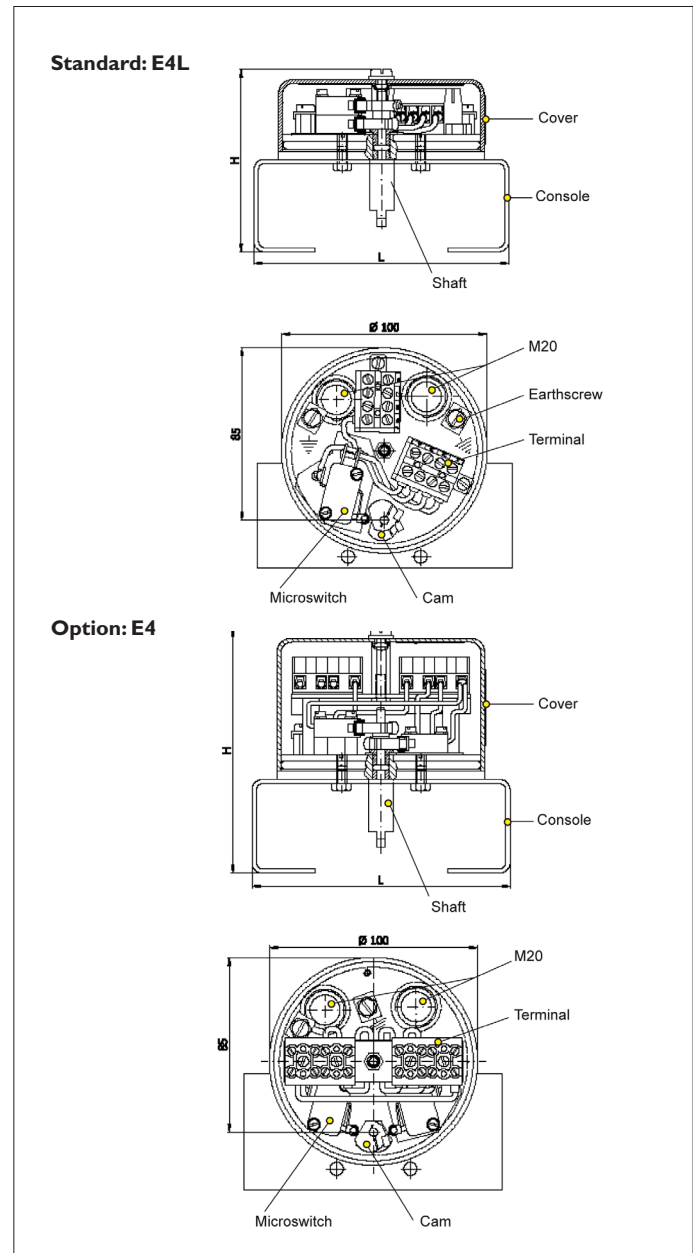
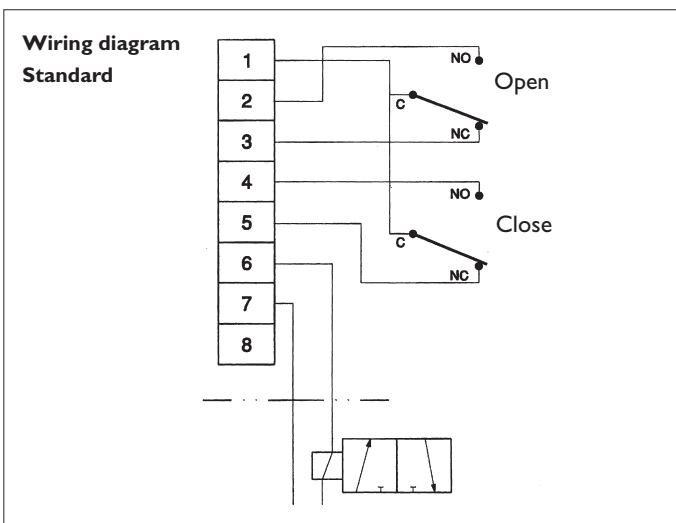
Description

AL760-E4L is a switch box for open and close position. The box is mounted with a bracket direct on quarter turn actuators with NAMUR VDI/VDE 3845 Interface. Switch position is fully adjustable with two cams. Two cable entrance M20. Cable connection for switches and solenoid valve inside box. E4L including one mechanical switch for open and one for close.

Option: Type E4, a higher version with more alternative configurations.

Material	Shaft, mounting bracket: Stainless steel Base plate: Anodized aluminium Cover: Aluminium, powder coated Epoxy
Min height to open cover	35 mm
Switches	Type V3 (2x), -25 to +80 °C
Load	6A 250 V ~, 0,6A 125V=, 0,3A 250V=
Protection class	IP 67
Special version with inductive sensors	IFM NS 5002 NAMUR IFM NS 5009 NAMUR IFM IS 5001 10-30V DC PNP 3-wire IFM IS 5026 5-36V DC 2-wire Quadronorm IFM IN 0081 20-250 AC/DC (E4) Pepperl + Fuchs NJ2-V3-N Pepperl + Fuchs NBB2-V3-E2

Actuator	Standard - E4L (inch)		Option - E4 (inch)	
	H	L	H	L
AL 77-210	90	68	120	68
AL 77-220 - AL 77-265	90	110	120	110
AL 77-270, AL 77-280, AL 77-88	100	160	130	160



Telephone +46 10 455 97 00 • sales@axel-larsson.se • www.axel-larsson.se

STOCKHOLM | GÖTEBORG | MOTALA | KARLSTAD | FALUN | SKELLEFTÅ

Head Office: Truckvägen 12, P.O. Box 805, SE-194 28 Upplands Väsby (Stockholm), Sweden.