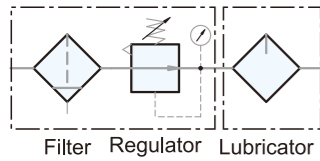


U Series F.R.L Combination

Filter Regulator + Lubricator (2 units style)

Symbol



Features

1. Remove water and particle effectively.
2. 40µm and 5µm filter element are easily interchangeable and replaceable.
3. Accurate and easy pressure setting.
4. Lubricator oil can be replenished without stopping air supply.
5. Oil spray in mist ensures good lubrication for machines.
6. Anti-acid & Alkali bowl and aluminum bowl provide excellent protection in organic chemistry working environments.
(Please contact our sales for more inquiries.)



*Lubricator oil (Recommended): ISO-VG32

How to order

| UFR/L - 02 | N | C | H | A | SB | |
|------------------------------|---|--------------------------------|--|---|--|---|
| F.R.L combination | Port size | Thread | Filtration | Drain | Bowl | Spacer block |
| Filter Regulator +Lubricator | 02 : 1/4" 03 : 3/8" 04 : 1/2" 06 : 3/4" 08 : 1" | Blank : G N : NPT R : Rc | PE Blank : 5µm C : 40µm Sintered brass S : 5µm T : 40µm | Blank : Semi-auto drain H : Manual drain D : Auto drain | Blank : Standard bowl A : Anti-acid & alkali bowl AL : Aluminum bowl | Blank : W/O spacer block SB : Spacer block |

Please contact our sales for non-relieving type.

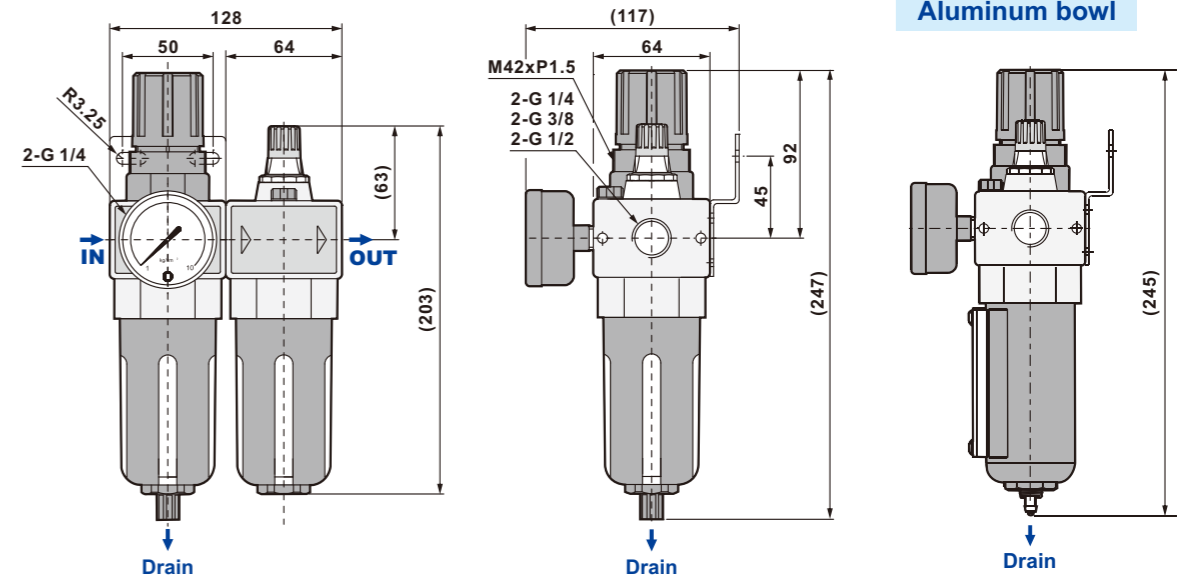
*For non-relieving type, the secondary pressure is not allowed to be exhausted when it is higher than setting pressure.

Specifications

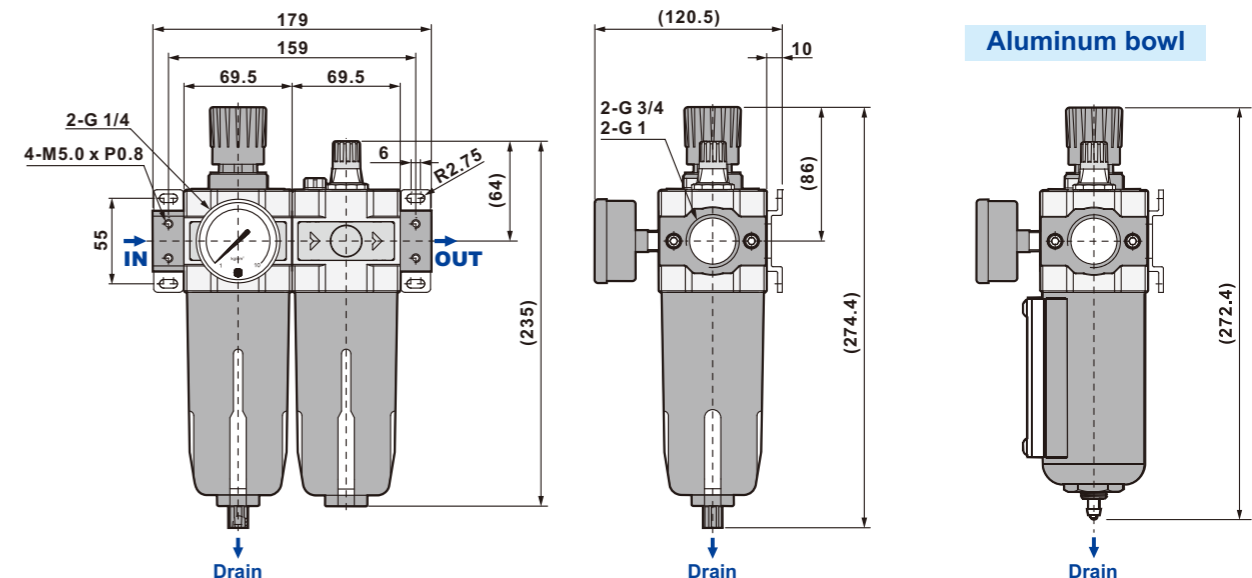
| Model | UFR/L-02 | UFR/L-03 | UFR/L-04 | UFR/L-06 | UFR/L-08 |
|---------------------------------|--|----------|-----------------------|----------|----------|
| Port size | 1/4" | 3/8" | 1/2" | 3/4" | 1" |
| Fluid | Compressed air | | | | |
| Regulator construction | Piston | | | | |
| Body material | Aluminum die-cast | | | | |
| Bowl material | Polycarbonate (Standard), Anti-acid & alkali bowl (Option), Aluminum bowl (Option) | | | | |
| Filtration | PE: 5µm (Standard), 40µm (Option); Sintered brass (Option): 5µm, 40µm | | | | |
| Operating pressure range | 0.5 ~ 9.9 kgf/cm ² | | | | |
| Max. inlet pressure | 15 kgf/cm ² | | | | |
| Max. flow rate l/min (ANR) 40µm | 2080 | 2100 | 2600 | 7940 | 8200 |
| Ambient temperature | -10°C ~ 60°C | | | | |
| Filter bowl capacity | 105cc | | 210cc | | |
| Lubricator bowl capacity | 125cc | | 235cc | | |
| Standard drain | Semi-auto drain (Drains below 0.5kgf/cm ²) | | | | |
| Net weight | 1480g (Al bowl 2080g) | | 2145g (Al bowl 2845g) | | |
| Accessories | Pressure gauge, Mounting bracket set, Plug | | | | |

Dimensions

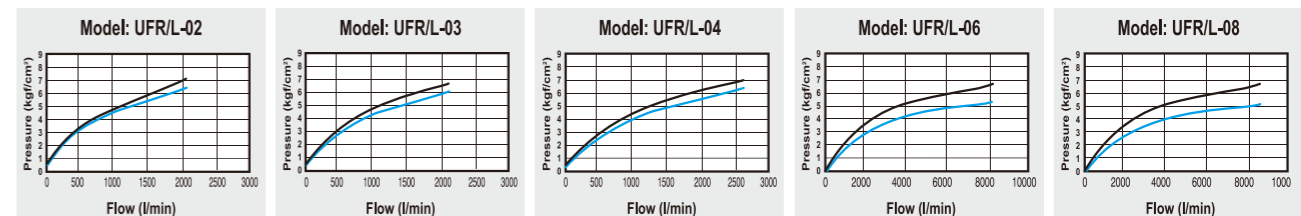
UFR/L-02, 03, 04



UFR/L-06, 08



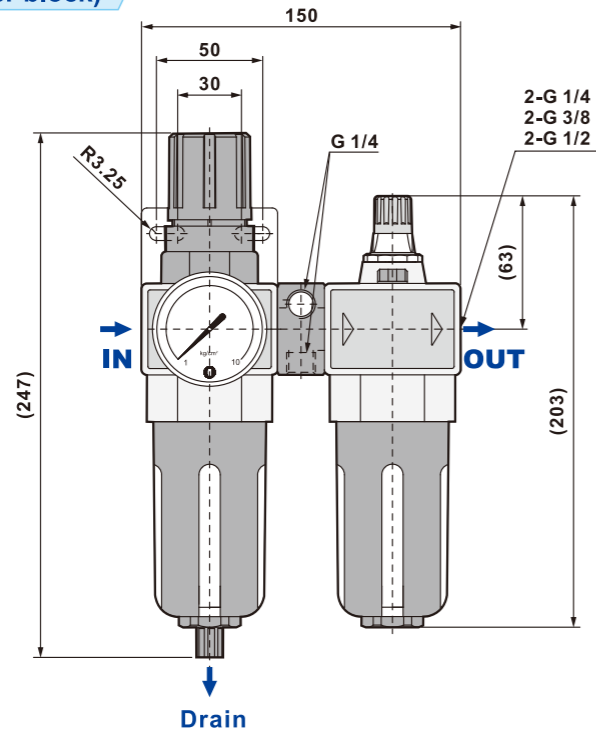
Flow chart



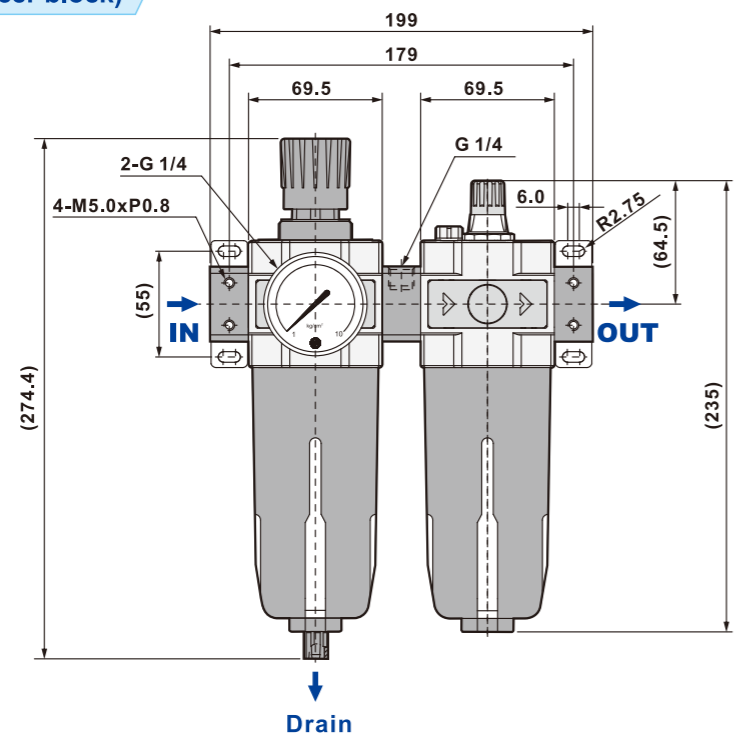
Note: X axis: Flow (l/min), Y axis: Pressure (kgf/cm²), Blue line (P0) = Outlet pressure, Black line (P1) = Inlet pressure, P1-P0= Pressure range

■ Dimensions

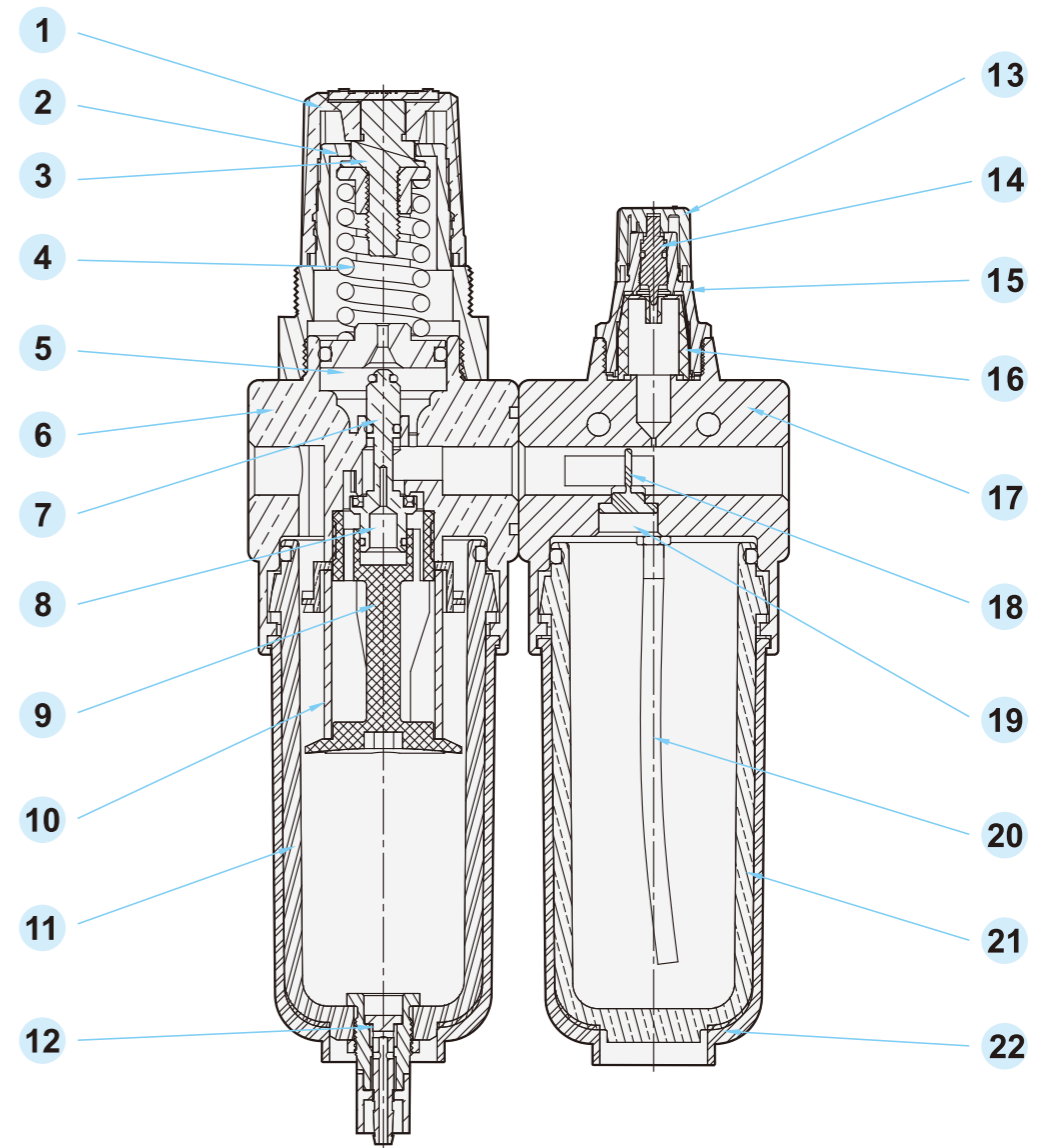
UFR/L-02, 03, 04SB(Spacer block)



UFR/L-06, 08SB(Spacer block)



■ Construction (UFR/L-02,03,04)



| No. | Description | Material | No. | Description | Material |
|-----|----------------------------|-----------------|-----|----------------------|----------|
| 1 | Pressure regulating knob | NY | 12 | Semi-auto drain | POM |
| 2 | Regulator base | NY+GF | 13 | Oil adjusting knob | POM |
| 3 | Pressure regulating screw | Fe+Ni | 14 | Oil adjusting screw | Cu+Ni |
| 4 | Pressure regulating spring | Spring steel+Ni | 15 | Oil viewer | GV4H |
| 5 | Piston | Cu+Ni | 16 | Oil dropping orifice | PC |
| 6 | Regulator body | ADC12 | 17 | Lubricator body | ADC12 |
| 7 | Regulating needle | Cu+NBR | 18 | Damper | PU |
| 8 | Spring | SUS304 | 19 | Plug | Cu |
| 9 | Filter element holder | NY | 20 | Oil pipe | PU |
| 10 | Filter element | PE | 21 | Lubricator bowl | PC |
| 11 | Filter bowl | PC | 22 | Bowl guard | NY |

