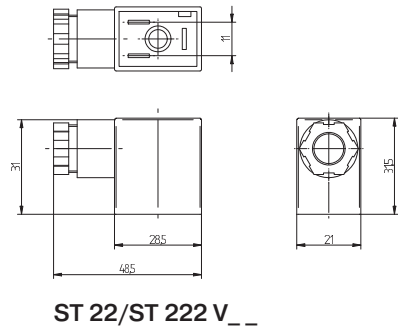


# ST 22/ST 22 L 5000/ST 222 V \_\_ L 1500 ST 22 M12/ST 22 NPTF



ST 22/ST 222 V \_\_

Connectors for coils type MA 22.

### Type ST 22

Connector with black housing.

Using the enclosed flat seal, fastening screw and nut appropriately the system reaches protection class IP 65 in accordance to IEC 60 529.

### Type ST 222 V \_\_

Connector with LED and varistor.

Using the enclosed flat seal, fastening screw and nut appropriately the system reaches protection class IP 65 in accordance to IEC 60 529.

### Type ST 22 L 5000

Connector with black housing and 5 meter moulded cable.

In combination with the Hafner Epoxy coils type MA 22 D, adding two O-rings at the top of the solenoid system, fastening screw and nut appropriately the system reaches protection class IP 67 in accordance to IEC 60 529. Seal is part of the housing.

### Type ST 222 V \_\_ L 1500

Connector with LED and varistor and 1,5 meter moulded cable.

In combination with the Hafner Epoxy coils type MA 22 D, adding two O-rings at the top of the solenoid system, fastening screw and nut appropriately the system reaches protection class IP 67 in accordance to IEC 60 529. Seal is part of the housing.

### ST 22 M12

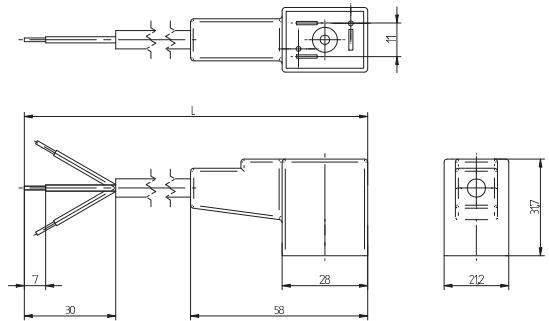
Connector with black housing and M12 x 1 connection.

Using the enclosed flat seal, fastening screw and nut appropriately the system reaches protection class IP 65 in accordance to IEC 60 529.

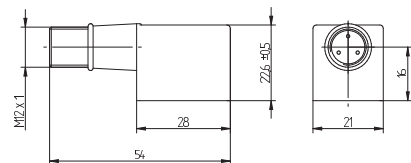
### ST 22 NPTF

Connector with black housing and 1/2" NPTF conduit connection.

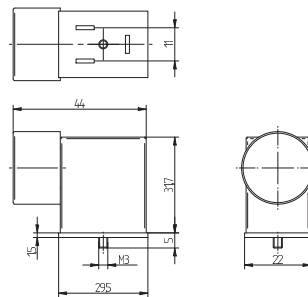
Using the enclosed screw and nut appropriately the system reaches protection class IP 65 in accordance to IEC 60 529.



ST 22 L 5000/ ST 222 V \_\_ L 1500



ST 22 M12



ST 22 NPTF

Other connectors are available on request.

Type	LED	VAR	Operat. voltage	Max. current	Cable diameter	Cable length [mm]	Cable material	Connection
ST 22	no	no	0 - 250 V	10 A	4 - 8 mm			Industry form B
ST 222 V 24	red	yes	24 V ± 10 %	10 A	6 - 8 mm			Industry form B
ST 222 V 110	red	yes	110 V ± 10 %	10 A	6 - 8 mm			Industry form B
ST 222 V 230	red	yes	230 V ± 10 %	10 A	6 - 8 mm			Industry form B
ST 22 L 5000	no	no	0 - 250 V	6 A	6,5 mm	5.000	PVC	Industry form B
ST 222 V 24 L 1500	red	yes	24 V ± 10 %	6 A	6,5 mm	1.500	PUR	Industry form B
ST 222 V 110 L 1500	red	yes	110 V ± 10 %	6 A	6,5 mm	1.500	PVC	Industry form B
ST 222 V 230 L 1500	red	yes	230 V ± 10 %	6 A	6,5 mm	1.500	PVC	Industry form B
ST 22 M12	no	no	0 - 250 V	4 A				Industry form B - M12x1
ST 22 NPTF	no	no	0 - 250 V	10 A				Industry form B - 1/2" NPTF