

HYL-025R0500G097

Constant current LED driver

Product description

- built-in or independent constant current LED Driver
- Adjustable output current between 150 and 500mA via DIP switch
- Max. output power 25 W
- Up to 87 % efficiency
- For luminaires of protection class I or II
- Flicker-free
- Suitable for AC/DC input
- Nominal life-time up to 50,000 h
- 5-year guarantee



Benefits

- Application-oriented operating window for maximum compatibility
- Long lasting and high reliability
- PC Plastic material housing L97xW43xH30 mm

Interfaces

- Terminal blocks: 45° push terminals

Applications

- Linear and area lighting
- Office – industrial – shop

Approval marks

CE SELV

IP20 RoHS

In preparation, if not already printed on product label

Datasheet V2.0 07.2020

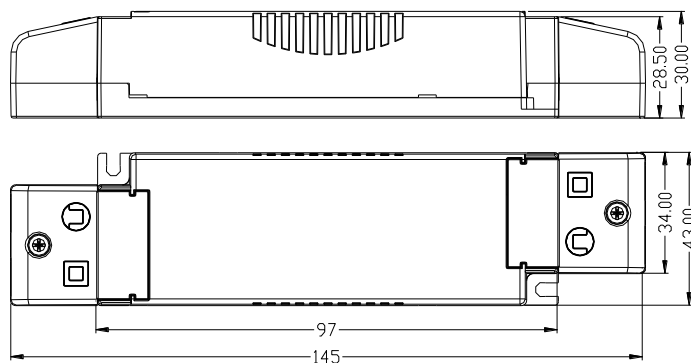
Subject to change without notice



HYL-025R0500G097

Technical data

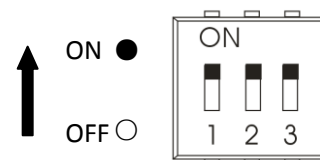
Rated supply voltage	220 – 240 V
AC voltage range	198 – 264 V
DC voltage range	198 – 264 V
Mains frequency	0/ 50 / 60 Hz
Oversvoltage protection	n.a
Typ. current (at 230 V, 50 Hz, full load)	130 mA
Leakage current (at 230 V, 50 Hz, full load)	< 500 μ A
Max. input power	28 W
Typ. efficiency (at 230 V / 50 Hz / full load)	0.87
λ (at 230 V, 50 Hz, full load)	0.95
Typ. power input on stand-by	n.a
Typ. input power in no-load operation	n.a
In-rush current (peak / duration)	10A/180 μ s
THD (at 230 V, 50 Hz, full load)	<10 %
Time to light (at 230 V, 50 Hz, full load)	n.a
Time to light (DC mode)	n.a
Switchover time (AC/DC)	n.a
Turn off time (at 230 V, 50 Hz, full load)	< 4 ms
Output current tolerance	\pm 3 %
Output current ripple	\pm 5 %
Max. output voltage (no-load voltage)	60 V
Dimming range	n.a
Mains surge capability (between L – N)	1 kV
Mains surge capability (between L/N – PE)	n.a
Surge voltage at output side (against PE)	n.a
Dimensions L x W x H	97x43x29.5 mm



Units: mm

Ordering data

Type	Packaging carton	Weight per pc.
HYL-025R0500G097	100 pc(s)	0.120 Kg

DIP Switch

Specific technical data

Type	DIP Switch			Output current t(mA)	Min. forward voltage (V)	Max. forward voltage (V)	Min. output power (W)	Max. output power (W)	Typ.current consumption (at 230 V, 50 Hz, full load)(A)
	PIN 1	PIN 2	PIN 3						
HYL-025R0500G097	●	●	●	500	12	50	6	25	0.125
	○	●	●	450	12	54	5.4	24.3	0.120
	●	○	●	400	12	54	4.8	21.6	0.110
	○	○	●	350	12	54	4.2	18.9	0.095
	●	●	○	300	12	54	3.6	16.2	0.085
	○	●	○	250	12	54	3	13.5	0.070
	●	○	○	200	12	54	2.4	10.8	0.055
	○	○	○	150	12	54	1.8	8.1	0.044

ACCESSORIES

Product description

- Optional strain-relief set for independent applications
- Transforms the LED Driver into a fully class II compatible LED Driver (e.g. ceiling installation)

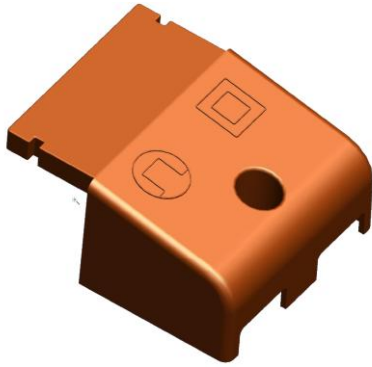


Figure 1

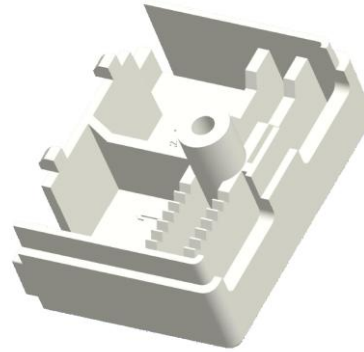


Figure 2

Ordering data

Type	Packaging carton	Weight per pc.	Figure
AWK068	-	-	1
AWK059	-	-	2