

**2 Type**

- T** with draw axle
- TF** with draw hook



Size	F <sub>H</sub> in N Holding capacity	a <sub>1</sub>	a <sub>2</sub>	b <sub>1</sub>	b <sub>2</sub>	b <sub>3</sub>	d <sub>1</sub>	d <sub>2</sub>	d <sub>3</sub>	h <sub>1</sub> ≈	h <sub>2</sub>
200	2000	37	29	35	45	18	10	8	6,5	49	16
300	3000	35	25	48	60	21	10	10	8,5	49	18
400	4000	43	30	54	84	26	14	12	10,5	60,5	25

Size	l <sub>1</sub> ≈	l <sub>2</sub> ≈	l <sub>3</sub> ≈	m <sub>1</sub>	m <sub>2</sub>	m <sub>3</sub>	r <sub>1</sub> ≈	r <sub>2</sub>	s	W <sub>1</sub> Stroke	W <sub>2</sub> ≈ Adjustable range
200	202	51	93	32	8	19	102	5	3	100	20
300	225	51	98	45	8	32	105	6	3	104	20
400	278	58	117,5	60	12,5	28,5	138	7	5	160	20

**Specification**

- Parts in sheet metal  
Case-hardened steel C10  
zinc plated, blue passivated
- Draw hook  
Steel St 37  
zinc plated, blue passivated
- All moving parts  
lubricated with special grease
- Hand grip  
High quality, oil resistant, red plastic
- RoHS

**Information**

The draw hook of the GN 850 hook type toggle clamps can be adjusted within the stroke.

see also...

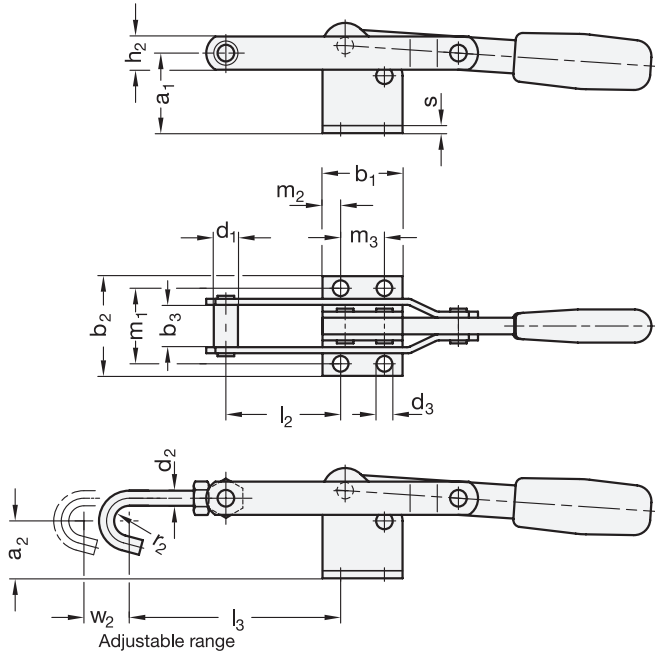
- General information to toggle clamps → Page 500

How to order

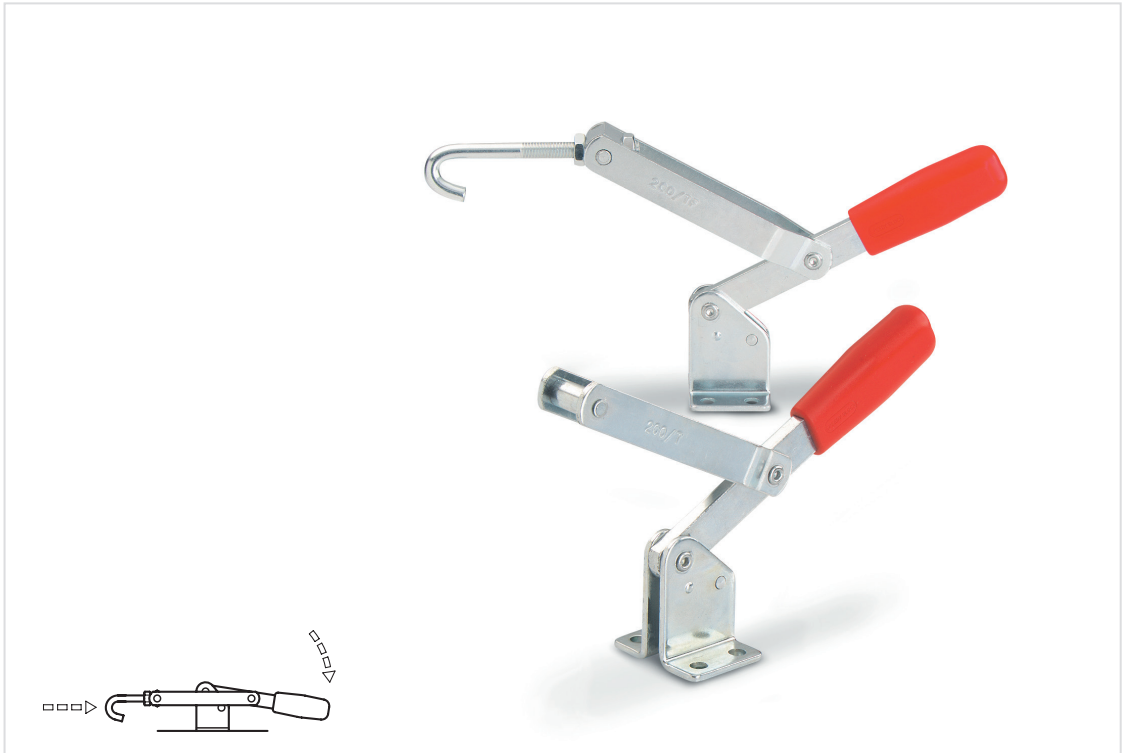
**GN 850-300-TF**

**1 Size**

**2 Type**



1.1  
1.2  
1.3  
1.4



2.1  
2.2  
2.3  
2.4

