

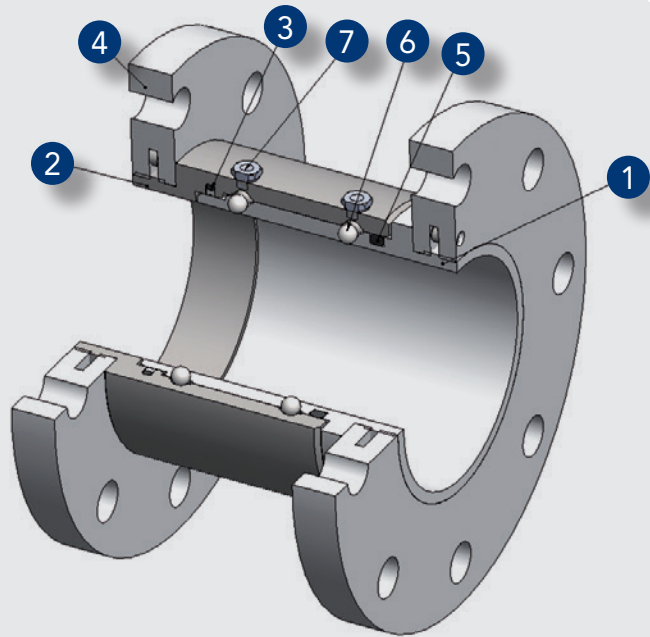
DNRF Series



Your First Choice
For Fluid Transfer solutions

DNRF Serie

		K	I
1	Rotor	Carbon steel	Stainless steel
2	Stator	Carbon steel	Stainless steel
3	Rotary Seal	PTFE/ FKM	PTFE/ FKM
4	Connection Flange	Stainless steel	Stainless steel
5	O-Ring	FKM	FKM
6	Balls	Stainless steel	Stainless steel
7	Grease nipple	Stainless steel	Stainless steel



Working Parameters

Rotation	Fluid	Maximum pressure	Working temperature	Material
Low or swivelling	All fluid except steam and heat transfer fluids	16 bars (PN 10/16)	from -15°C up to +200°C	K models nickel plated carbon steel I models 316L stainless steel

The Duff-Norton Europe DNRF Rotary Union

has been designed to provide a perfect solution to the need to position Flange connected pipes (loading arms). Its simple design in nickel plated carbon steel (against corrosion) or in 316L Stainless Steel allows to ensure its primarily rotating function in all conditions of weather and temperature.

	DNRF50 K/I	DNRF66 K/I	DNRF80 K/I	DNRF100 K/I	DNRF125 K/I	DNRF150 K/I	DNRF200 K/I	DNRF250 K/I	DNRF300 K/I
Nominal diameter (DN)	50	60	75	100	120	150	200	250	300
Overall length	150	150	150	150	150	150	200	200	200
Overall diameter	165	185	200	220	250	285	340	395 405	400 460
Connections	DN50 PN10/PN16	DN66 PN10/PN16	DN80 PN10/PN16	DN100 PN10/PN16	DN125 PN10/PN16	DN150 PN10/PN16	DN200 PN10/PN16	DN250 PN10/PN16	DN300 PN10/PN16

On request, PN10/PN16 flanges can be replaced with any other standard flange types or customized flange types. Also, connection kits, including socket welding flanges, seal and screw set are available and can be ordered at Duff-Norton Europe.

Maintenance

Due to its design, the Duff-Norton Europe DNRF Series Rotary Unions can be maintained over the years. Maintenance kits are available and include the balls, the rotary seal, the different O-rings, and the screw.



Duff-Norton
Europe

45, route Nationale - 02310 Romeny-sur-Marne - FRANCE
Tél. 33 (0) 3 23 70 70 00 - Fax 33 (0) 3 23 70 70 10
Email : duff-france@duffnorton.fr
www.duffnorton.fr

CACO
COLUMBUS McKINNON
CORPORATION

