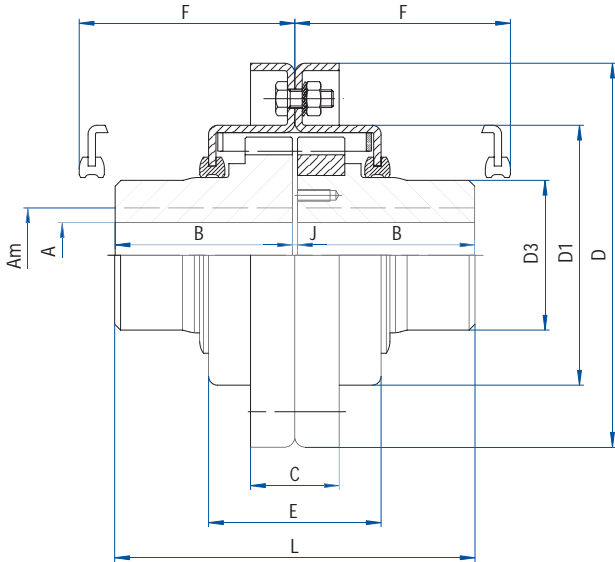
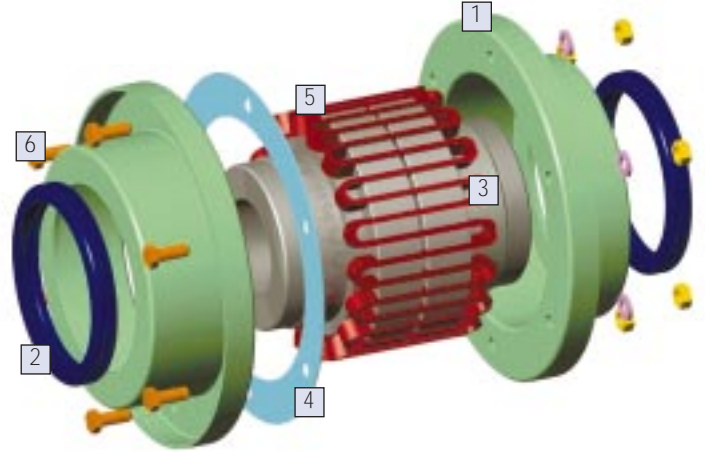


## Type T - TL - TL2 Horizontal or Vertical Working position



Hub Z to 16

Hub 28 to 95



Item	Designation
1	Halfcover
2	Seal
3	Hub
4	Gasket
5	Spring
6	Bolts & Screws

F: Clearance for grid spring assembly and removal

SIZE	Z	000	00	0	1	2	5	9	16	28	43	70	95
<b>Nominal Torque (Nm)</b>	<b>90</b>	<b>190</b>	<b>380</b>	<b>950</b>	<b>1900</b>	<b>3800</b>	<b>8500</b>	<b>12500</b>	<b>24000</b>	<b>48000</b>	<b>70000</b>	<b>120000</b>	<b>160000</b>
Am	Keyway	28	38	55	55	80	110	105	130	180	230	230	270
	Shrink fit	-	-	45	45	60	100	90	110	170	200	220	250
A	Rough bore	-	-	-	-	-	30	30	60	75	85	95	105
B**	T	50	60	60	60	80	80	110	110	130	155	180	200
	TL,TL2	-	-	-	110	110	110	170	195	195	225	260	300
C		20	30	30	30	30	36	36	42	44	50	50	50
D		92	130	158	165	200	250	265	307	395	494	595	670
D1		68	88	113	120	154	203	212	253	330	427	522	598
D3		39	51	76	76	110,5	158	146	183	253	330	330	380
E		57	58	58	77	77	78	123	123	124	125	200	206
F		58	59	59	78	78	79	125	125	126	126	201	201
J		2 <sup>+1</sup> <sub>-0,5</sub>	2 <sup>+1</sup> <sub>-0,5</sub>	2 <sup>+2</sup> <sub>-0,5</sub>	2 <sup>+2</sup> <sub>-0,5</sub>	3 <sup>+1</sup> <sub>-1</sub>	3 <sup>+1</sup> <sub>-1</sub>	3 <sup>+1</sup> <sub>-1</sub>	3 <sup>+1</sup> <sub>-1</sub>	3 <sup>+1</sup> <sub>-1</sub>	4 <sup>+2</sup> <sub>-2</sub>	4 <sup>+2</sup> <sub>-2</sub>	4 <sup>+2</sup> <sub>-2</sub>
L (type T)		102	122	122	122	163	163	223	223	263	314	364	464

Weight type T (kg)	1.84	3.7	6.6	7.8	16.6	31	42	63	125	245	327	409	579
J Solid hub type T (kgm <sup>2</sup> )	0.0011	0.0037	0.0105	0.0135	0.04	0.14	0.20	0.45	1.5	4.65	8.25	11.5	20.25
Max. speed (Rpm)	Without balance	4500	4500	3650	3450	2640	1880	1880	1570	1200	920	750	650
	Dynamically Balanced	-	-	4500	4500	4000	3600	3200	3000	2500	2000	1500	1250

\*\*Types: T = 2 short hubs  
 TL = 1 short hub, 1 long hub  
 TL2 = 2 long hubs

The contents of this bulletin are subject to change without notice.