

70600F/6B

Aluminium gas filter; long-life filter element with high dust-absorption composed of two Viledon P15/500S panels approved to DIN EN779, synthetic filter cage with penetration-resistant steel reinforcement; NBR cover O-ring. Suitable for manufactured gas, natural gas, liquefied petroleum gas (LPG), non-aggressive gas and air. PN 6 with 2 tapping points. Filtration rating: 50 µm. Operating temperature range: -20÷80°C.



Type	Part Number	Connection	Q.ty/Box	Box/ Carton
70603F/6B	007.0050.100	DN 40	1	1
70631F/6B	007.0051.100	DN 50	1	1
70610F/6B	007.0052.200	DN 65	1	1
70620F/6B	007.0053.200	DN 80	1	1
70640F/6B	007.0054.100	DN 100	1	1
70650F/6B	007.0055.100	DN125	1	1
70660F/6B	007.0056.100	DN150	1	1

Dimensions on page 15

70680

High-efficiency aluminium gas filter; polyester felt filter element; aluminium mesh cage. Suitable for manufactured gas, natural gas, liquefied petroleum gas (LPG), non-aggressive gas and air. PN 6. Filtration rating 5 µm. Operating temperature range: -20÷80°C.



Type	Part Number	Connection	Q.ty/Box	Box/ Carton
70684	007.0012.000	1"	1	1
70685	007.0013.000	1.1/4"	1	1
70686	007.0014.000	1.1/2"	1	1
70687	007.0015.000	2"	1	1

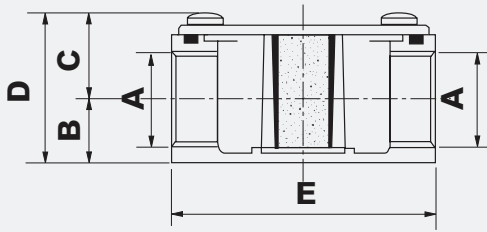
Dimensions on page 15

PARTS AND ACCESSORIES

Type	Part Number	Description	Q.ty/ Box	Box/ Carton
70516	014.0053.000	Wall mounting bracket	1	1
3215	014.0090.001	Filter element+ filter's cover gasket	1	1
3216	014.0091.001	Filter element+ filter's cover gasket for 70611/1B e 70612/1B	1	1
3217	014.0092.001	Filter element+ filter's cover gasket for 70602/1B, 70603/1B e 70604/1B	1	1
3218	014.0093.001	Filter element+ filter's cover gasket for 70631/1B	1	1
3219	014.0094.001	Filter element+ filter's cover gasket for 70603F/6B	1	1
3220	014.0095.001	Filter element+ filter's cover gasket for 70631F/6B	1	1
3226	014.0104.000	Filter element+ filter's cover gasket for 70610F/6B and 70620F/6B	1	1
3223	014.0098.001	Filter element+ filter's cover gasket for 70640F/6B	1	1
3225	014.0099.001	Filter element+ filter's cover gasket for 70650F/6B	1	1
3224	014.0100.001	Filter element+ filter's cover gasket for 70660F/6B	1	1
3216/6B	014.0091.002	Filter element+ filter's cover gasket for 70611/6B and 70612/6B	1	1
3217/6B	014.0092.002	Filter element+ filter's cover gasket for 70602/6B, 70603/6B and 70604/6B	1	1
3218/6B	014.0093.002	Filter element+ filter's cover gasket for 70631/6B	1	1
60680	014.0042.000	Filter element+ filter's cover gasket for 70684, 70685 and 70686	1	1
60687	014.0043.000	Filter element+ filter's cover gasket for 70687	1	1
1639	014.0006.001	Pressure testing 1/8" (1.000 pz. packaging)	100	100
1639	014.0006.002	Pressure testing 1/8" (1.000 pz. packaging)	1000	1000
1640	014.0007.001	Pressure testing 1/4" (1.000 pz. packaging)	100	100
1640	014.0007.002	Pressure testing 1/4" (1.000 pz. packaging)	1000	1000

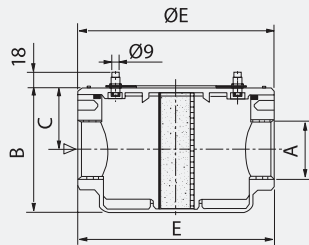
OVERALL DIMENSIONS

70600



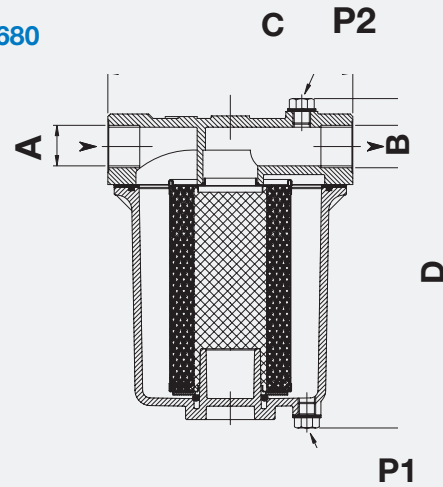
Type	A	B	C	D	E
70609	Rp 1/2"	17	22	39	70
70608	Rp 3/4"	17	22	39	70

70600/6B



Type	A	B	C	D	E
70611/1B	Rp 1/2"	92	37	20	20
70612/1B	Rp 3/4"	92	37	120	120
70602/1B	Rp 1"	103	50	160	160
70604/1B	Rp 1. 1/4"	103	50	160	160
70603/1B	Rp 1. 1/2"	103	50	160	160
70631/1B	Rp 2"	140	73	189	189

70680



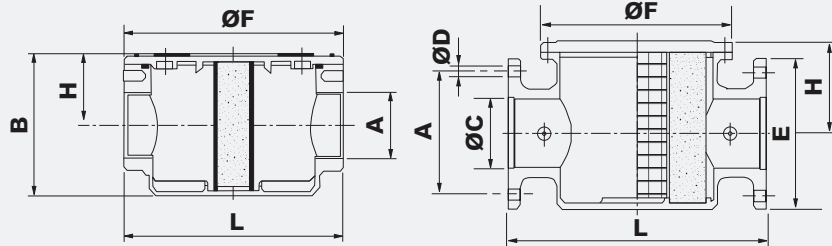
TECHNICAL NOTE

P1: inlet tapping point
P2: outlet tapping point

A pressure gauge or differential pressure switch can be connected between P1 and P2 (Rp 1/2") to control the pressure drop in the cartridge.

Type	A	B	C	D
70684	Rp 1"	Rp 1"	190	255
70685	Rp 1. 1/4"	Rp 1. 1/4"	190	255
70686	Rp 1. 1/2"	Rp 1. 1/2"	190	255
70687	Rp 2"	Rp 2"	190	255

70600/1B - 70600/6B



Type	A	B	C	D	E	F	H	L	H
70611/1B	Rp 1/2"	92	-	-	-	120	37	35	120
70612/1B	Rp 3/4"	92	-	-	-	120	37	35	120
70602/1B	Rp 1"	103	-	-	-	160	50	35	160
70604/1B	Rp 1. 1/4"	103	-	-	-	160	50	35	160
70603/1B	Rp 1. 1/2"	103	-	-	-	160	50	35	160
70631/1B	Rp 2"	140	-	-	-	186	73	37	186
70603F/6B	DN 40	-	110	18	119	150	130	60	200
70631F/6B	DN 50	-	125	18	119	165	148	70	230
70610F/6B	DN 65	-	145	18	119	185	212	91	290
70620F/6B	DN 80	-	160	18	121	200	240	106	320
70640F/6B	DN 100	-	180	18	121	220	280	126	380
70650F/6B	DN125	-	210	18	121	250	280	145	380
70660F/6B	DN150	1.1/2"	240	22	126	288	310	151	450