

Interpump Serie SS1 - Edelstahlausführung AISI 316L / 1.4404

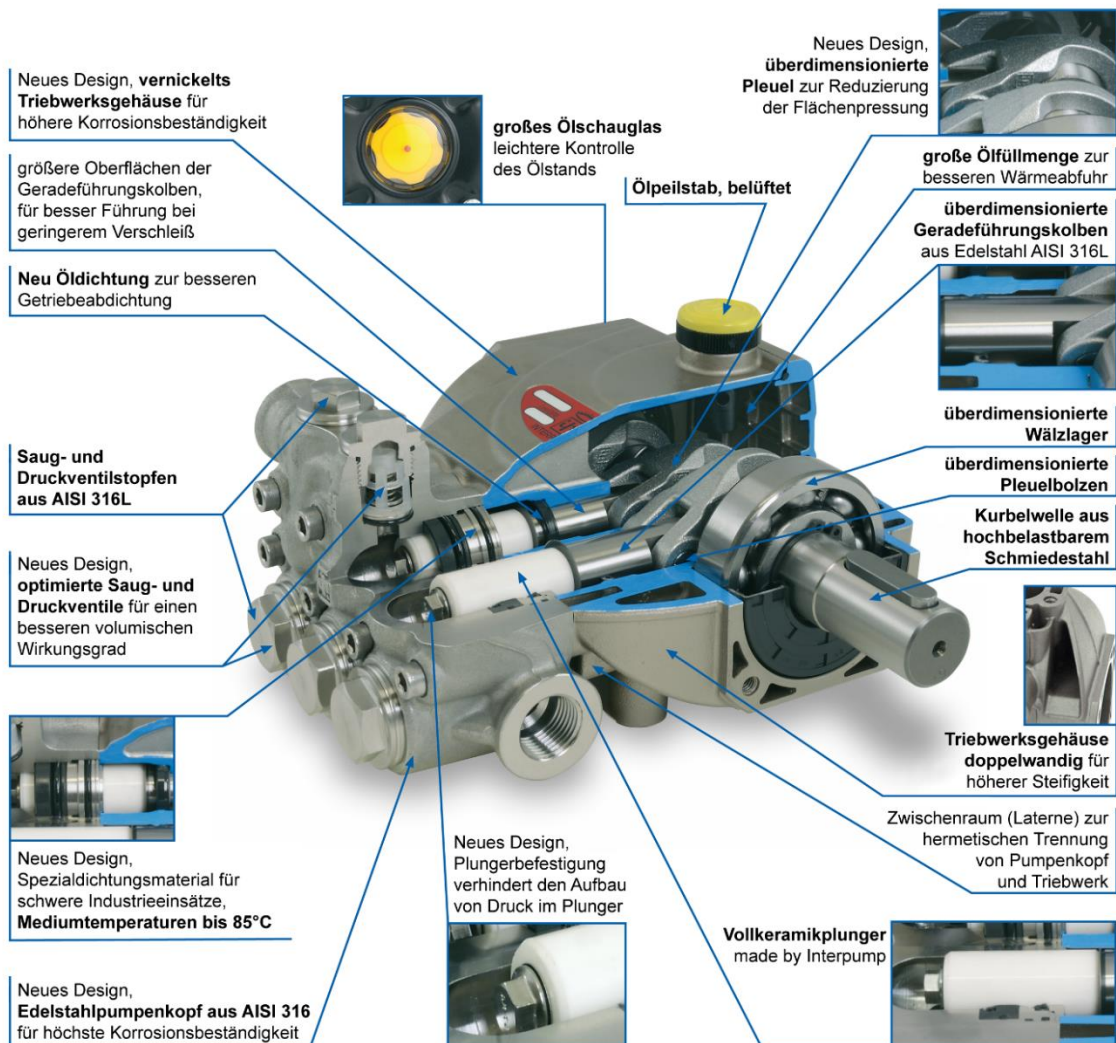
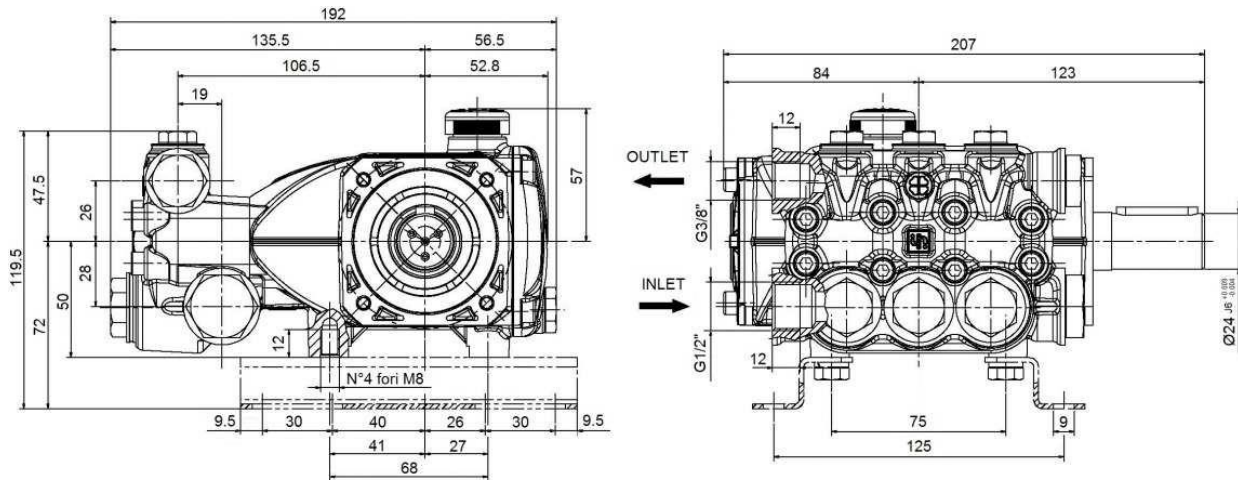
- **Pumpenkopf** aus Edelstahl AISI 316L / 1.4404
- **Kurbelwelle** vergütet, nitriert und zweifach wälzgelagert
- **Pumpenkörper** aus Aluminiumguss chem. vernickelt
- **Pleul** gleitgelagert
- **Hochdruckabdichtungen** aus PTFE-Graphit-Compounds
- **Ventilkonstruktion** wartungsfreundlich aus Speziale Edelstahl
- **Plunger** aus Aluminium - Oxidkeramik
- **Mediumtemperatur** bis 85°C
- Druck- / Literleistungen in 8 Varianten

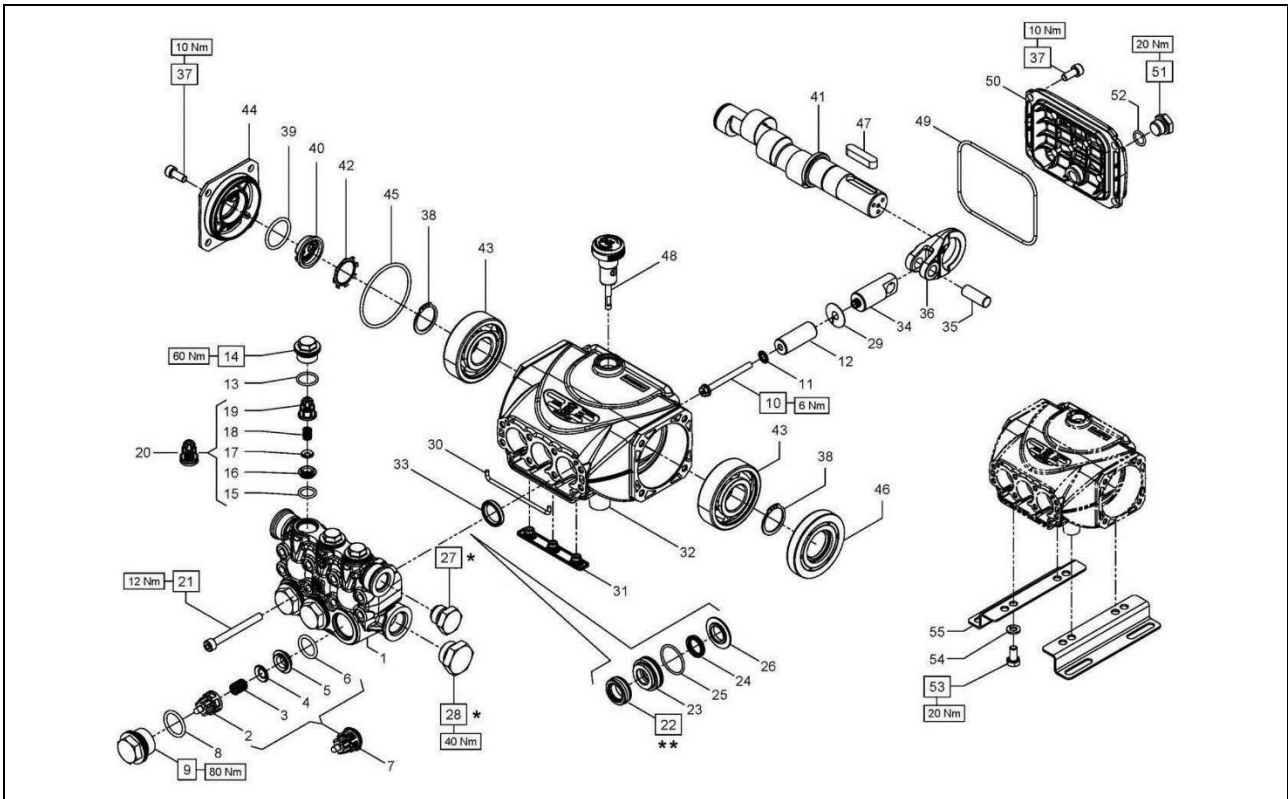


Die Serie SS1 wurde entwickelt für: Entsalzung (Umkehrosmose), Chemische Injektion, VE-Wasser, Pharmazeutika, Aggressive Medien, Lebensmittelindustrie

Folgende Varianten sind lieferbar

SS1	Förderleistung max. [l / min]	Betriebsdruck max [bar]	Antriebsleistung [kW]	Drehzahl [1/min]	Gewicht [kg]
SS1B1503	3,5	150	1,03	1450	5,7
SS1B1505	5	150	1,43	1450	5,7
SS1B1507	7	150	2,01	1450	5,7
SS1B1509	9	150	2,58	1450	5,7
SS1B1511	11	150	3,15	1450	5,7
SS1B1513	13	150	3,72	1450	5,7
SS1B1514	14	150	4,01	1450	5,7
SS1C1509	9	150	2,58	1750	5,7
SS1C1511	11	150	3,15	1750	5,7
SS1C1513	13	150	3,72	1750	5,7
SS1C1515	15	150	4,3	1750	5,7





**SS1B1505 - SS1B1507 - SS1B1509
 SS1B1511 - SS1B1513 - SS1B1514
 SS1C1509 - SS1C1511 - SS1C1513
 SS1C1515**

PISTONE - PISTON D. 15		PISTONE - PISTON D. 18	
SS1B1505 - SS1B1507 - SS1B1509 SS1C1509 - SS1C1511		SS1B1511 - SS1B1513 - SS1B1514 SS1C1513 - SS1C1515	

POS	COD.	DESCRIZIONE - DESCRIPTION - KIT	NR
1	53.1215.36 53.1216.36	Testata pistone D. 18 Testata pistone D. 15	1
2	36.2025.51	Guida valvola	341 3
3	94.7373.00	Molla Dm. 9.4x14.8	341 3
4	36.2001.76	Valvola sferica	341 3
5	36.2036.66	Sede valvola	341 3
6	90.3841.00	OR D. 17.13x2.62 NBR 70SH 3068	341 3
7	36.7130.01	Gr. valvola d'aspirazione	341 3
8	90.3847.00	OR D. 20.29x2.62 NBR 90SH 3081	335 3
9	98.2214.20	Tappo M24x1.5x13.2	335 3
10	99.1690.00	Vite M5x55	3
11	96.6905.00	Rosetta D.5.0x11.5x0.4	3
12	63.0405.09 53.0400.09	Pistone D.18x38.5 Pistone D.15x38.5	3
13	90.3593.00	OR D. 15.60x1.78 NBR 70SH 2062 336	3
14	98.2137.20	Tappo M18x1,5x10 D.23 F12	336 3
15	90.3674.00	OR D. 12.00x2.00 NBR 70SH	334 3
16	53.2111.66	Sede valvola	334 3
17	36.2112.76	Valvola sferica	334 3
18	94.7333.00	Molla Dm. 6.7x10.8	334 3
19	36.2111.51	Guida valvola	334 3
20	36.7245.01	Gr. valvola di mandata	334 3
21	99.1992.00	Vite M6x60 UNI 5931	8

KIT RICAMBI - SPARE KITS

KIT Nr.	PISTONE - PISTON - D.15				PISTONE - PISTON - D.18				
	KIT 341	KIT 334	KIT 311	KIT 335	KIT 336	KIT 337	KIT 338	KIT 339	KIT 340
Posizioni include Positions included	2 - 3 - 4 5 - 6 (7)	15 - 16 17 - 18 19 (20)	33	8 - 9	13 - 14	22 - 24 25	22 - 23 24 - 25 26	22 - 24 25	22 - 23 24 - 25 26
Nr. Pcs.	3	3	3	3	3	3	1	3	1

POS	COD.	DESCRIZIONE - DESCRIPTION - KIT	NR
22	90.2160.00 90.2210.00	Anello ten. alt. D.15.0x24.0x8.5 HP 337 338 Anello ten. alt. D.18.0x28.0x10.0 HP 339 340	3
23	53.2109.56 53.2112.56	Supporto guarnizioni D.18 Supporto guarnizioni D.15	340 338 3
24	90.2150.00 90.2200.00	Anello ten. alt. D.15.0x19.5 LP 337 338 Anello ten. alt. D.18.0x22.5 LP 339 340	3
25	90.3604.00	OR D. 25.12x1.78 NBR 70SH 2100 337 338 339 340	3
26	53.2110.56 53.2113.56	Anello per tenuta D.18 Anello per tenuta D.15	340 338 3
27	98.2100.66	Tappo G3/8"x13	1
28	98.2180.00	Tappo G1/2"x10	1
29	96.6990.00	Rosetta D.7.5x23.0x0.5	3
30	53.2103.82	Guarnizione spugna D.3.0x85.0	1
31	58.2104.51	Protezione	1
32	53.0101.22	Carter pompa	1
33	90.1593.00	Anello rad. D.18.0x24.0x4.0	311 3
34	53.0501.66	Guida pistone	3
35	97.7338.00	Spinotto D.10x26.5	3
36	53.0300.22	Biella	3
37	99.1838.00	Vite M6x14 UNI 5931	8
38	90.0635.00	Anello d'arresto A25	2
39	90.3859.00	OR D. 25.07x2.62 NBR 70SH 3100	1
40	53.2108.51	Vetrino spia livello olio	1

POS	COD.	DESCRIZIONE - DESCRIPTION - KIT	NR
41	60.0207.65 60.0283.35 53.0200.35 53.0201.35	Albero ecc. C.7.2 - SS1B1505 Albero ecc. C.10.0 - SS1B1507 SS1B1511 SS1C1509 SS1C1513 Albero ecc. C.13.0 - SS1B1514 Albero ecc. C.12.0 - SS1B1509 SS1B1513 SS1C1511 SS1C1515	1
42	90.0671.00	Anello d'arresto Z130	1
43	91.8328.00	Cuscinetto a sfere	2
44	53.1501.22	Coperchio laterale	1
45	90.3898.00	OR D. 56.82x2.62 NBR 70SH 3225	1
46	90.1641.00	Anello rad. D.25.0x62.0x10.0	1
47	91.4892.00	Linguetta 8.0x7.0x35.0	1
48	98.2108.00	Asta livello olio G 3/8"x45	1
49	90.3917.00	OR D. 88.57x2.62 NBR 70SH 3350	1
50	53.1601.22	Coperchio posteriore	1
51	98.2040.00	Tappo G1/4"x9	1
52	90.3585.00	OR D. 10.82x1.78 NBR 70SH 2043	1
53	99.3037.00	Vite M8x16 5739	4
54	96.7016.00	Rosetta D.8.4x14.4x2.0	4
55	50.2000.74	Piedino pompa	2