



10-6 SERIES PUMP: "LUBE" AND "NON-LUBE" AIR MOTOR ASSEMBLIES, BUNA.

DOC. NO. D15138, REV. B, 04-23-2024, M.E.
PAGE 1 OF 4

"LUBE" AIR MOTOR ASSEMBLY 11-6094A000 "NON-LUBE" AIR MOTOR ASSEMBLY 11-6094ADL0 (P/N 11-6094ADL0 WAS C10515)

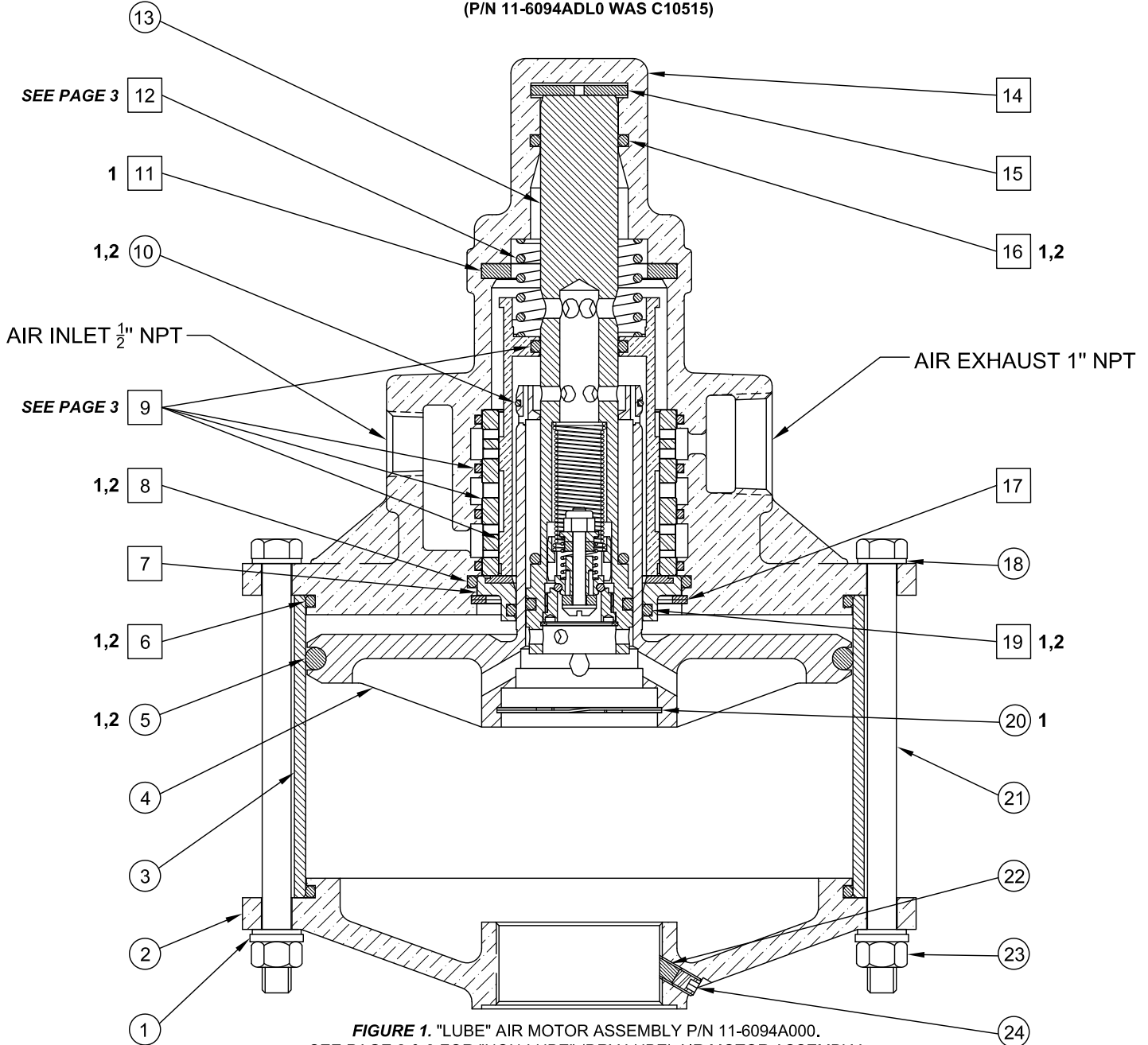


FIGURE 1. "LUBE" AIR MOTOR ASSEMBLY P/N 11-6094A000.
SEE PAGE 2 & 3 FOR "NON-LUBE" (DRY LUBE) AIR MOTOR ASSEMBLY
P/N 11-6094ADL0 AND C10515.

NOTES: "LUBE" AIR MOTOR ASSEMBLY 11-6094A000.

- 1. INCLUDED IN 11-6100N000 AIR MOTOR REPAIR KIT.
- 2. INCLUDED IN 11-6130N000 AIR MOTOR PACKING SET.
- 3. REQUIRES LUBRICATOR INSTALLED IN DRIVE-AIR LINE.

XX INCLUDED IN 11-6128A000 HEAD ASSEMBLY.

NOTES: "NON-LUBE" AIR MOTOR ASSEMBLY 11-6094ADL0.

- 1. INCLUDED IN 11-6100NDL0 AIR MOTOR REPAIR KIT.
- 2. INCLUDED IN 11-6130NDL0 AIR MOTOR PACKING SET.
- 3. P/N 11-6094ADL0 WAS C10515.
- 4. P/N 11-6100NDL0 WAS R10104.
- 5. P/N 11-6130NDL0 WAS R10105.
- 6. DOES NOT REQUIRE LUBRICATOR INSTALLED IN DRIVE-AIR LINE.

XX INCLUDED IN C10516 HEAD ASSEMBLY.



SOUTHERN CALIFORNIA HYDRAULIC ENGINEERING CORPORATION
Designer and Manufacturers of Hydraulic & Pneumatic Equipment

1130 COLUMBIA STREET, BREA, CALIFORNIA 92821 - (714) 257-4800 - FAX (714) 257-4810

10-6 SERIES PUMP: "LUBE" AND "NON-LUBE" AIR MOTOR ASSEMBLIES, BUNA.

A. "LUBE" AIR MOTOR ASSEMBLY P/N 11-6094A000 (REFER TO ITEM 9A & 12A).

B. "NON-LUBE" (DRY LUBE) AIR MOTOR ASSEMBLY P/N 11-6094ADL0 (REFER TO ITEM 9B & 12B).

DOC. NO. D15138, REV. B, 04-23-2024, M.E.

PAGE 2 OF 4

ITEM NO	QTY	PART NO	DESCRIPTION	REFERENCE NO
1	8	P10212-038	LOCK WASHER	----
2	1	11-6002A000	END	10-550-2
3	1	11-6151P000	AIR CYLINDER	10-550-151
4	1	11-6025A000	AIR PISTON	10-550-25
5	1	P11000-439	O-RING	12-6227N066
6	2	P11000-261	O-RING	12-6230N039
7	1	11-5047N000	BEARING ASSEMBLY	10-450-47
8	1	P11000-231	O-RING	12-6230N009
9A *	1	11-6152A000	"LUBE" APA VALVE ASSEMBLY. (<i>SEE PAGE 3</i>)	10-550-152
9B *	1	11-6152ADL0	"NON-LUBE" (DRY-LUBE) APA VALVE ASSEMBLY. (<i>SEE PAGE 3</i>)	10-550-152DL
10	1	P11000-028	O-RING	12-8775N028
11	1	11-5057P000	BUMPER	10-450-57
12A *	1	11-5005M001	SPRING, RETURN (<i>USE WITH ITEM No. 9A, SEE PAGE 3</i>)	10-450-5-1
12B *	1	11-5005M002	SPRING, RETURN (<i>USE WITH ITEM No. 9B, SEE PAGE 3</i>)	10-450-5-2
13	1	11-6027A000	PILOT VALVE ASSEMBLY	10-550-27
14	1	11-6092A000	HEAD	10-550-92
15	1	11-5012N000	BUMPER	10-450-12
16	1	P11000-214	O-RING	12-6227N019
17	1	12-R262S000	RETAINING RING	RRT-262
18	16	P10214-038	FLAT WASHER	----
19	1	P11000-223	O-RING	12-6230N001
20	1	12-R200S000	RETAINING RING	RRT-200
21	8	P10230	HEX BOLT	----
22	1	11-5172N000	PLUG	10-450-172
23	8	12-37CNFH1Z	HEX NUT	----
24	1	P10238	HEX-SOCKET SET-SCREW	12-25C313CPSS

*** ITEM 9A: "LUBE" APA VALVE ASSEMBLY.**

P/N 11-6152A000.

SEE PAGE 3 FOR DETAILS.

ITEM NO	QTY	PART NO	DESCRIPTION	REFERENCE NO
9A.1	1	P11000-214	O-RING	12-6227N019
9A.2	1	11-6153A000	PISTON, APA	10-550-153
9A.3	1	11-6126A000	SLEEVE, APA	10-550-126
9A.4	4	P11000-144	O-RING	12-8775N144

*** ITEM 9B: "NON-LUBE" (DRY LUBE) APA VALVE ASSEMBLY.**

P/N 11-6152ADL0.

SEE PAGE 3 FOR DETAILS.

ITEM NO	QTY	PART NO	DESCRIPTION	REFERENCE NO
9B.1	1	P11000-214	O-RING	12-6227N019
9B.2	1	P10263-193	RETAINING RING	----
9B.3	1	D10684	SEAL, DRY LUBE	----
9B.4	1	P11000-135	O-RING	12-8775N135
9B.5	1	D10817	PISTON, APA	----
9B.6	2	P11003-137	O-RING	----
9B.7	1	D10263	SLEEVE, APA	----
9B.8	4	P11000-144	O-RING	12-8775N144



SOUTHERN CALIFORNIA HYDRAULIC ENGINEERING CORPORATION

Designer and Manufacturers of Hydraulic & Pneumatic Equipment

1130 COLUMBIA STREET, BREA, CALIFORNIA 92821 — WWW.SCHYDRAULIC.COM

10-6 SERIES PUMP: "LUBE" AND "NON-LUBE" AIR MOTOR ASSEMBLIES, BUNA.

DOC. NO. D15138, REV. B, 04-23-2024, M.E.

PAGE 3 OF 4

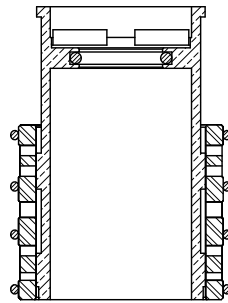


FIGURE 2. "LUBE" APA VALVE ASSEMBLY
P/N 11-6152A000

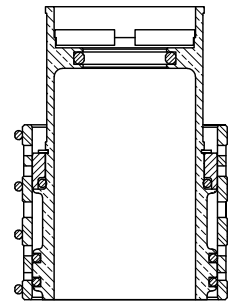
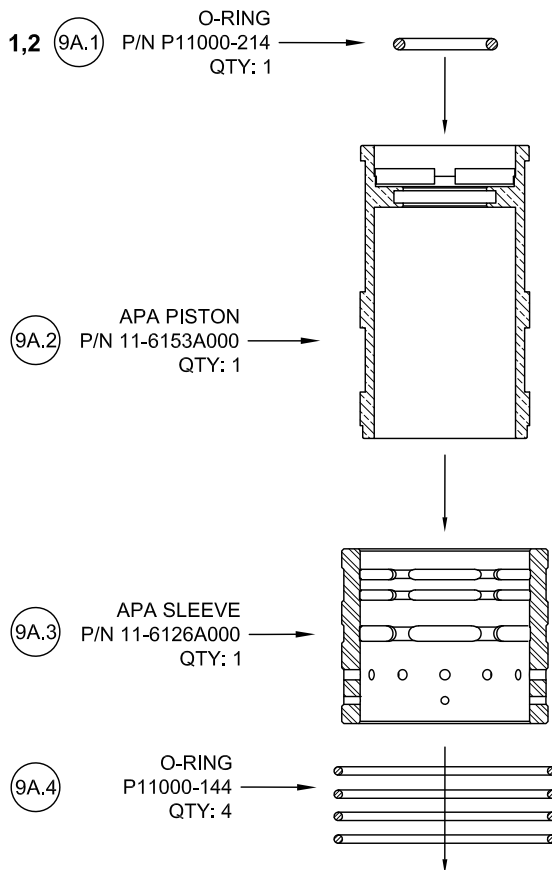


FIGURE 3. "NON-LUBE" APA VALVE ASSEMBLY
P/N 11-6152ADL0



APA PISTON ASSY.
P/N C10544N.

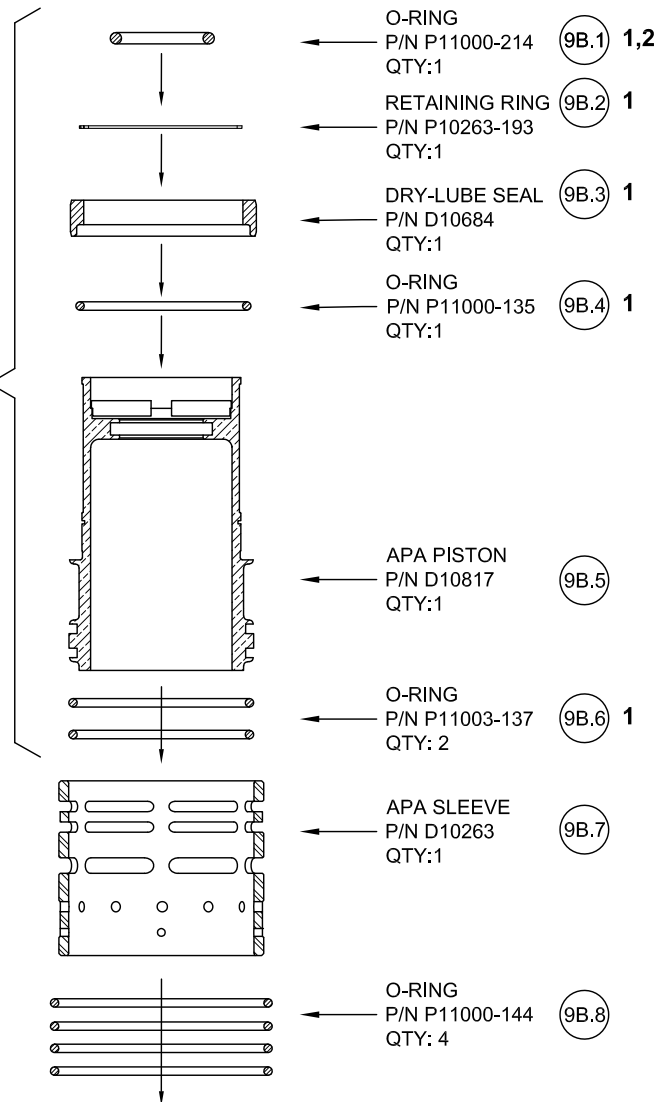


FIGURE 4. "LUBE" APA VALVE PARTS BREAK DOWN.

RELATED PART NUMBERS:

- P/N 11-5005M001: APA VALVE RETURN SPRING .
- P/N 11-6094A000: AIR MOTOR ASSEMBLY.
- APA PISTON ASSEMBLY NOT AVAILABLE.

NOTES:

1. INCLUDED IN 11-6100N000 AIR MOTOR REPAIR KIT.
2. INCLUDED IN 11-6130N000 AIR MOTOR PACKING SET.

FIGURE 5. "NON-LUBE" APA VALVE PARTS BREAK DOWN.

RELATED PART NUMBERS:

- P/N 11-5005M002: APA VALVE RETURN SPRING.
- P/N 11-6094ADL0: AIR MOTOR ASSEMBLY.
- P/N 11-6094ADL0 WAS C10515: AIR MOTOR ASSEMBLY.
- P/N 11-6152ADL0 WAS C10526: APA VALVE ASSEMBLY.

NOTES:

1. INCLUDED IN 11-6100NDL0 AIR MOTOR REPAIR KIT.
2. INCLUDED IN 11-6130NDL0 AIR MOTOR PACKING SET.



SOUTHERN CALIFORNIA HYDRAULIC ENGINEERING CORPORATION

Designer and Manufacturers of Hydraulic & Pneumatic Equipment

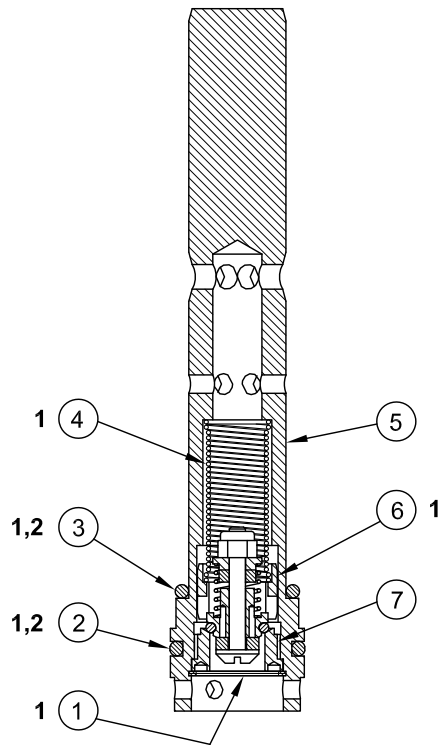
1130 COLUMBIA STREET, BREA, CALIFORNIA 92821 — WWW.SCHYDRAULIC.COM

10-6 SERIES PUMP: "LUBE" AND "NON-LUBE" AIR MOTOR ASSEMBLIES, BUNA.

DOC. NO. D15138, REV. B, 04-23-2024, M.E.
PAGE 4 OF 4

PILOT VALVE ASSEMBLY P/N 11-6027A001

ITEM NO.	QTY	PART NO.	DESCRIPTION	REF. NO.
1	1	12-R093S000	RETAINING RING	RRT-93
2	1	P11000-216	O-RING	12-6227N021
3	1	P11000-214	O-RING	12-6227N019
4	1	11-5016M001	SPRING	10-450-16-1
5	1	11-6023A000	PILOT VALVE BODY	10-550-23
6	1	11-6032A403	AIR CHECK ASSY	10-403-32-1
7	1	11-5024A403	SEAT	10-403-24

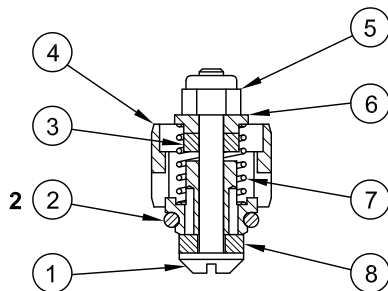


NOTES:

1. INCLUDED IN 11-6100N000 AND 11-6100NDL0 AIR MOTOR REPAIR KIT.
2. INCLUDED IN 11-6130N000 AND 11-6130NDL0 AIR MOTOR PACKING SET.
3. P/N 11-6100NDL0 WAS R10104.
4. P/N 11-6130NDL0 WAS R10105.

AIR CHECK ASSEMBLY P/N 11-6032A403

ITEM NO.	QTY	PART NO.	DESCRIPTION	REF. NO.
1	1	11-5056A000	SCREW	10-450-56
2	1	P11000-111	O-RING	12-6227N009
3	1	11-5043V000	WASHER	10-450-43V
4	1	11-6028A403	AIR CHECK BODY	10-403-28-1
5	1	12-2104A4D08	NUT	
6	1	11-5039S000	RETAINER	10-450-39
7	1	11-5015M000	SPRING	10-450-15
8	1	11-5025V403	WASHER	10-403-25V



NOTES:

1. INCLUDED IN 11-6100N000 AND 11-6100NDL0 AIR MOTOR REPAIR KIT.
2. INCLUDED IN 11-6130N000 AND 11-6130NDL0 AIR MOTOR PACKING SET.
3. P/N 11-6100NDL0 WAS R10104.
4. P/N 11-6130NDL0 WAS R10105.