

STANDARD ASSEMBLY UNIT INSTALLATION DATA:

DESIGNED FOR DRY MATERIAL IN GRAVITY FLOW APPLICATIONS.

CUSTOMER CONNECTION: FLANGE TYPE CONNECTION.

ACTUATION: 4-1/2" [114] BORE DOUBLE ACTING AIR CYLINDER. THE AIR CYLINDER REQUIRES A MINIMUM OF 80 PSIG [5.5 BAR], FILTERED, COMPRESSED AIR FOR MOST RELIABLE SERVICE. AIR LUBRICATION IS NOT REQUIRED BUT IS RECOMMENDED FOR EXTENDED WEAR LIFE. MAGNETIC PISTON INCLUDED.

AIR CONTROL: A 2 POSITION, 4 WAY LEVER OR SOLENOID OPERATED COMPRESSED AIR CONTROL REQUIRES A MINIMUM FLOW OF 1.4 Cv [1.2 Kv] TO OPERATE THE ACTUATING AIR CYLINDER.

AIR USAGE: .594 SCF [16.8 L] FOR ONE STROKE OF THE AIR CYLINDER.

TEMPERATURE:

180°F [82°C] CONTINUOUS SERVICE, 200°F [93°C] INTERMITTENT (10 MINUTES MAXIMUM).
(HT3) 250°F [121°C] CONTINUOUS SERVICE, 300°F [149°C] INTERMITTENT (10 MINUTES MAXIMUM).
(HT4) 400°F [204°C] CONTINUOUS SERVICE, 450°F [232°C] INTERMITTENT (10 MINUTES MAXIMUM).

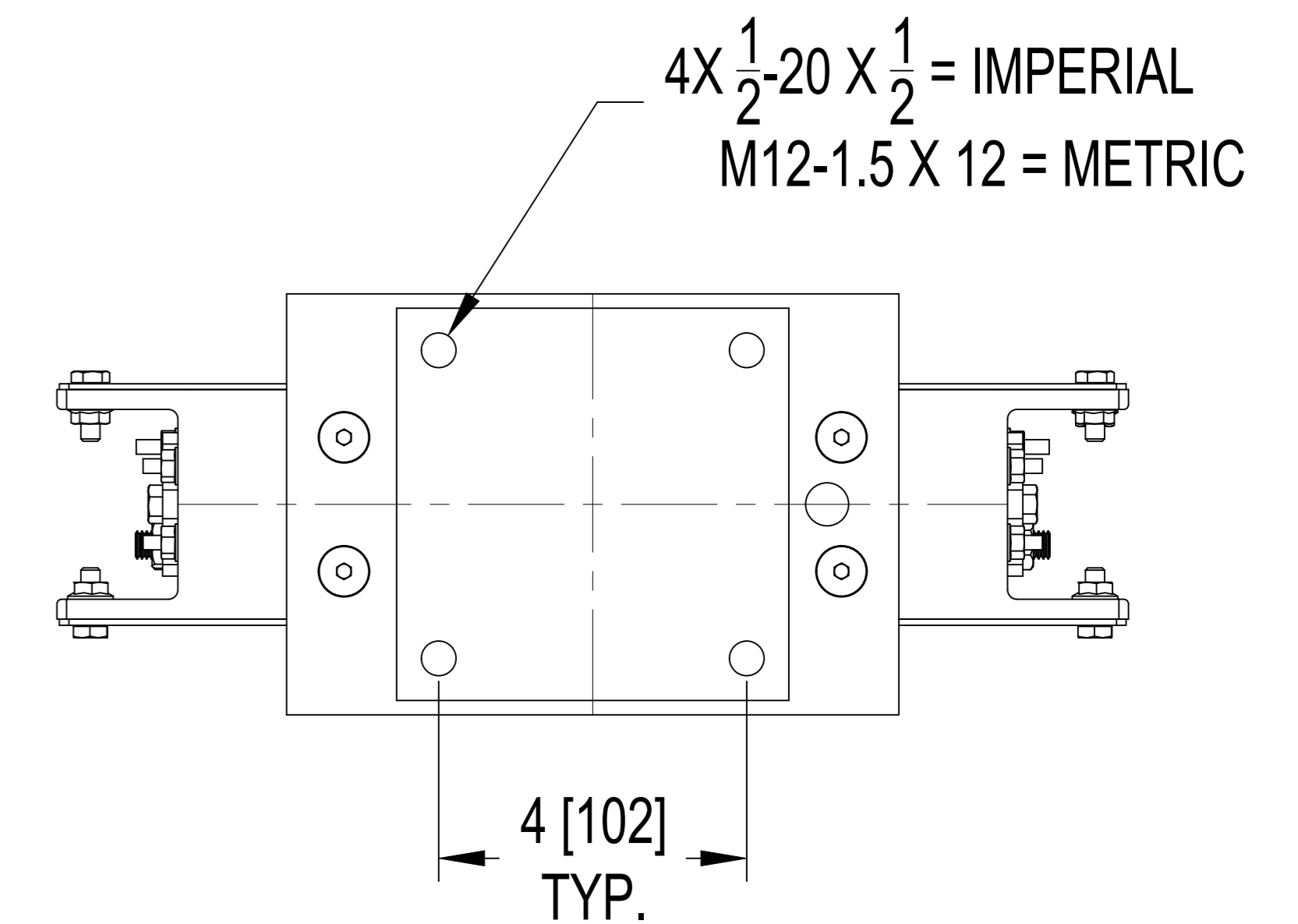
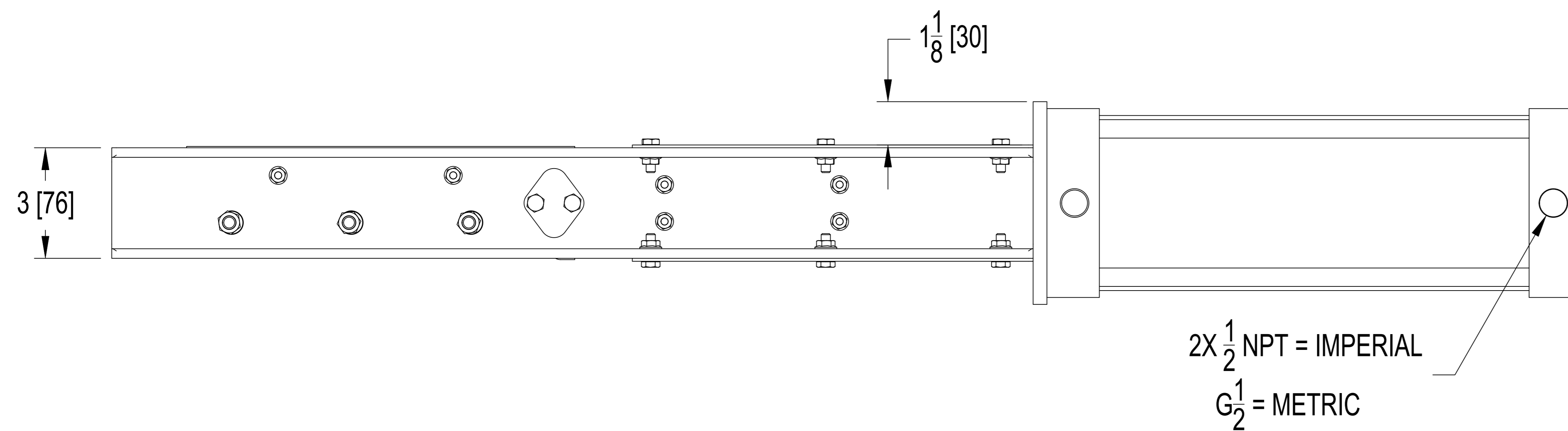
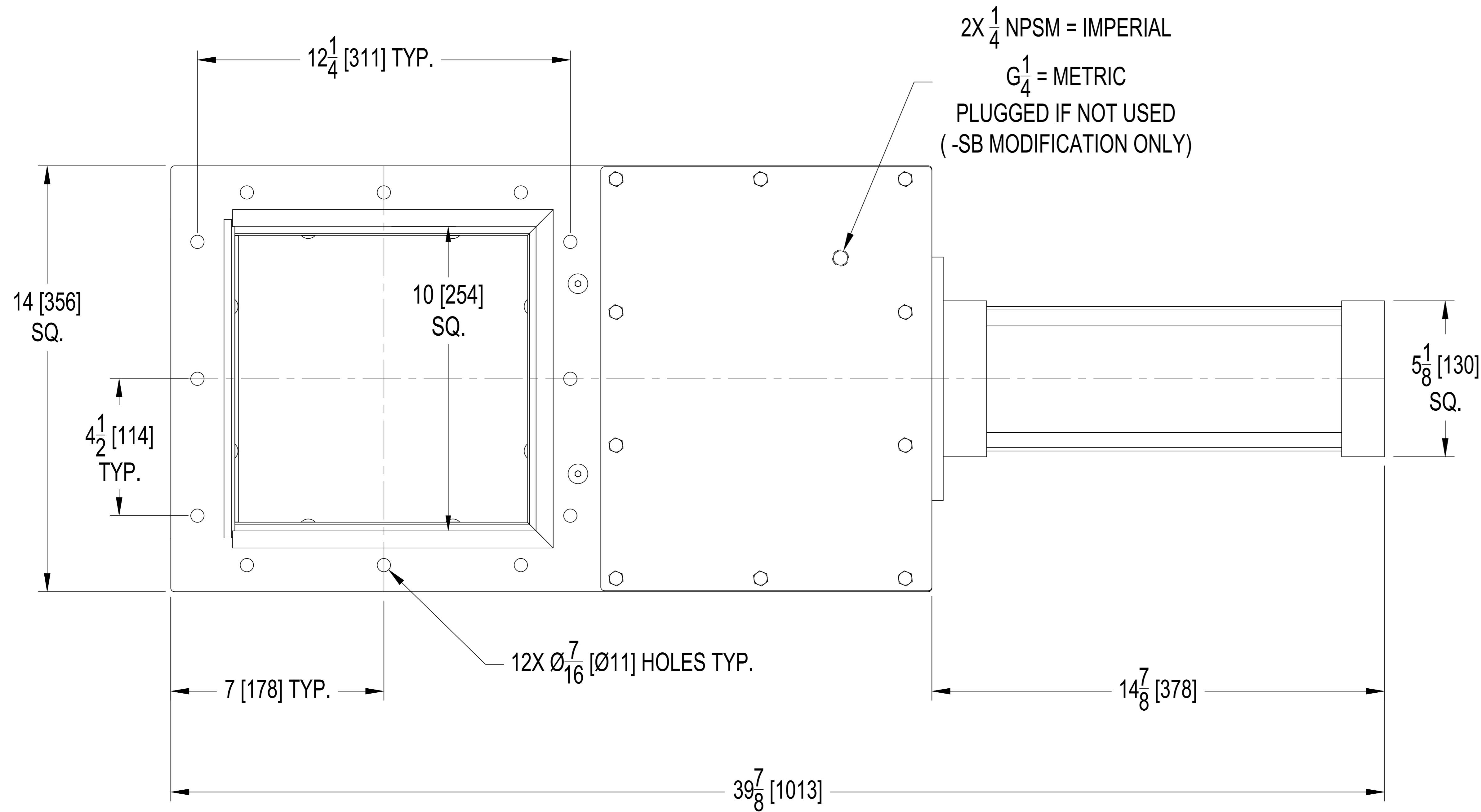
MATERIAL CONTACT:

(STANDARD) 304 STAINLESS STEEL
 (-S) 316L STAINLESS STEEL


APPROX. GATE VALVE WEIGHT: 45 LBS. [20 KG] WITH AIR CYLINDER ACTUATOR.

FLANGE GASKET: 1/4" [6] MINIMUM SOFT FLANGE GASKET IS RECOMMENDED TO MINIMIZE DISTORTION FROM MATING FLANGE. IF GASKET IS NOT USED ON DISTORTED FLANGE, VALVE **WILL** BE PLACED IN BIND, AND SIGNIFICANTLY REDUCE PERFORMANCE, AND INCREASE FORCE REQUIRED TO PROPERLY ACTUATE VALVE.
TIGHTEN FLANGE BOLTS TO PARTIALLY COMPRESS GASKETS!

LINES AND EQUIPMENT ATTACHED TO THE VALVE THAT WEIGH OVER 200 LBS. [91 KG] MUST BE SUPPORTED.



- NOTE:**
 1. SA10V1 = IMPERIAL MODEL
 SA250V1 = METRIC MODEL

				EVERY EFFORT IS MADE TO ENSURE THAT THIS DATA IS CURRENT. OUR PRODUCTS ARE SUBJECT TO ONGOING DEVELOPMENT AND ACCORDINGLY, WE RESERVE THE RIGHT TO CHANGE SPECIFICATIONS AND DETAILS WITHOUT PRIOR NOTICE.	
				PROPRIETARY AND CONFIDENTIAL THE INFORMATION CONTAINED IN THIS DRAWING IS THE SOLE PROPERTY OF THE MANUFACTURER. ANY REPRODUCTION IN PART OR AS A WHOLE WITHOUT THE WRITTEN PERMISSION OF THE MANUFACTURER IS PROHIBITED.	
				THIRD ANGLE PROJECTION  ALL UNITS ARE IN INCHES (mm)	
				Tolerances Unless Otherwise Specified Decimals: X = ±.1 Angles: ±0.5° .XX = ±.01 Fractions: ±1/8 .XXX = ±.005	
1	ADDED PURGE PORT	06-12-13	TRK	JWC	
REV	DESCRIPTION	DATE	REV BY	APP BY	
		DRAWING DATE: 05-24-11		APPROVED BY: PED	
		APP DATE: 06-18-13		PAGE: 1 OF 1	

Drawing Name: SA10V1 [SA250V1]	
ACCESSORIES:	
ACCESSORIES:	
ACCESSORIES:	
ACCESSORIES:	
ATEX RELATED: No	
DRAWING BY: MGP	APPROVED BY: PED
DRAWING DATE: 05-24-11	APP DATE: 06-18-13