



Manually operated gearbox

Manual torque up to 17 Nm

RVM25

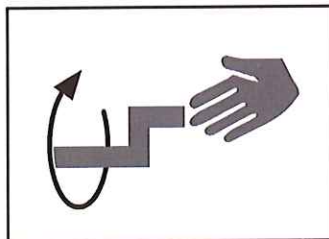
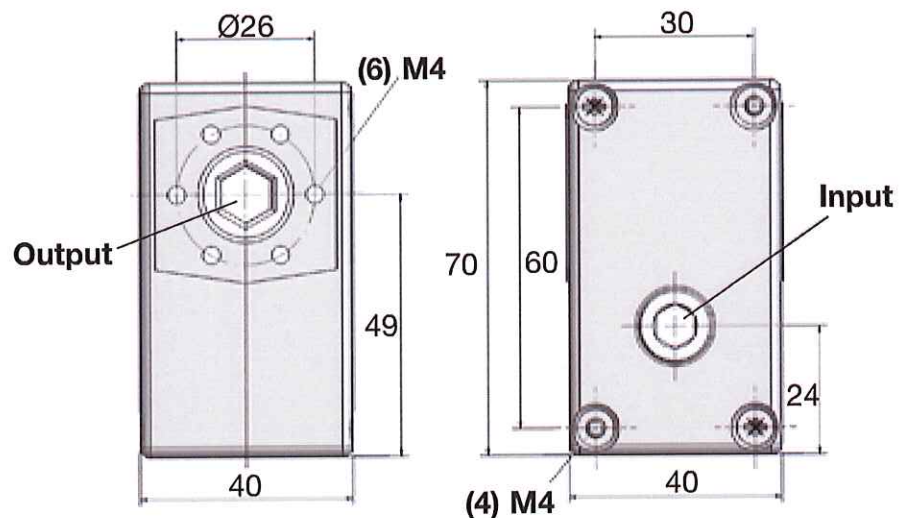
- **Compact manually operated gearbox**
- Ratios from 1:1 to 30:1
- Material:
Housing: die cast zinc

Accessories

- MBEX handle
- AHEX hexagonal shaft

Info

- Not suitable for motorised applications



For manual applications

DISCOUNTS

Qty	1+	10+	25+	50+
Disc. List	-5%	-15%	On request	

Part number	Ratio	Input	Output	Max torque (Nm)	Self locking	Price each 1 to 9
RVM25-1	1:1	hex 6mm	hex 9mm	2,0	No	115,00 €
RVM25-2	2:1	hex 6mm	hex 9mm	3,0	No	115,00 €
RVM25-3.25	3,25:1	hex 6mm	hex 9mm	4,0	Yes	115,00 €
RVM25-4.33	4,33:1	hex 6mm	hex 9mm	5,0	Yes	115,00 €
RVM25-7	7:1	hex 6mm	hex 9mm	7,0	Yes	115,00 €
RVM25-8.5	8,5:1	hex 6mm	hex 9mm	9,0	Yes	115,00 €
RVM25-17	17:1	hex 6mm	hex 9mm	12,0	Yes	115,00 €
RVM25-20	20:1	hex 6mm	hex 9mm	15,0	Yes	115,00 €
RVM25-30	30:1	hex 6mm	hex 9mm	17,0	Yes	115,00 €

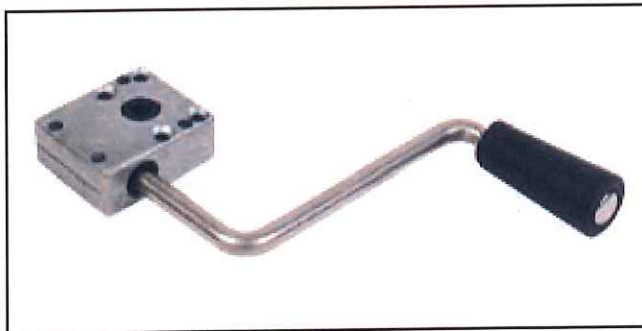
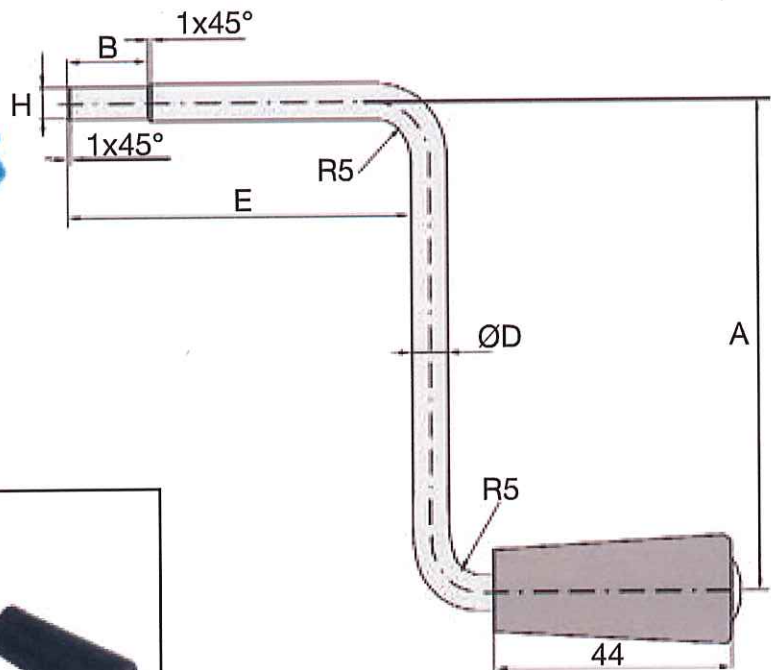
Dimensions in mm

Hexagonal ended handle

For use with manually operated bevel gearbox

MBEX

- Handle for operating RAM and RVM manual bevel gearboxes
- Material
 - Shaft: stainless steel
 - Rotating handle: plastic



Used with a RVM14 gearbox

DISCOUNTS

Qty	1+	10+	25+	50+
Disc. List		-5%	-15%	On request

Part number	A	H	ØD	E	B	Price each
						1 to 9
MBEX6-90	90	hex 6mm	7	60	20	57,50 €
MBEX7-90	90	hex 7mm	8	62	15	46,00 €

Dimensions in mm