



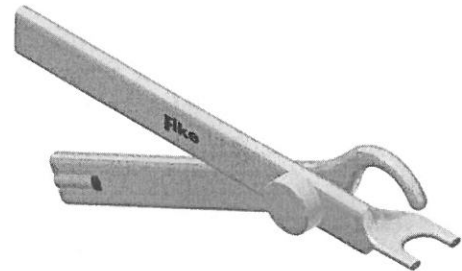
INSTRUCTIONS

RESET MULTI-TOOL

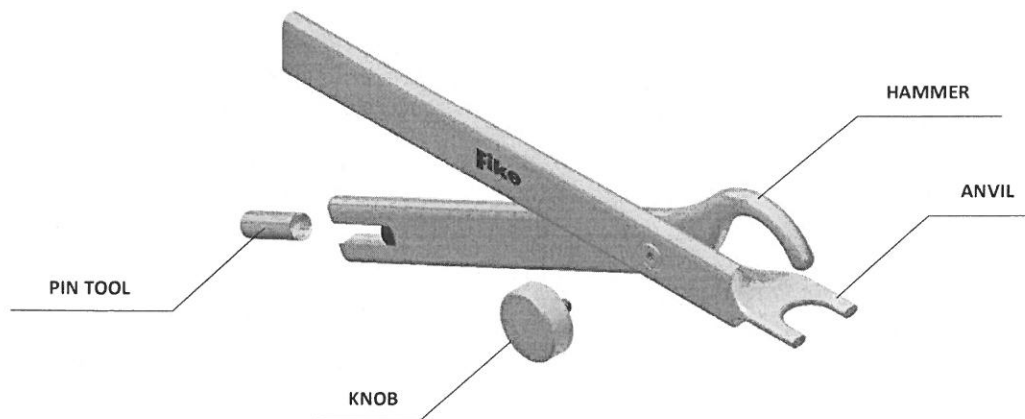
DESCRIPTION

Fike has designed a new Reset Tool (02-14782), this tool can be used on any of the operators / actuators shown the chart below and replaces the three existing tools. These operators / actuators are unique and have previously required different tools for reset. The Fike Reset Multi-Tool (02-14782) is a multipurpose tool that aids in the resetting of all these operators.

Additional functionality includes a pin to reset PROINERT pneumatic actuators and threaded knob for PROINERT blanking plug removal.



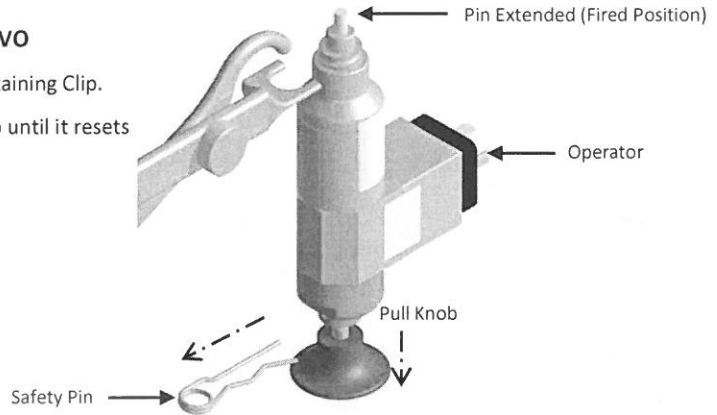
TOOL EQUIVALENCY CHART							
Part No.	IVO	IVPO	DFIA	DIVA	UVO	Pneumatic Actuator	Blanking Plug
70-286	X	X	X	X			
70-312					X		
IG71-0166						X	X
02-14782	X	X	X	X	X	X	X



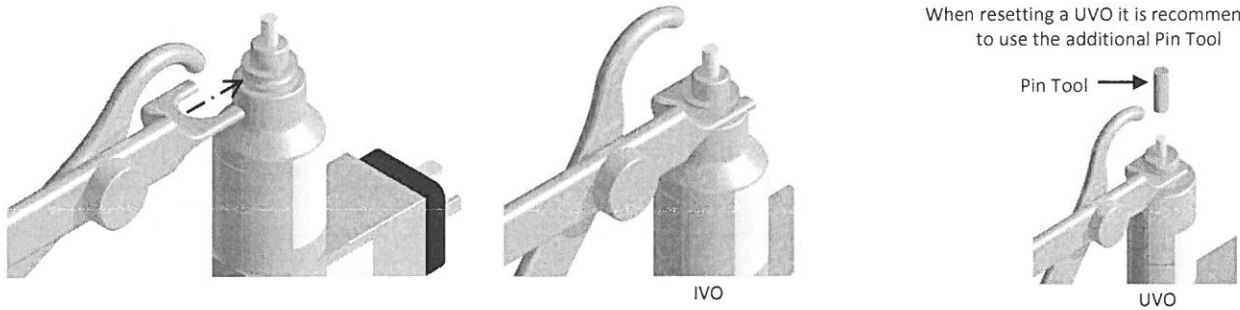


RESET INSTRUCTIONS FOR IVO – IVPO – DFIA – DIVA - UVO

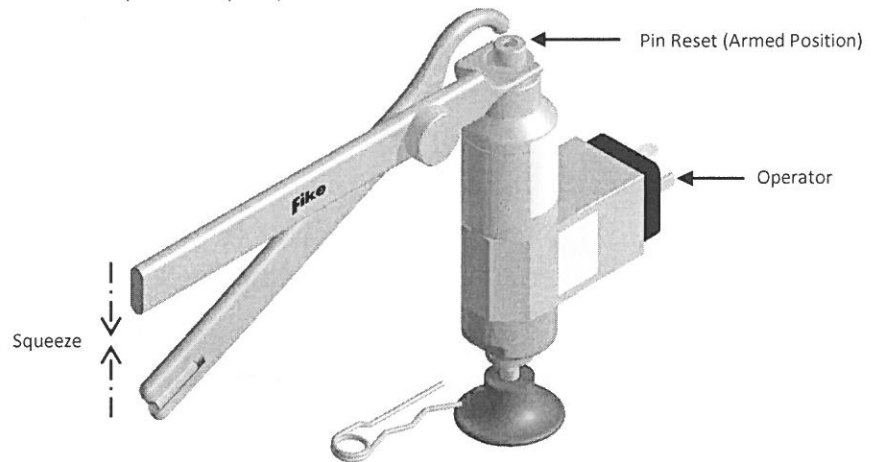
- 1) Remove the Operator from the Fike valve by removing Retaining Clip.
- 2) Remove Safety Pin and pull the Manual Strike Button knob until it resets (internal click is heard)



- 3) Align the forked end of the anvil handle around the grooved end of the Operator tip



- 4) Squeeze reset tool handles until Operator Pin resets (clicks into place)



IMPORTANT NOTE: Check that Operator Pin is reset to ensure device is armed before inserting on a suppression valve.



RESET INSTRUCTIONS FOR PNEUMATIC ACTUATOR

- 1) Remove Pin Tool from Reset Multi-Tool.
- 2) Remove the Operator from the Fike valve by removing Retaining Clip.
- 3) Slide Pin Tool over the tip of the Pneumatic Actuator.
- 4) Push the Pin Tool in by hand to depress the internal latching ball

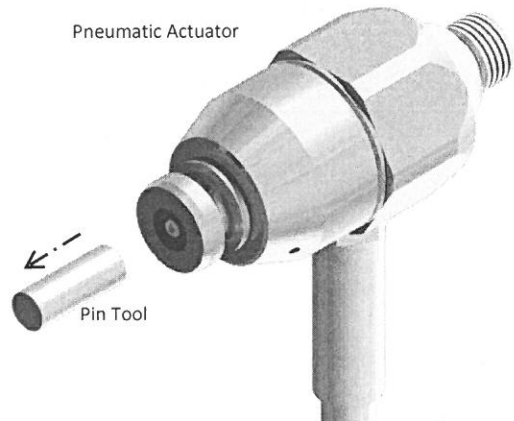
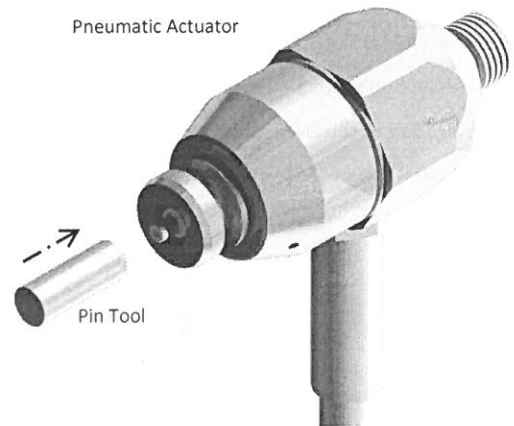
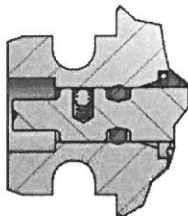
IMPORTANT NOTE: Do not attempt to force the tip of the Pneumatic Actuator to reset. It will retract on its own once the internal latch ball is moved with the Pin.

Tip Extended (Fired Position)



IMPORTANT NOTE: Check that Operator Pin is reset to ensure device is armed before inserting on a suppression valve.

Tip Reset (Armed Position)





INSTRUCTIONS FOR BLANKING PLUG REMOVAL

- 1) Remove Knob from the Reset Multi-Tool.
- 2) Remove the Retaining Clip from the PROINERT Valve.
- 3) Thread Knob into Blanking Plug.
- 4) Pull Knob to remove Blanking Plug.

The PROINERT Valve is now ready for an operator.

