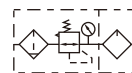


# Preparation unit——A, B Series

## AFC、BFC Series FR.L. Combination



### Symbol



### Product feature

1. The structure is delicate and compact, which is convenient for installation and application.
2. The pressed-in self-locking mechanism can prevent the abnormal movement of the set pressure caused by external interfere.
3. The pressure loss is low and the efficiency of water separating is high.
4. The quantity of oil dripping can be directly observed through transparent check dome.
5. In addition to standard type, lower pressure type is optional (The highest adjustable pressure is 0.4MPa).

### Specification

Model	AFC1500	AFC2000	BFC2000	BFC3000	BFC4000	
Fluid	Air					
Port size [Note1]	1/8"	1/4"	1/4"	3/8"	1/2"	
Filtering grade	40μm or 5μm					
Pressure range	Semi-auto and automatic drain:0.15~0.9MPa(20~130Psi) Manual drain:0.05~0.9MPa(7~130Psi)					
Max. pressure	1.0MPa(145Psi)					
Proof pressure	1.5MPa(215Psi)					
Temperature range	-5~70°C(unfreeze)					
Capacity of drain bowl	15CC			60CC		
Capacity of oil bowl	25CC			90CC		
Recommended lubricant	ISO VG 32 or equivalent					
Weight	500g			700g		
Constitute	Filter-Regulator	AFR1500	AFR2000	BFR2000	BFR3000	BFR4000
	Lubricator	AL1500	AL2000	BL2000	BL3000	BL4000

[Note1] PT thread, G thread and NPT thread are available.

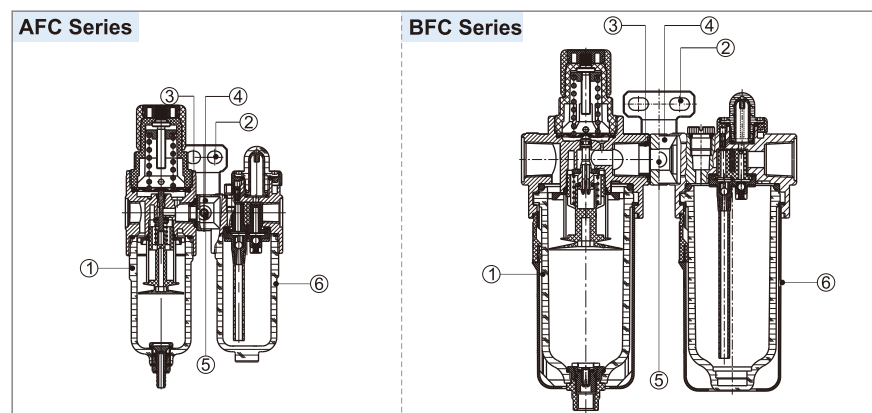
### Ordering code

AFC 2000 M □ □ 1 W □



① Model	② Port size	③ Drain type	④ Type code	⑤ Pressure gauge	⑥ Scale	⑦ Filtering grade	⑧ Thread type
AFC: A Series FR.L unit	1500: 1/8" 2000: 1/4"	Blank: Semi-auto drain M: Manual drain	Blank: Standard (0.9MPa)	Blank: Pressure gauge	1: MPa 2: psi	Blank: 40μm W : 5μm	Blank: PT (Scale: MPa or kgf/cm <sup>2</sup> & psi) G: G(Scale:bar) T: NPT(Scale:psi)
BFC: B Series FR.L unit	2000: 1/4" 3000: 3/8" 4000: 1/2"	Blank: Semi-auto drain M: Manual drain A: Automatic drain	L: Lower pressure (0.4MPa)	N: No pressure gauge	3: bar 4: kgf/cm <sup>2</sup> & psi		

### Inner structure



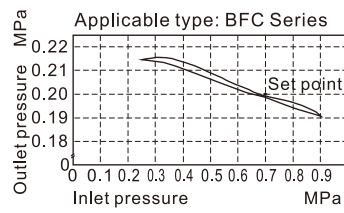
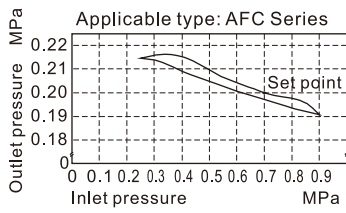
No.	Item
1	AFR, BFR Series filter & regulator
2	A, B Series bracket
3	A, B Series gasket
4	A, B Series fixed kit
5	Screw
6	AL, BL Series lubricator

# Preparation unit—A, B Series

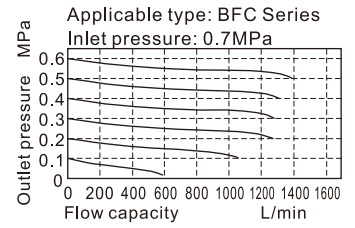
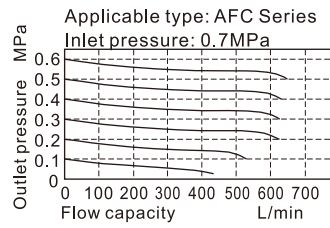
## AFC、BFC Series FR.L. Combination

### Pressure and feature of flow

#### Pressure chart



#### Flow chart

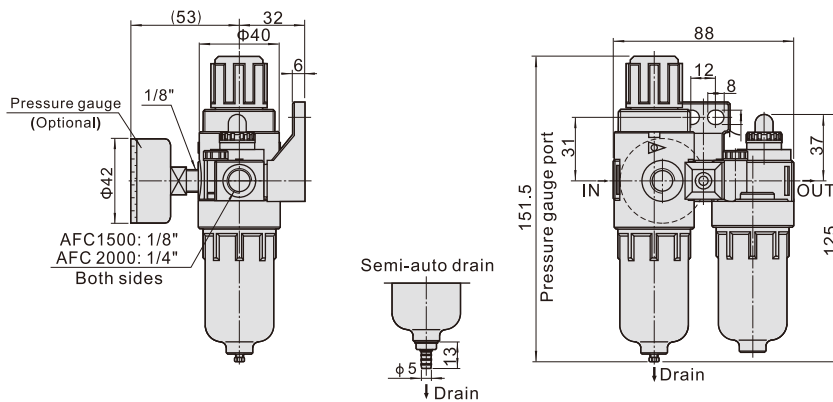


### Selection of drain mode

The drain modes of different series are different. Please refer to P250 for details.

### Dimensions

#### AFC Series



#### BFC Series

