

MODEL CODES SRD960 (continued)

LCD Language in English / German / Romanian. (e)(g)(p)	P
LCD Language in English / German / Lithuanian. (e)(g)(p)	Q
Without	S
Options	
Diaphragm Amplifier for double acting positioner. (j)(p)	-M
Premium Diagnostics Features (made with built-in pressures sensors) (HART and FoxCom); Build in pressure sensors (analog, FF, Profibus) (d)(g)(p)	-B
Infrared Interface for communication by means of IRCOM . . . (d)(g)(k)(p)	-I
Cover for protection of local push buttons (g)(k)	-X
Approved for SIL2 / SIL3 application (i)(p)	-Q
Custom Configuration (g)(p)	-T
ATEX application down to -40°C (l)	-F
Certificate EN 10204-2.1 - Certificate of compliance with the order	-1
Cage Clamp Connection (WAGO) instead of Screw terminals. . . (p)	-W
Feedback-Unit for Remote Mounting - Version of Position Transmitter only with a potentiometer (m)(p).	-H
Version for ESD Valve with PST functionalities (b)(p)	-E
Tag No. Labeling	
Stamped With Weather Resistant Color	-G
Stainless Steel Label Fixed With Wire	-L
<p>(a) Not released (b) ONLY WITH (additional Inputs/Outputs E) AND (Optional Feature -B) (d) Not available with Input / Communication D (e) Only with Display / Indication D (f) NOT WITH Version -B, Version C (g) Not available with Version -T (h) Not available with Display / Indication D (i) Only available for Version single-acting -B in connection with Input/Communication D and H</p> <p>(j) ONLY WITH (Version: C) (k) Not in connection with Display / Indication S (l) ONLY with Electrical Classification EDZ (m) Only available with Version T, Input/communication X, Additional inputs outputs N, Display S, Gauges S, Pneumatical connection X, Electrical classification EDZ or GDZ or ZZZ, Mounting preparation F, Language S (n) WITH (Version: B, C) OR WITH (Version: T) AND (Input: X) AND (Optional Features: H) (p) NOT WITH Version -L</p>	

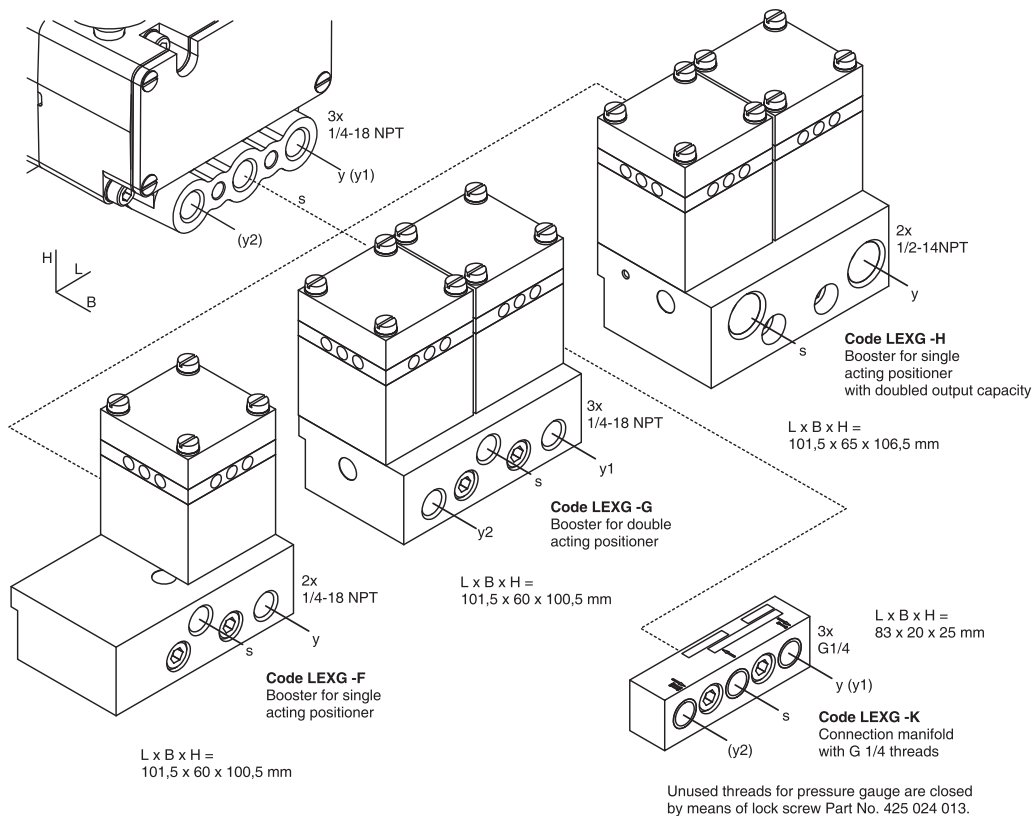
ACCESSORIES, FOR ALL DEVICES

Booster relays, Code LEXG -F, -G, -H

Connection manifold, Code LEXG -K, -L, -D, -D1

Lateral attachment to positioner

Air output see table on page 3



The use of boosters together with a spool valve amplifier is not recommended.

So avoid to select LEXG-G with SRD960-C

In case of need select LEXG-G with SRD960-Cxxxxxxxx-M

Model Codes Accessories

Parts for Intelligent Positioner	
Attachment kit	EBZG
for diaphragm actuators with casting yoke acc. NAMUR (incl. standard couple lever)	-H2
for diaphragm actuators with pillar yoke acc. NAMUR (incl. standard couple lever)	-K
for directly mounting (incl. standard couple lever)	-D
for mounting to rotary actuators acc. VDI/VDE 3845 (without bracket)	-R
for FlowTop / FlowPak	-E1
Further Attachment kits on request. See also http://www.foxboro-eckardt.eu/products/positioners_en.html .	
Couple lever	
standard (stroke max. 80 mm)	-A
extended (stroke max. 120 mm)	-B
extended (stroke max. 260 mm)	-A1
Manifold (for SRD960, SRD991 and SRI990)	LEXG
With Connection G 1/4.	-K
Booster Relay (for SRD960, SRD991 and SRI990, with connection 1/4 - 18 NPT)	
for Version single acting	-F
for Version double acting	-G
for Version single acting with doubled output capacity	-H
with connection G1/4 - 18	
for Version single acting	-F1
for Version double acting	-G1
for Version single acting with doubled output capacity	-H1
Booster Relay (mounted independent from positioner, for SRD960, SRD991 und SRI990, with connection G1/4)	
for Version single acting	-X1
for Version double acting	-Y1
for Version single acting with doubled output capacity	-Z1
Adapter	AD
Adapter 1/2" NPT to 3/4" NPT (stainless steel)	-A3
Adapter M20 x 1.5 to 1/2" - 14 NPT (internal thread) (Brass nickel plated)	-A5
Adapter M20 x 1.5 to 1/2" - 14 NPT (internal thread) (stainless steel)	-A6
Adapter M20 x 1.5 to PG13.5 (internal thread) (stainless steel)	-A7
Adapter M20 x 1.5 to G1/2" (internal thread) (stainless steel)	-A8
Adapter (plastic) M20 x 1.5 to PG13.5 (internal thread)	-A9
Cable Gland	BUSG
M20 x 1.5 stainless steel	-S6
M20 x 1.5 plastics, color gray	-K6
M20 x 1.5 plastics, color blue	-K7
M20 x 1.5 plastics, color white	-K9
M20 x 1.5 HF-cable gland for Fieldbus	-P4
M20 x 1.5 Plug-connector for Fieldbus (ss / threaded connection 7/8 - UN)	-F2
M20 x 1.5 Plug-connector for Profibus PA (ss / threaded connection M12)	-P3
M20 x 1.5 stainless steel EEx d	-S7
M20 x 1.5 brass zink plated EEx d	-S8
1/2-14 NPT cable gland 6...12 mm, Stainless steel, EEx d	-N1
1/2-14 NPT cable gland 6...12 mm, Steel zink plated, EEx d	-N2
1/2-14 NPT, brass zink plated, EEx d	-N3
M20 x 1.5 Plug, plastic	-V3
M20 x 1.5 Plug, EEx d / explosionproof certified, stainless steel	-V4
1/2-14 NPT Plug, EEx d / explosionproof certified, stainless steel	-V5
M20 x 1.5 Plug, brass zink plated, EEx d	-V6
1/2-14 NPT Plug, brass zink plated, EEx d	-V7

DIMENSIONS – Direct attachment to stroke actuators

