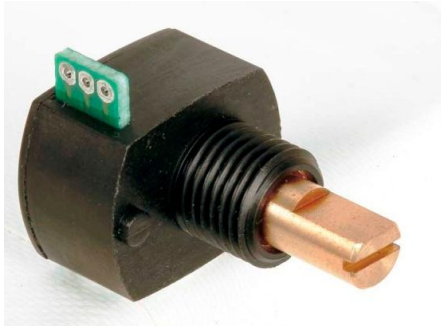


Contactless Hall-IC Angle Sensor

CP-2HB Series

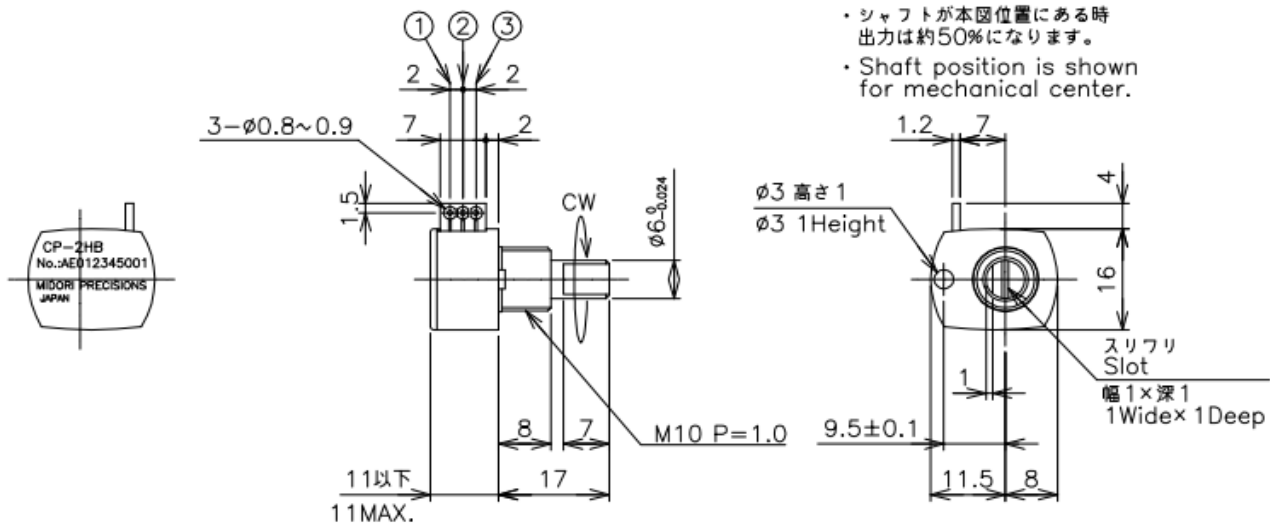


- Contactless Hall-IC Angle Sensor
- Effective Electrical Travel : $\pm 45^\circ$
- Independent Linearity : $\pm 3\%$
- Bushing Mount
- Low Cost

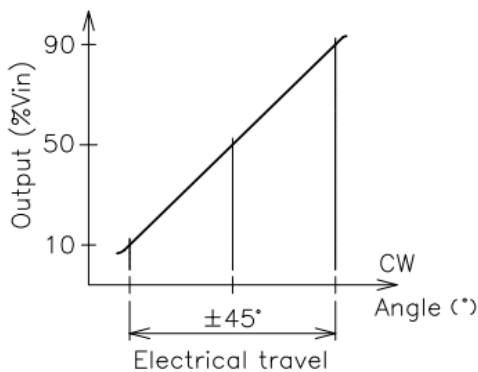
【Material】

- Housing : PBT
- Shaft : Copper Alloy

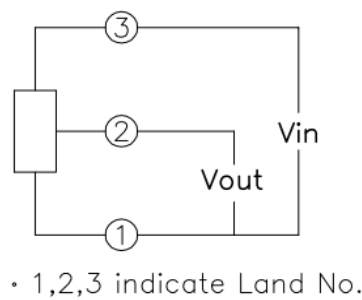
Dimension [mm]



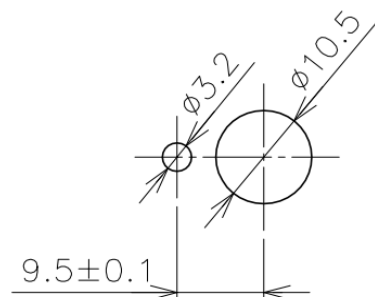
Output Characteristics



Schematic



Mounting



【Model No.】	CP-2HB
--------------------	---------------

【Electrical Specifications】

Effective Electrical Travel	±45(90°)	°
Output Ratio	10~90	%Vin
Independent Linearity	±3(FS=90°)	%FS
Input Voltage	DC5±0.5	V
Load Resistance	MIN. 10	kΩ
Supply Current	MAX. 10	mA
Insulation Resistance	MIN. 100/DC50V	MΩ
Temp. Characteristics -20 - +100°C(Reference Temp. 25°C)	±3	°

【Mechanical Specifications】

Total Mechanical Travel	360 Endless	°
Torque	MAX. 5	mN·m
Mass	Approx. 10	g

【Environmental Specifications】

Life Cycles	10 Million	Cycle
Operating Temperature Range	-20 ~ +100	°C
Storage Temperature Range	-20 ~ +100	°C
Vibration	98m/s ² 3 axis 2 hours	
EMS	100v/m 10k - 1GHz	
ESD (Case To Each Terminal)	±2.5	kV
EESD (Between Each Terminal)	±4	kV

■Accessories

M10 nut
Plain washer One piece each

■Handling Instruction

- Do not use Hall-IC sensor as a variable resistor.
- This product may be influenced from external magnetic field.
- Use this sensor in the place where is protected from ESD.