

Specification

1. Body - steel
2. Seal - polyurethane rubber
3. Locking ring - steel
4. Double row angular contact ball bearing
5. Locking ring - steel
6. Spindle - steel, hard chromed on sealing surface

SPECIALS ARE AVAILABLE SEE PAGE 10

The XP SWIVEL JOINT is generally used for slow continuous rotation and intermittent angular movements for high pressure systems.

Operational Guidelines

FLUIDS

Water, mineral oils and compressed air.

All fluids must be clean and free of abrasive and corrosive elements.

PRESSURE

200/400 bar maximum depends on size - see below
 For 40 (1 1/2") and 50 (2") maximum for compressed air is 20 bar.

TEMPERATURE

80°C maximum

SPEED

5 rpm - intermittent

FLOW CAPACITY

Nominal Size	Liquids *		Air ▲
	m ³ /h	l/min	m ³ /h
6 (1/4")	0.35	5.8	12
10 (3/8")	0.77	12.8	27
15 (1/2")	1.37	22.8	47
20 (3/4")	3.06	51	106
25 (1")	5.48	91	189
32 (1 1/4")	8.68	145	300
40 (1 1/2")	12.25	204	424
50 (2")	21.89	365	757

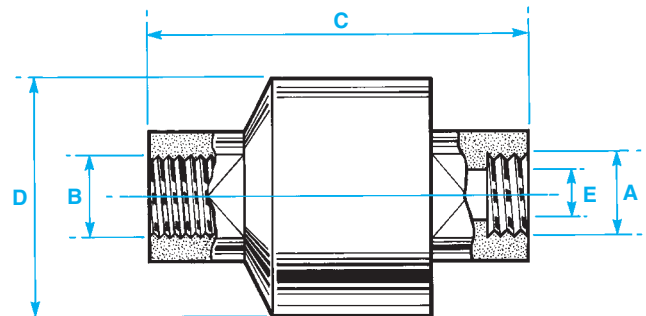
* Flow at a velocity of 3 m/s

▲ Flow of free air at 15 m/s and 6 bar

DIMENSIONS

Nom. Size	Part No.	A & B	C	D	E	Max Press.
6 (1/4")	17699	G. 3/4"	86	65	6.4	400
10 (3/8")	17681	G. 3/8"	86	65	9.5	400
15 (1/2")	17682	G. 1/2"	90	65	12.7	400
20 (3/4")	17683	G. 3/4"	100	75	19.0	400
25 (1")	17684	G. 1"	110	85	25.0	400
32 (1 1/4")	17685	G. 1 1/4"	125	100	32.0	300
40 (1 1/2")	16545	G. 1 1/2"	120	100	38.0	200
50 (2")	16473	G. 2"	135	155	51.0	200

Dimensions in millimetres



'G' is the designation for parallel pipe threads to B.S.2779 and ISO.228/1 (formerly B.S.P. parallel).