

MCRF (JC)-STF – FULLOHM

2k, 2.4k, 3k, 3.6k, 4k, 4.8k, 5k, 6k, 6.4k, 7.2k, 8k, 9.6k, 10k, 12k, 15k, 18k Metal Clad Wire Wound Resistors

Functions and Features

It is metal wire wound resistor with metal housing which is strong to external impact at rated power of 2kW ~ 85kW.

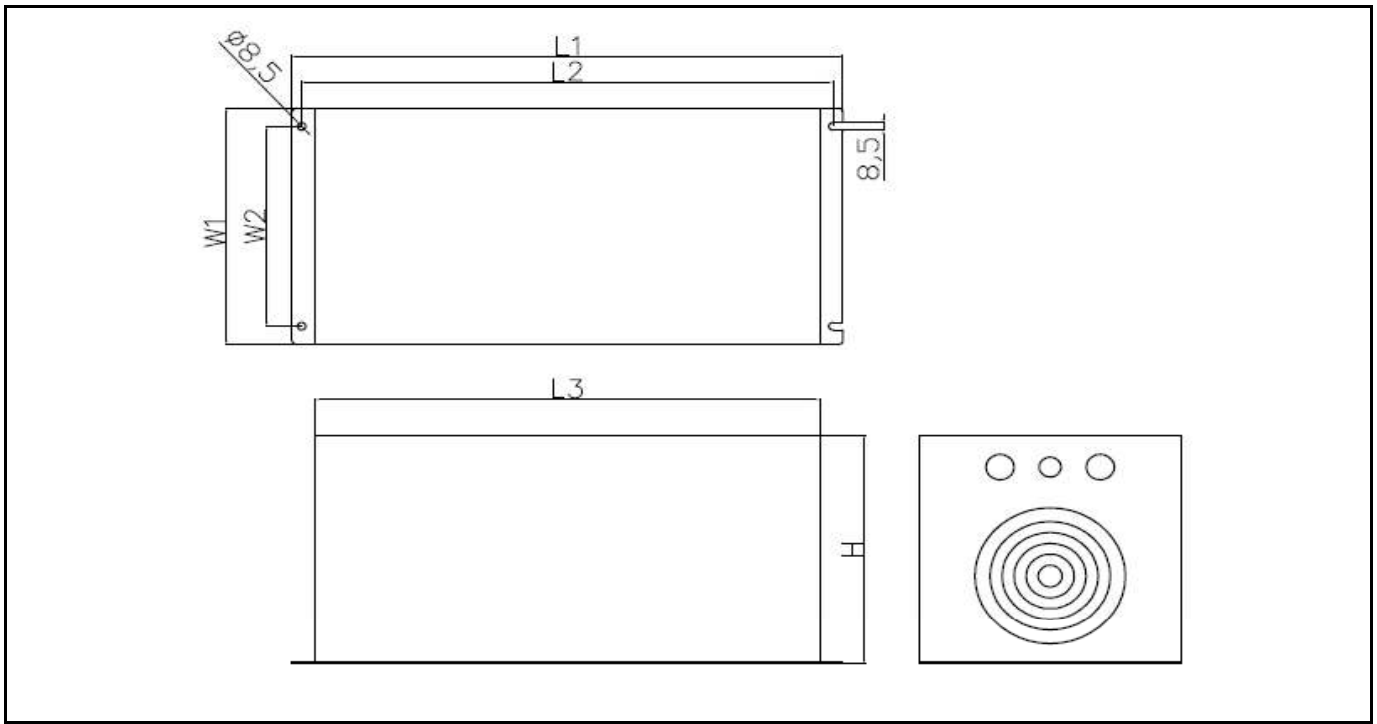
The resistance value can be selected from inducted winding or non-inducted winding from 0.1Ω.

It has a rectangular structure consisting of aluminum case with excellent thermal conductivity, the structure with excellent heat resistance and a non-combustible insulator to save the space.

This device may be used for electric power equipment, motor control circuit, regenerative braking resistor, inrush current prevention circuit and current detection resistor of general load resistance.



■ Outline Dimensions (mm)



MCRF (JC)-STF – FULLOHM

2k, 2.4k, 3k, 3.6k, 4k, 4.8k, 5k, 6k, 6.4k, 7.2k, 8k, 9.6k, 10k, 12k, 15k, 18k
Metal Clad Wire Wound Resistors

■ Outline Dimensions (mm)

MODEL	L1±2	L2±2	L3±2	W1±2	W2±2	H±2	FAN	FAN MODEL	T/B
MCRF-STF 2KW	550	530	503	180	140	126	1EA	3115PS -22T-B30 (AC220V)	204
MCRF-STF 2.4KW	550	530	503	180	140	126			
MCRF-STF 3KW	550	530	503	260	220	126			
MCRF-STF 3.6KW	550	530	503	260	220	126			
MCRF-STF 4KW	550	530	503	180	140	182		4715MS -22T-B50 (AC220V)	304
MCRF-STF 4.8KW	550	530	503	180	140	182			
MCRF-STF 5KW	550	530	503	180	140	182			
MCRF-STF 6KW	550	530	503	260	220	182			
MCRF-STF 7.2KW	550	530	503	260	220	182			
MCRF-STF 8KW	550	530	503	260	220	252			
MCRF-STF 9.6KW	550	530	503	260	220	252			
MCRF-STF 10KW	550	530	503	260	220	252			
MCRF-STF 12KW	550	530	503	260	220	322			
MCRF-STF 15KW	550	530	503	260	220	322			
MCRF-STF 18KW	550	530	503	260	220	392	5915PC -22T-B30 (AC220V)	604	
MCRF-STF 20KW	550	530	503	340	300	392			
MCRF-STF 22KW	550	530	503	340	300	462			
MCRF-STF 23KW	550	530	503	340	300	462			
MCRF-STF 24KW	550	530	503	340	300	462		1004	
MCRF-STF 25KW	550	530	503	340	300	462			
MCRF-STF 30KW	550	530	503	420	380	462			
MCRF-STF 36KW	550	530	503	420	380	462			
MCRF-STF 43KW	550	530	503	500	460	462			
MCRF-STF 50KW	550	530	503	500	460	532			4EA
MCRF-STF 58KW	550	530	503	500	460	602			
MCRF-STF 68KW	550	530	503	580	540	602	6EA	2004	
MCRF-STF 76KW	550	530	503	580	540	672			
MCRF-STF 85KW	550	530	503	580	540	742			

MCRF – FULLOHM

2k, 2.4k, 3k, 3.6k, 4k, 4.8k, 5k, 6k, 6.4k, 7.2k, 8k, 9.6k, 10k, 12k, 15k, 18k Metal Clad Wire Wound Resistors

Ordering information

타입 Type&Terminal MCRF-STF	정격전력 Power 2000	유도/무유도 Ind./non-ind. W	저항값 Resistance 50Ω	허용오차 Tolerance J
Std. (metal) W (wire)	2k to 85k (Watt)	W(inductive) N (non-ind.)	Any value	±1.0% (F) ±5.0% (J) ±10% (K)

Note: Tolerance ±5%(J) is standard.

Specifications and Performances

Characteristics	Standards	Test method
Rated Resistance and Resistance tolerance	Resistance Tolerance ± 1% (F) ± 5% (J) ± 10% (K)	
Temperature coefficient	±260ppm/°C max.	
Power rating load	Surface temperature rise 450°C max.	
Short-time overload	No evidence of arc damage etc. (0.5% + 0.05Ω)	$V = \sqrt{10 * P * R} \rightarrow 5\text{sec.}$
Insulation resistance	20MΩ min.	DC1,000V
Dielectric withstanding voltage	No evidence of mechanical damage or insulation breakdown (0.5% + 0.05Ω)	AC2,500V / 1 minute
High temperature exposure	No evidence of mechanical damage (0.5% + 0.05Ω)	275°C 2 hours
Thermal shock	No evidence of mechanical damage (0.5% + 0.05Ω)	a. Continuous 1) -55 : 30 min 2) 25 : 5 min 3) 155 : 30 min 4) 25 : 5 min
Low temperature storage	No evidence of mechanical damage (0.5% + 0.05Ω)	40°C 24hours → 25°C 2~8 hours