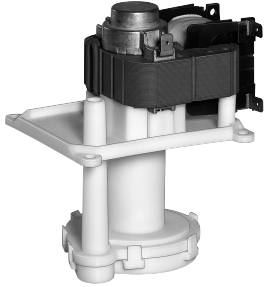


P5-3020

AC pump

Immersion pump



ebm-papst Landshut GmbH

Hofmark-Aich-Straße 25

D-84030 Landshut

Phone +49 (0) 871 707-0

Fax +49 (0) 871 707-465

info3@de.ebmpapst.com

www.ebmpapst.com

Nominal data

Type	P5-3020	
Phase		1~
Nominal voltage	VAC	230
Frequency	Hz	50
Power consumption	W	22
Current draw	A	0.19

ml = Max. load · me = Max. efficiency · fc = Free-conveying · cs = Customer specification · ce = Customer equipment
Subject to change



P5-3020

AC pump

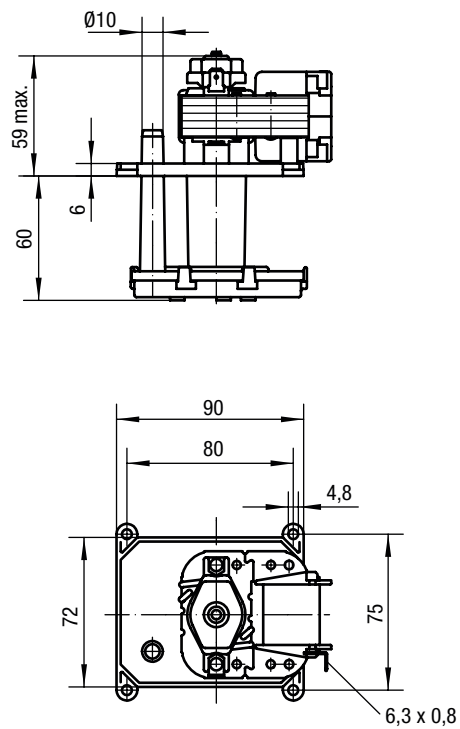
Immersion pump

Technical description

Weight	0.70 kg
Insulation class	B
Mode	S1
Cable	Flat plug 6.3 x 0.8
Protection class	I (with customer connection of protective earth)



Product drawing



Curves

