



Short Description



- Stainless steel IP68 compression load cell
- Hermetically sealed
- Suitable for hopper scales and vehicle testing facilities
- Built-in surge arrestors
- Current calibrated (sc-option)



Test certificate no. TC7815 Revision 0
C of C no R60/2000-NL1-10.10



Certificate no. 11-087

Available Models

Capacity	Accuracy	Full article description
10t	C3/C4	BM14G4-C3/C4-10t-15B-SC-W1
20t	C3/C4	BM14G4-C3/C4-20t-15B/20B-SC-W1
30t	C3/C4	BM14G4-C3/C4-30t-18B/20B-SC-W1
40t	C3/C4	BM14G4-C3/C4-40t-18B-SC-W1
50t	C3/C4	BM14G4-C3/C4-50t-20B-SC-W1

Technical Specifications BM14G4

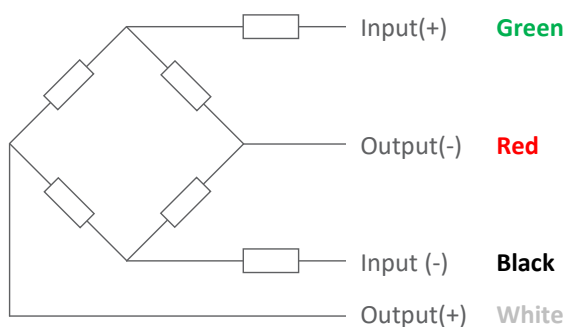
Accuracy Class		OIML R60 C3	OIML R60 C4
Output Sensitivity (= FS)	mV/V	2.0 ± 0.02	
Maximum Capacity (E _{max})	t	10, 20, 30, 40, 50	
Max. Number of Load Cell Intervals	n _{LC}	3000	4000
Ratio of min. LC Verification Interval	$Y = E_{max} / V_{min}$	8800	
Combined Error	%FS	≤± 0.0230	≤± 0.0175
Creep Error (30 minutes)	%FS	≤± 0.016	≤± 0.012
Temperature Effect on Zero (ZTC)	%FS/10°C	≤± 0.015	≤± 0.010
Temperature Effect on Sensitivity (STC)	%FS/10°C	≤± 0.011	≤± 0.009
Zero Balance	%FS	≤± 1.0	
Safe Overload	%FS	150	
Ultimate Overload	%FS	300	
Maximum Deflection	mm	0.0059 ~ 0.0106	
Excitation, Recommended Voltage	V	5 ~ 12	
Excitation, Maximum Voltage	V	18	
Input Resistance	Ω	700 ± 7	
Output Resistance	Ω	700 ± 7	
Insulation Resistance (50V)	MΩ	≥5000	
Compensated Temperature	°C	-10 ~ + 40	
Operating Temperature	°C	-35 ~ + 65	
Storage Temperature	°C	-40 ~ + 70	
Load Cell Weight	kg	4.0 ~ 4.5	
Element Material		Stainless Steel	
Ingress Protection (acc. to EN 60529)		IP68	
ATEX Classification (optional)		II1G Ex ia II1C T4	II1D Ex iaD 20 T73°C II3G Ex nL IIC T4

Wiring

Features:

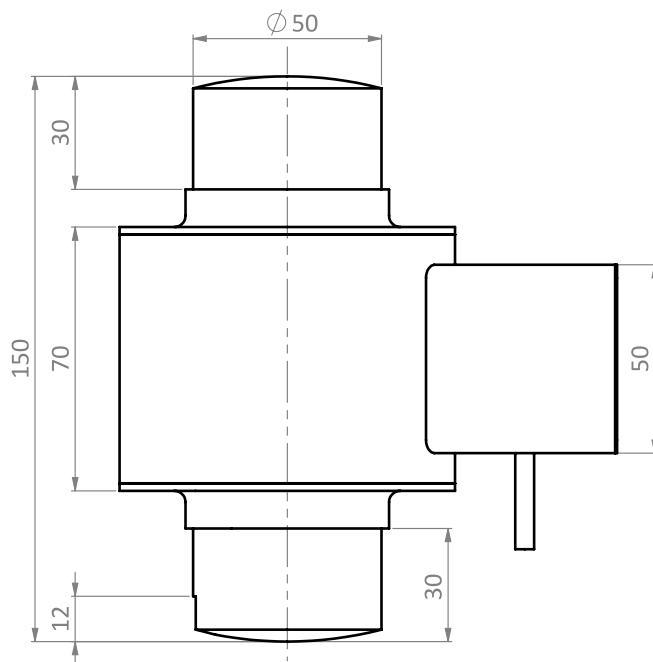
Cable type: Shielded, 4 conductor cable , conductor AWG 22
 Cable diameter: Ø 5.0mm
 Cable lengths: (10t/20t) 15m, (20t/30t/50t) 20m, (30t/40t) 18m
 Cable jacket: Polyurethane
 Shield not connected to element

4-Wire Connection Diagram

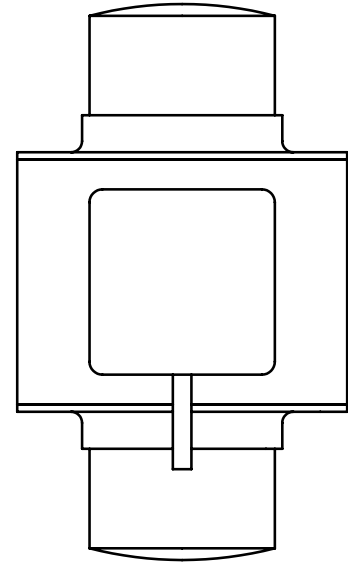


Dimensions in mm

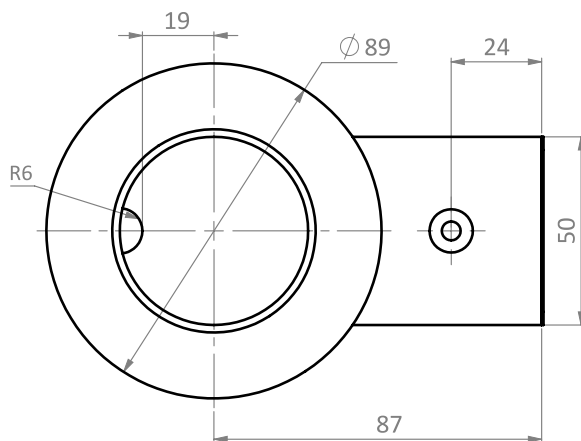
Front View



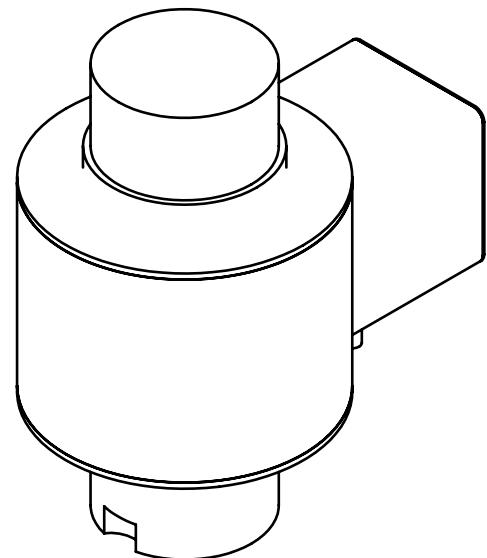
Side View



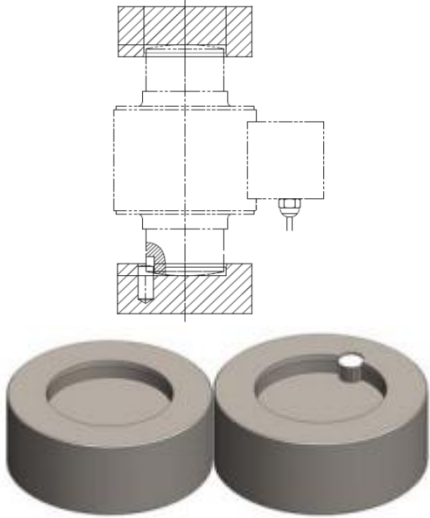

Bottom View



Isometric View



Available accessories

<p>BY-14-108-10-50t rocker support</p> <ul style="list-style-type: none">• 1 piece, top, without mounting holes• 1 piece, bottom, without mounting holes• Stainless steel• Anti-rotation pin in the bottom base	
<p>BY-14-125-10-50t rocker support</p> <ul style="list-style-type: none">• The same as the BY-14-108, but with mounting holes in the top base• Stainless steel• Anti-rotation pin in the bottom base	
<p>BY-14-126-10-50t rocker support</p> <ul style="list-style-type: none">• The same as the BY-14-108, but with mounting holes in both top and bottom base• Stainless steel• Anti-rotation pin in the bottom base	