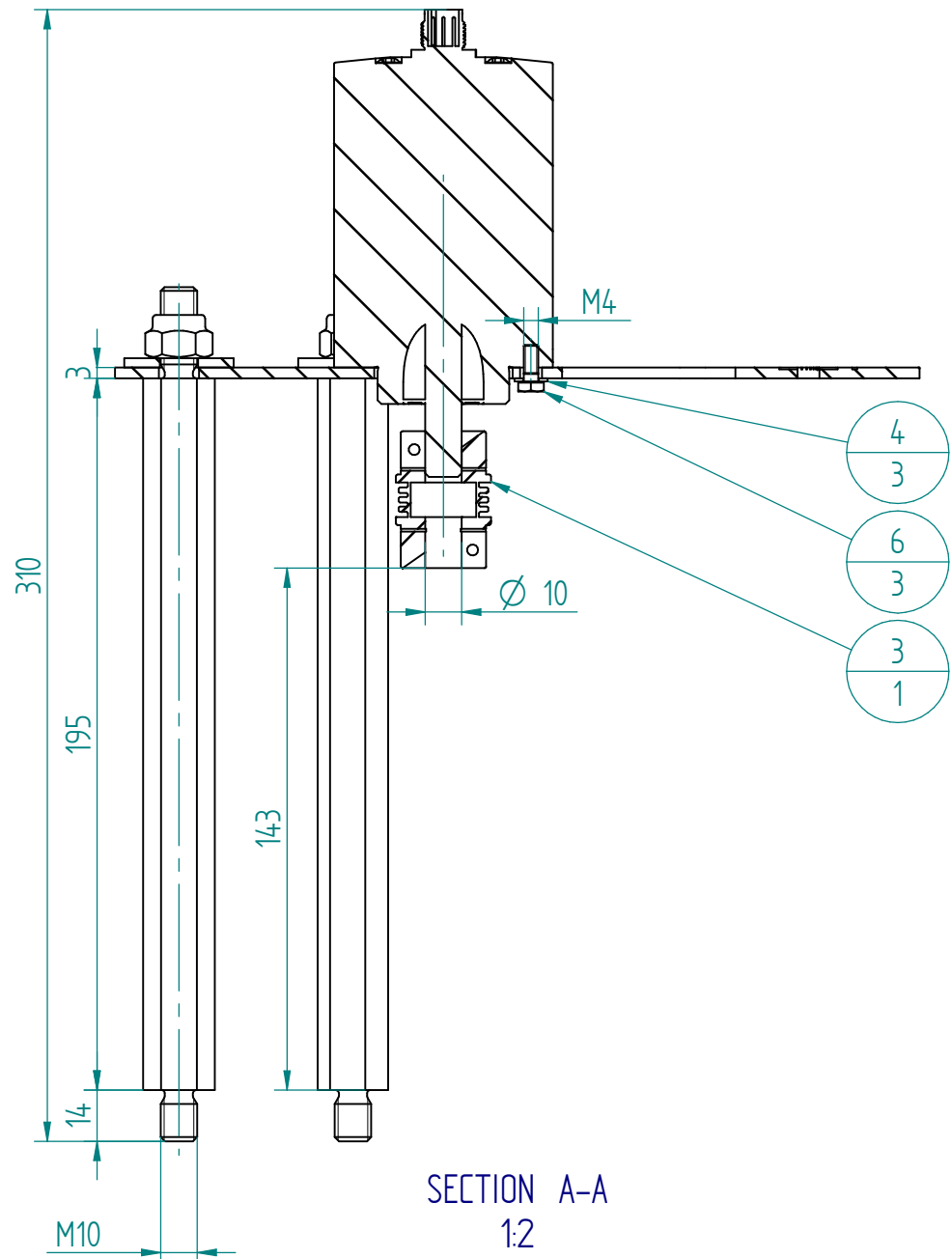
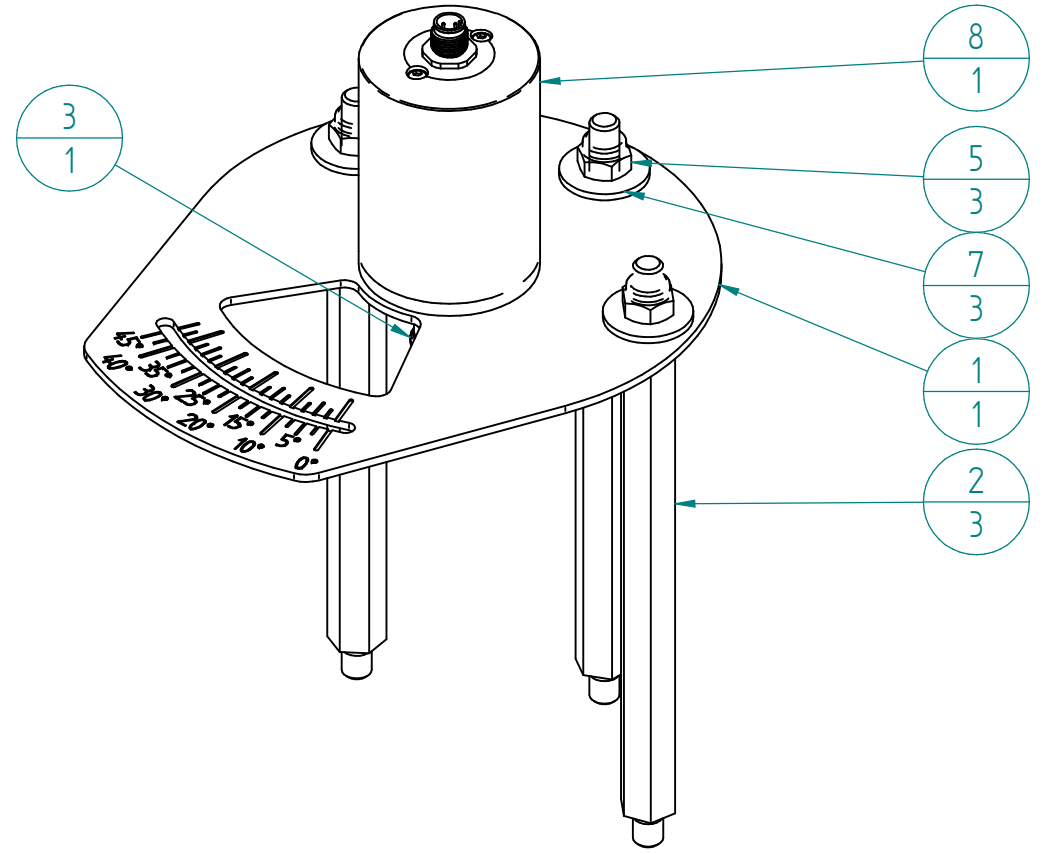
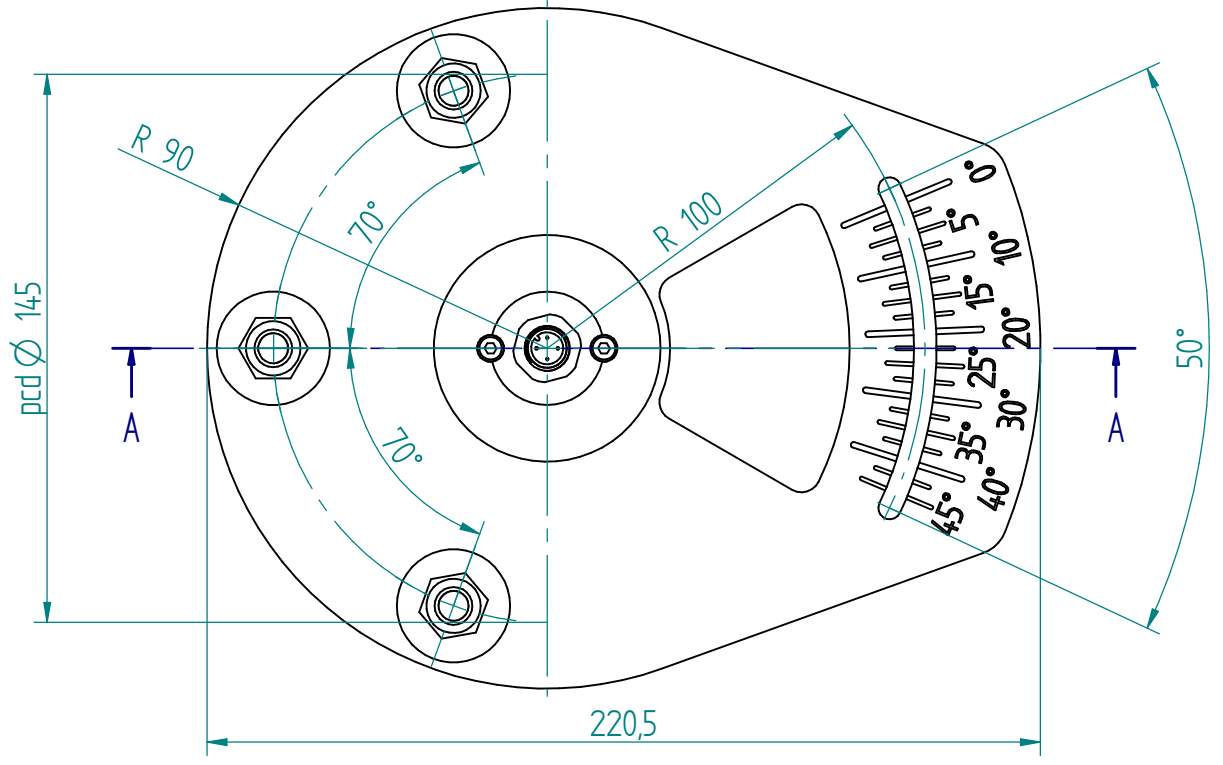


This drawing and all other information are produced and provided by Global Hydro Energy GmbH strictly for the purpose of erection, operation and maintenance of the subject hydro power plant. Any use for another purpose requires our prior written approval.

R2300



SECTION A-A
1:2



GH17- 348

Pos	Pcs.	Part	Rev	Titel	Dimension	Material	Material-Norm	Dimension-Norm	EMD	Weight	Typ
1	21	51077943		graved opening indicator FSP+KSP	Contour - 3,00 - 180,00x220,50+dx	AW-5754 ALMg3				0,2 kg	286
2	63	51078130		distance rod f. measurement system	Hexagon - SW 17,00 - 240,00	14301 X5CrNi18-10	DIN EN 10088-3	DIN EN10278/h11		1,2 kg	909
3	31	51102689		Metal bellows coupling	MBK Ø10 - Lg.37,5mm - Ø Ø23,4/Ø26	Alu elox.	-	-		0,0 kg	950
4	63	50129673		Plain washers - Normal series	04	200 HV - A2	DIN EN ISO 7089			0,0 kg	960
5	63	50159602		Prevailing torque type hexagon nut	M10	VA	DIN EN ISO 7040			0,0 kg	960
6	63	50165058		Hexagon head screw	M04x010	A2-070	DIN EN ISO 4017			0,0 kg	960
7	63	51031795		Plain washers - large series	10	200 HV - A2	DIN EN ISO 7093			0,0 kg	960
8	21	50149526		Analog Rotary Sensor WP	WP-90-420A-SA	--	-			1,9 kg	970

Rev. No.	Designed	Released Date	Released	Revision Description							
Rev. Nr.	Gezeichnet	Freigebe Datum	Freigegeben	Revisions Beschreibung							

Designation: **measu. system LES ASM FSP+KSP**
 Messsystem LES ZUS FSP+KSP
 HS DL45/H195

System No. (TIS): 1700.08.350.00

Kanten ohne Angabe nach DIN ISO 13715
 Edges without specification acc. DIN ISO 13715

Material: see drawing

Raw dimensions Rohmaße: see drawing

Rawmaterial standards - Normen Rohmaterial

Material Werkstoff	Dimension Maß-Norm	Material Definition Materialdefinition
		EMD - ME0036

Drawing number	Revision Nr.	Designed 3D	Date	DIN ISO 5456-2
Zeichnungsnummer	revision nr.	Gezeichnet 3D	Datum	
51111390		FH	12.12.2022	 EN ISO 5459 A B C
		FH	12.12.2022	
		SH	04.01.2023	
Status: released		Released SH	04.01.2023	

GlobalHydro

Scale Maßstab: 1:2,5
 Weight Gewicht: 3,5 kg

Working Step Arbeitsschritt

missing dimensions according 3D-file

Sheet Blatt: 1/1
 Sheet Size Blattgröße: A3

© AUTHORSHIP