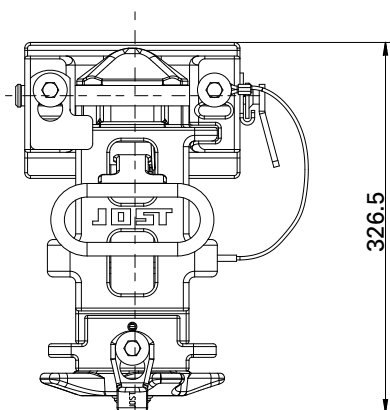
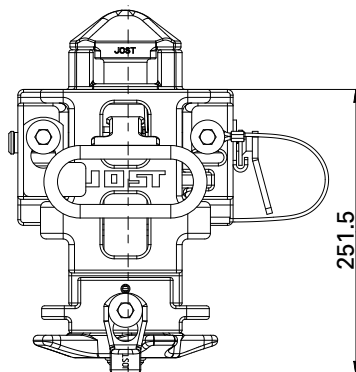


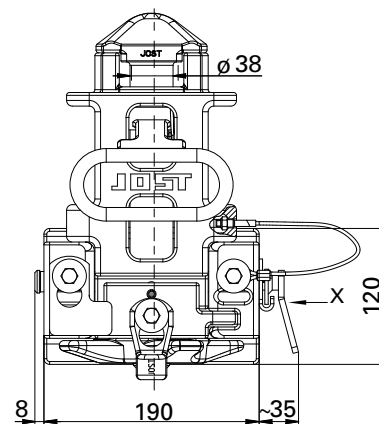
# HV 120V



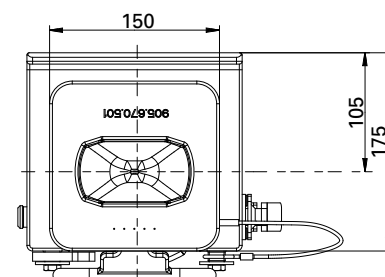
Lowered position



Position 0mm



Position 120mm



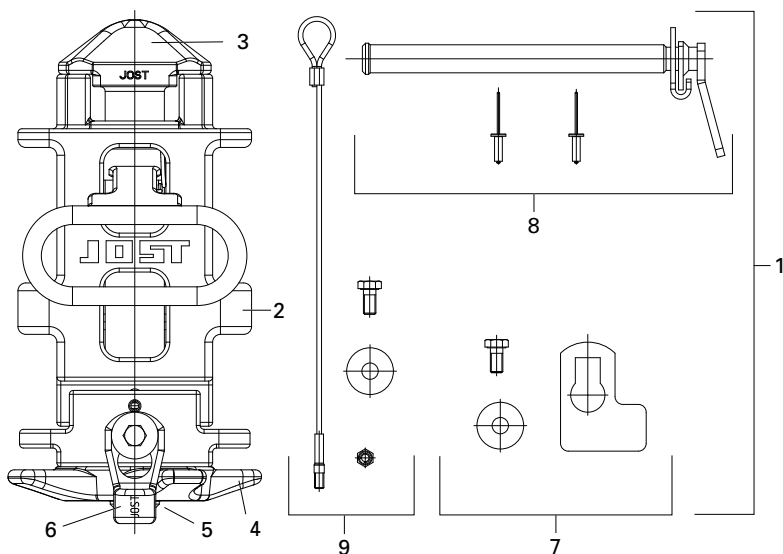
Application : Gooseneck chassis  
 rec. gross container weight: max. 34,000 kg  
 Locking pin:  $\varnothing$  38 mm [ISO]

Appropriate central support for vertical load transmission of the gross container weight has to be assembled on the vehicle side.

## Selection table / available versions

Weight (kg)	Order No.	Drawing No.
24.2	HV 120V	905.670.000

## Spare parts



Item Description	Order No.
1 Kit mounting parts complete	905.670.900
2 Adapter complete	incl. 3-6 905.670.500
3 Locking pin	915.000.353
4 Locking nut	915.000.303
5 Locking ring	915.000.190
6 Latch kit	905.159.500
7 Safety system kit	905.670.950
8 Pin kit	905.670.960
9 Steel cable kit	905.670.970