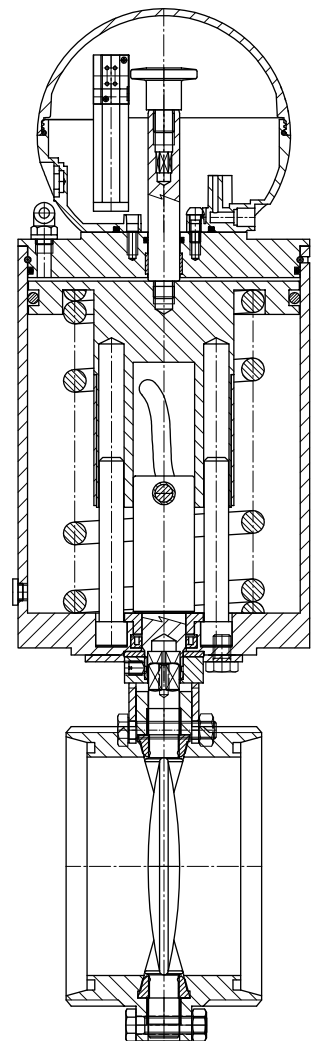
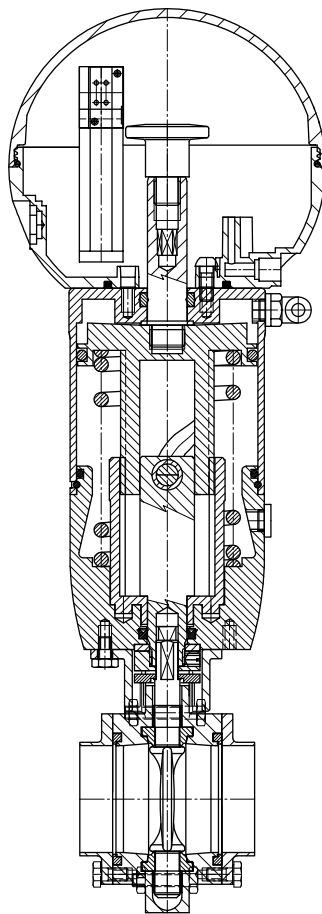
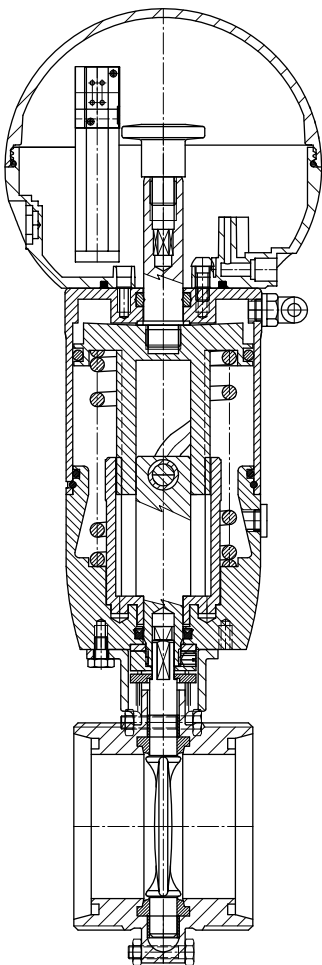


SPARE PARTS CATALOGUE

Pneumatic butterfly valves model: ZVF code: BEA*** serial: RVFB period approx: from 07/2014 to...**

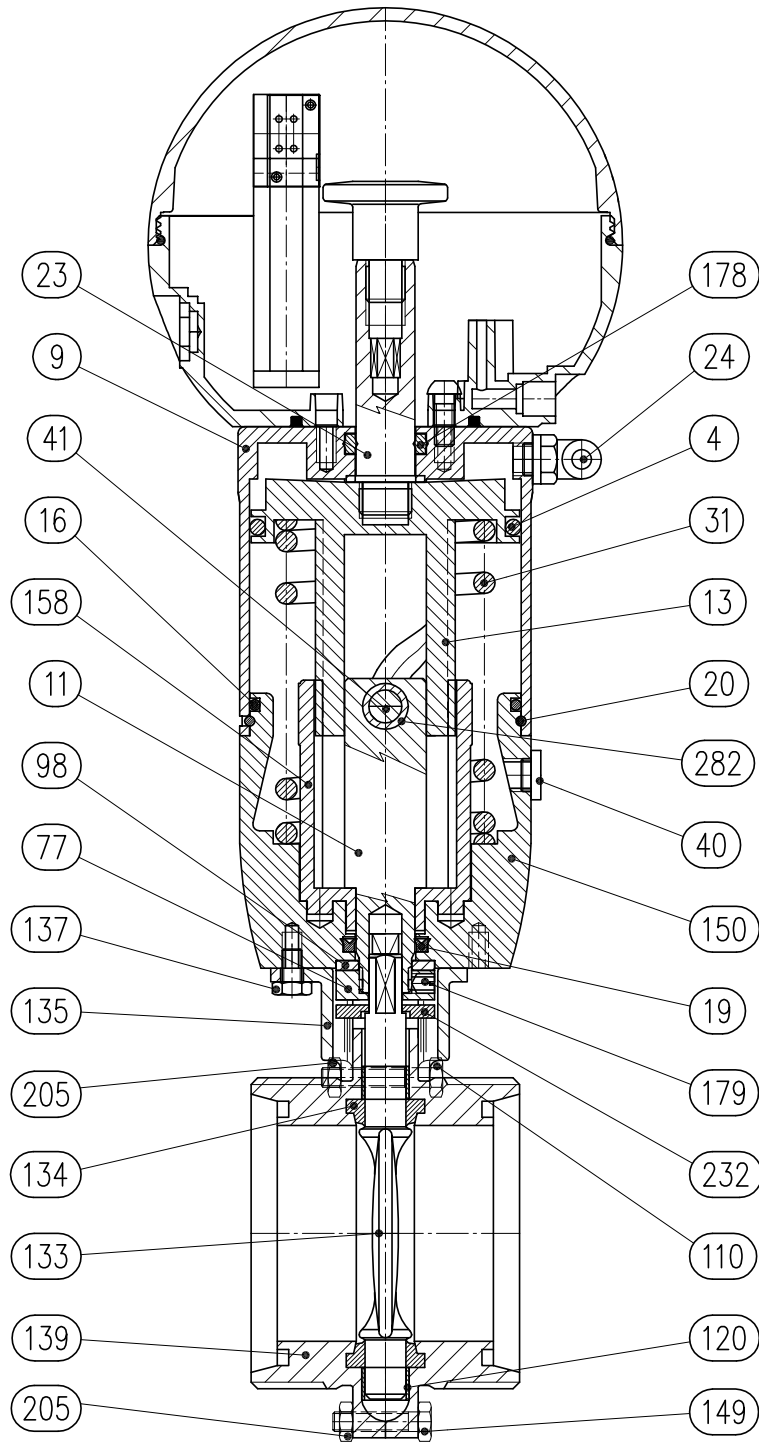


model: ZVF DN:10 - - 100

end connection: male-DIN/SMS/BS, weld-DIN/SMS, liner nut-DIN, clamp

gaskets material: SILICON/EPDM/VIT

actuator: SE/DA



282	Boccola/Guide Bush
232	Indicatore farfalla/Butterfly valve
205	Dado / Nut
179	Grano/Grub screw
178	Anello di tenuta / Seal ring
158	Tubo / Pipe
150	Tampone / Threaded plug
149	Vite/Socket head screw
139	Semicorpo/Casing
137	Vite/Socket head screw
135	Supporto/Plates
134	Guarnizione/Gasket
133	Farfalla/Butterfly valve
120	Boccola/Guide Bush
110	Vite/Socket head screw
98	Rondella/Insert
77	Ghiera / Screw ring nut
41	Spina di fermo / Pin
40	Tappo / Plug
31	Molla / Spring
24	Raccordo aria / Air fitting
23	Perno superioe / Upper shaft
20	Filo elastico / Lock wire
19	Anello di tenuta / Seal ring
16	Anello di tenuta / Seal ring
13	Pistone / Piston
11	Perno / Shaft
9	Cilindro / Cylinder
4	Anello di tenuta / Seal ring
Pos.	Description

model: ZVF DN:10 - - 100

end connection: male-DIN/SMS/BS, weld-DIN/SMS, liner nut-DIN, clamp

gaskets material: SILICON/EPDM/VIT

actuator: SE/DA

Pos.	Q.ty	Description	DN10	DN15-19.05	DN20	DN25-25.4	DN32	DN40-38.1	DN50-50.8
4	1	Seal ring	RAAGA6287	RAAGA6287	RAAGA6287	RAAGA6287	RAAGA6287	RAAGA6287	RAAGA6287
9	1	Cylinder	TNC400083AAA	TNC400083AAA	TNC400083AAA	TNC400083AAA	TNC400083AAA	TNC400083AAA	TNC400083AAA
11	1	Shaft	TNG400083AAA	TNG400083AAA	TNG400083AAA	TNG400083AAA	TNG400083AAA	TNG400083AAA	TNG400083AAA
13	1	Piston	TNE400083LAA	TNE400083LAA	TNE400083LAA	TNE400083LAA	TNE400083LAA	TNE400083LAA	TNE400083LAA
16	1	Seal ring	RAAGA4300	RAAGA4300	RAAGA4300	RAAGA4300	RAAGA4300	RAAGA4300	RAAGA4300
19	1	Seal ring	RAIGA2618	RAIGA2618	RAIGA2618	RAIGA2618	RAIGA2618	RAIGA2618	RAIGA2618
20	1	Lock wire	TNMFZ08325	TNMFZ08325	TNMFZ08325	TNMFZ08325	TNMFZ08325	TNMFZ08325	TNMFZ08325
23	1	Upper shaft	TNG401083AAA	TNG401083AAA	TNG401083AAA	TNG401083AAA	TNG401083AAA	TNG401083AAA	TNG401083AAA
24	1	Air fitting	RCSOA118	RCSOA118	RCSOA118	RCSOA118	RCSOA118	RCSOA118	RCSOA118
31	1	Spring	TNSFZ06516	TNSFZ06516	TNSFZ06516	TNSFZ06516	TNSFZ06516	TNSFZ06516	TNSFZ06516
40	1	Plug	RCS001PSA	RCS001PSA	RCS001PSA	RCS001PSA	RCS001PSA	RCS001PSA	RCS001PSA
41	1	Pin	TNO100371AAA	TNO100371AAA	TNO100371AAA	TNO100371AAA	TNO100371AAA	TNO100371AAA	TNO100371AAA
77	1	Nut	TNQ160000AAA	TNQ160000AAA	TNQ160000AAA	TNQ160000AAA	TNQ160000AAA	TNQ160000AAA	TNQ160000AAA
98	1	Insert	TNP160030PSA	TNP160030PSA	TNP160030PSA	TNP160030PSA	TNP160030PSA	TNP160030PSA	TNP160030PSA
110	2	Bolt	RBAAA06X25	RBAAA06X25	RBAAA06X35A	RBAAA06X35A	RBAAA06X35A	RBAAA06X35A	RBAAA06X35A
120	2	Guide bush	TOJ010010PVA	TOJ010010PVA	TOJ010011PVA	TOJ010011PVA	TOJ010011PVA	TOJ010011PVA	TOJ010012PVA
133	1	Butterfly	TWDBB0159	TWDBB0159	TWDBB0259	TWDBB0259	TWDBB0329	TWDBB0409	TWDBB0509
134	1	Gasket SILICON	VVF418S015	VVF418S015	VVF418S025	VVF418S025	VVF418S032	VVF418S040	VVF418S050
134	1	Gasket EPDM	VVF418B015	VVF418B015	VVF418B025	VVF418B025	VVF418B032	VVF418B040	VVF418B050
134	1	Gasket VIT	VVF418X015	VVF418X015	VVF418X025	VVF418X025	VVF418X032	VVF418X040	VVF418X050
135	1	Support	TOAAA015410	TOAAA015410	TOAAA025410	TOAAA025410	TOAAA025410	TOAAA025410	TOAAA025410
137	4	Bolt	RBAAA06X12A	RBAAA06X12A	RBAAA06X12A	RBAAA06X12A	RBAAA06X12A	RBAAA06X12A	RBAAA06X12A
139	2	Half bodies male DIN	TWDBB0101	TWDBB0151	TWDBB0201	TWDBB0251	TWDBB0321	TWDBB0401	TWDBB0501
139	2	Half bodies liner nut DIN	TWDBB0102	TWDBB0152	TWDBB0202	TWDBB0252	TWDBB0322	TWDBB0402	TWDBB0502
139	2	Half bodies weld DIN	TWDBB0103	TWDBB0153	TWDBB0203	TWDBB0253	TWDBB0323	TWDBB0403	TWDBB0503
139	2	Half bodies weld SMS				TWDBB0257		TWDBB0407	TWDBB0507
139	2	Half bodies CLAMP DIN	TWDBB0103C	TWDBB0153C	TWDBB0203C	TWDBB0253C	TWDBB0323C	TWDBB0403C	TWDBB0503C
139	2	Half bodies CLAMP SMS	TWDBB0107T	TWDBB0157T		TWDBB0257T		TWDBB0407T	TWDBB0507T
139	2	Half bodies SMS				TWDBB0258		TWDBB0408	TWDBB0508
139	2	Half bodies BS (RJT)				TWDBB0258R		TWDBB0408R	TWDBB0508R
149	()	Socket screw	RBAAA06X25 (2)	RBAAA06X25 (2)	RBAAA06X25 (2)	RBAAA06X25 (2)	RBAAA06X25 (2)	RBAAA06X25 (2)	RBAAA06X25 (4)
150	1	Threaded plug	TNA400083AAA	TNA400083AAA	TNA400083AAA	TNA400083AAA	TNA400083AAA	TNA400083AAA	TNA400083AAA
158	1	Pipe	TNE401083PSA	TNE401083PSA	TNE401083PSA	TNE401083PSA	TNE401083PSA	TNE401083PSA	TNE401083PSA
178	1	Sealing ring	RAHGA018	RAHGA018	RAHGA018	RAHGA018	RAHGA018	RAHGA018	RAHGA018
179	1	Grub screw	RBFAA06X06	RBFAA06X06	RBFAA06X06	RBFAA06X06	RBFAA06X06	RBFAA06X06	RBFAA06X06
205	()	Nut	RBIAA.M06 (2)	RBIAA.M06 (2)	RBIAA.M06 (2)	RBIAA.M06 (2)	RBIAA.M06 (2)	RBIAA.M06 (2)	RBIAA.M06 (4)
205	2	Nut	TNQAA006	TNQAA006	TNQAA006	TNQAA006	TNQAA006	TNQAA006	TNQAA006
232	1	Butterfly indicator	TNWPS914	TNWPS914	TNWPS914	TNWPS914	TNWPS914	TNWPS914	TNWPS914
282	2	Guide bush	TOJ008002AAA	TOJ008002AAA	TOJ008002AAA	TOJ008002AAA	TOJ008002AAA	TOJ008002AAA	TOJ008002AAA

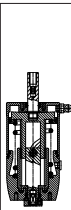
Pos.	Q.ty	Description	DN63.5	DN65	DN76.1	DN80	DN100-101.6
4	1	Seal ring	RAAGA6350	RAAGA6350	RAAGA6350	RAAGA6350	RAAGA6350
9	1	Cylinder	TNC400098AAA	TNC400098AAA	TNC400098AAA	TNC400098AAA	TNC400098AAA
11	1	Shaft	TNG400083AAA	TNG400083AAA	TNG400083AAA	TNG400083AAA	TNG400083AAA
13	1	Piston	TNE400098LAA	TNE400098LAA	TNE400098LAA	TNE400098LAA	TNE400098LAA
16	1	Seal ring	RAAGA4362	RAAGA4362	RAAGA4362	RAAGA4362	RAAGA4362
19	1	Seal ring	RAIGA2618	RAIGA2618	RAIGA2618	RAIGA2618	RAIGA2618
20	1	Lock wire	TNMFZ09525	TNMFZ09525	TNMFZ09525	TNMFZ09525	TNMFZ09525
23	1	Upper shaft	TNG401083AAA	TNG401083AAA	TNG401083AAA	TNG401083AAA	TNG401083AAA
24	1	Air fitting	RCSOA118	RCSOA118	RCSOA118	RCSOA118	RCSOA118
31	1	Spring	TNSFZ09016	TNSFZ09016	TNSFZ09016	TNSFZ09016	TNSFZ09016
40	1	Plug	RCS001PSA	RCS001PSA	RCS001PSA	RCS001PSA	RCS001PSA
41	1	Pin	TNO100371AAA	TNO100371AAA	TNO100371AAA	TNO100371AAA	TNO100371AAA
77	1	Nut	TNQ160000AAA	TNQ160000AAA	TNQ160000AAA	TNQ160000AAA	TNQ160000AAA
98	1	Insert	TNP160030PSA	TNP160030PSA	TNP160030PSA	TNP160030PSA	TNP160030PSA
110	2	Bolt	RBAAA06X35A	RBAAA06X35	RBAAA06X40	RBAAA06X40	RBAAA06X40
120	2	Guide bush	TOJ010012PVA	TOJ010013PVA	TOJ010012PVA	TOJ010014PVA	TOJ010015PVA
133	1	Butterfly	TWDBB0639	TWDBB0659	TWDBB0769	TWDBB0809	TWDBB1009
134	1	Gasket SILICON	VVF418S212	VVF418S065	VVF418S300	VVF418S080	VVF418S100
134	1	Gasket EPDM	VVF418B212	VVF418B065	VVF418B300	VVF418B080	VVF418B100
134	1	Gasket VIT	VVF418X212	VVF418X065	VVF418X300	VVF418X080	VVF418X100
135	1	Support	TOAAA025410	TOAAA025410	TOAAA080410	TOAAA080410	TOAAA080410
137	4	Bolt	RBAAA06X12A	RBAAA06X12A	RBAAA06X12A	RBAAA06X12A	RBAAA06X12A
139	2	Half bodies male DIN		TWDBB0651		TWDBB0801	TWDBB1001
139	2	Half bodies liner nut DIN		TWDBB0652		TWDBB0802	TWDBB1002
139	2	Half bodies weld DIN		TWDBB0653		TWDBB0803	TWDBB1003
139	2	Half bodies weld SMS	TWDBB0657		TWDBB0807		TWDBB1003
139	2	Half bodies CLAMP DIN		TWDBB0653C		TWDBB0803C	TWDBB1003C
139	2	Half bodies CLAMP SMS	TWDBB0657T		TWDBB0807T		TWDBB1007T
139	2	Half bodies SMS	TWDBB0658		TWDBB0808		TWDBB1008
139	2	Half bodies BS (RJT)	TWDBB0658R		TWDBB0808R		TWDBB1008R
149	()	Socket screw	RBAAA06X25 (4)	RBAAA06X25 (4)	RBAAA06X30 (4)	RBAAA06X30 (4)	RBAAA06X30 (4)
150	1	Threaded plug	TNA400098AAA	TNA400098AAA	TNA400098AAA	TNA400098AAA	TNA400098AAA
158	1	Pipe	TNE401083PSA	TNE401083PSA	TNE401083PSA	TNE401083PSA	TNE401083PSA
178	1	Sealing ring	RAHGA018	RAHGA018	RAHGA018	RAHGA018	RAHGA018
179	1	Grub screw	RBFAA06X06	RBFAA06X06	RBFAA06X06	RBFAA06X06	RBFAA06X06
205	()	Nut	RBIAA.M06 (4)	RBIAA.M06 (4)	RBIAA.M06 (4)	RBIAA.M06 (4)	RBIAA.M06 (4)
205	2	Nut	TNQAA006	TNQAA006	TNQAA006	TNQAA006	TNQAA006
232	1	Butterfly indicator	TNWPS914	TNWPS914	TNWPS914	TNWPS914	TNWPS914
282	2	Guide bush	TOJ008002AAA	TOJ008002AAA	TOJ008002AAA	TOJ008002AAA	TOJ008002AAA

model: ZVF DN:10 - - 100

end connection: male-DIN/SMS/BS, weld-DIN/SMS, liner nut-DIN, clamp

gaskets material: SILICON/EPDM/VIT

actuator: SE/DA

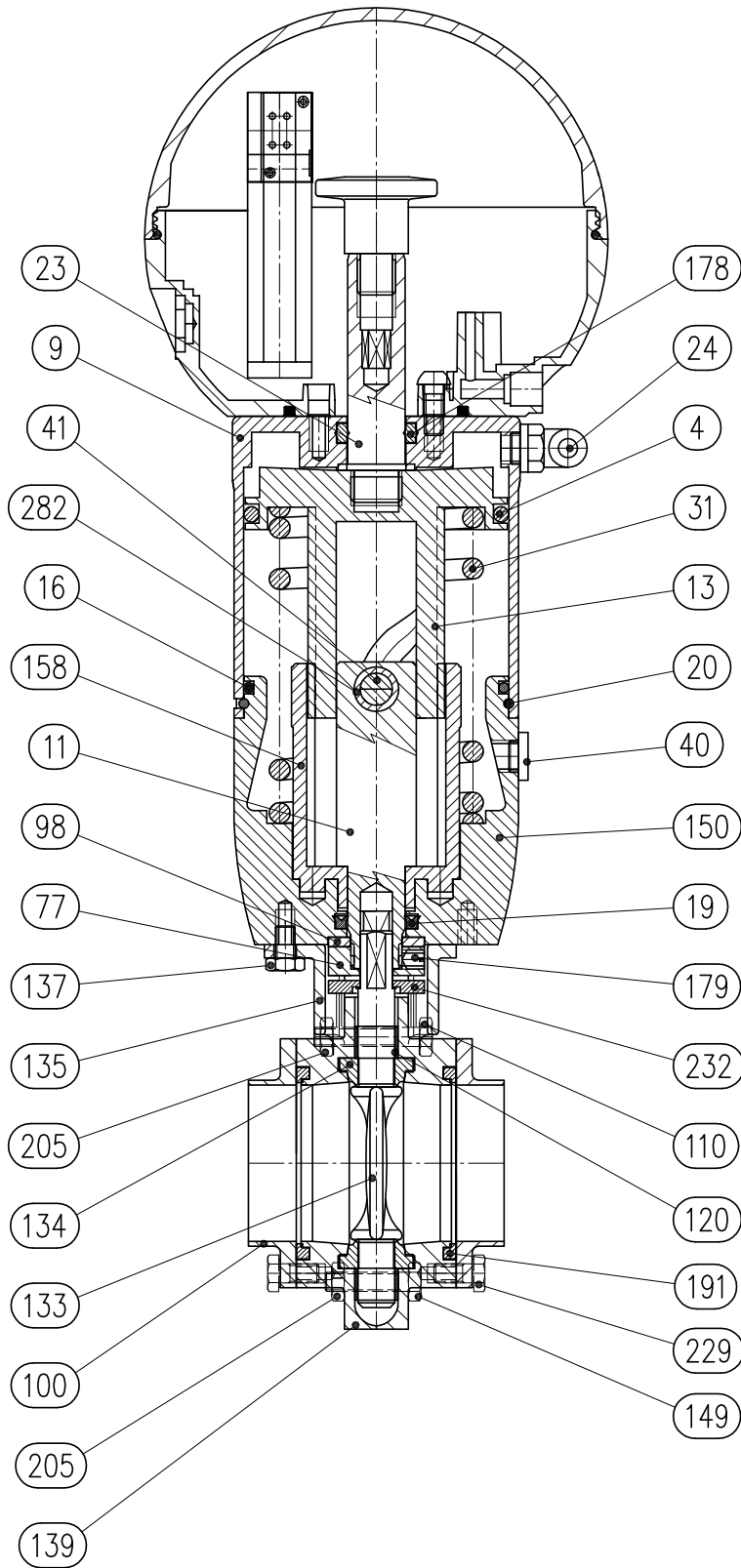


	DN10 - - 40	DN50 - 50.8	DN65 - 63.5	DN80 - 76.1	DN100 - 101.6
Complete actuator MACH83 S.A.	QNC400083AAA00				
Complete actuator MACH98 S.A.			QNC400098AAA00		
Position	4 - 9 - 11 - 13 - 16 - 19 - 20 - 23 - 24 - 31 - 40 - 41 - 77 - 98 - 150 - 158 - 178 - 179 - 282				
Complete actuator MACH83 D.A.	QNC400083AAA01				
Complete actuator MACH83 D.A. + spring	QNC400083AAA05				
Complete actuator MACH98 D.A.			QNC400098AAA01		
Complete actuator MACH98 D.A. + spring			QNC400098AAA06		
Position	4 - 9 - 11 - 13 - 16 - 19 - 20 - 23 - 24 - 31 - 41 - 77 - 98 - 150 - 158 - 178 - 179 - 282				

Cylinder service KIT NBR	TTEBEA083G	TTEBEA098G
Position	4 - 16 - 19 - 178	

model: ZVF DN:10 - - 100
 end connection: waf
 gaskets material: EPDM/VIT

actuator: SE/DA



282	Boccola/Guide Bush
232	Indicatore farfalla/Butterfly valve
229	Vite/Socket head screw
205	Dado/Nut
191	Anello di tenuta/Seal ring
179	Grano/Grub screw
178	Anello di tenuta / Seal ring
158	Tube / Pipe
150	Tampone / Threaded plug
149	Vite/Socket head screw
139	Semicorpo/Casing
137	Vite/Socket head screw
135	Supporto/Plates
134	Guarnizione/Gasket
133	Farfalla/Butterfly valve
110	Vite/Socket head screw
120	Boccola/Guide Bush
100	flangia/Flange
98	Rondella/Insert
77	Ghiera / Screw ring nut
41	Spina di fermo / Pin
40	Tappo / Plug
31	Molla / Spring
24	Raccordo aria / Air fitting
23	Perno superioe / Upper shaft
20	Filo elastico / Lock wire
19	Anello di tenuta / Seal ring
16	Anello di tenuta / Seal ring
13	Pistone / Piston
11	Perno / Shaft
9	Cilindro / Cylinder
4	Anello di tenuta / Seal ring
Pos.	Description

model: ZVF DN:10 - - 100
end connection: waf
gaskets material: EPDM/VIT

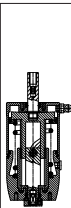
actuator: SE/DA

Pos.	Q.ty	Description	DN10	DN15-19.05	DN20	DN25-25.4	DN32	DN40-38.1	DN50-50.8
4	1	Seal ring	RAAGA6287	RAAGA6287	RAAGA6287	RAAGA6287	RAAGA6287	RAAGA6287	RAAGA6287
9	1	Cylinder	TNC400083AAA	TNC400083AAA	TNC400083AAA	TNC400083AAA	TNC400083AAA	TNC400083AAA	TNC400083AAA
11	1	Shaft	TNG400083AAA	TNG400083AAA	TNG400083AAA	TNG400083AAA	TNG400083AAA	TNG400083AAA	TNG400083AAA
13	1	Piston	TNE400083LAA	TNE400083LAA	TNE400083LAA	TNE400083LAA	TNE400083LAA	TNE400083LAA	TNE400083LAA
16	1	Seal ring	RAAGA4300	RAAGA4300	RAAGA4300	RAAGA4300	RAAGA4300	RAAGA4300	RAAGA4300
19	1	Seal ring	RAIGA2618	RAIGA2618	RAIGA2618	RAIGA2618	RAIGA2618	RAIGA2618	RAIGA2618
20	1	Lock wire	TNMFZ08325	TNMFZ08325	TNMFZ08325	TNMFZ08325	TNMFZ08325	TNMFZ08325	TNMFZ08325
23	1	Upper shaft	TNG401083AAA	TNG401083AAA	TNG401083AAA	TNG401083AAA	TNG401083AAA	TNG401083AAA	TNG401083AAA
24	1	Air fitting	RCSOA118	RCSOA118	RCSOA118	RCSOA118	RCSOA118	RCSOA118	RCSOA118
31	1	Spring	TNSFZ06516	TNSFZ06516	TNSFZ06516	TNSFZ06516	TNSFZ06516	TNSFZ06516	TNSFZ06516
40	1	Plug	RCS001PSA	RCS001PSA	RCS001PSA	RCS001PSA	RCS001PSA	RCS001PSA	RCS001PSA
41	1	Pin	TNO100371AAA	TNO100371AAA	TNO100371AAA	TNO100371AAA	TNO100371AAA	TNO100371AAA	TNO100371AAA
77	1	Nut	TNQ160000AAA	TNQ160000AAA	TNQ160000AAA	TNQ160000AAA	TNQ160000AAA	TNQ160000AAA	TNQ160000AAA
98	1	Insert	TNP160030PSA	TNP160030PSA	TNP160030PSA	TNP160030PSA	TNP160030PSA	TNP160030PSA	TNP160030PSA
100	2	Flange WAF DIN	TPM130010BBA	TPM130015BBA	TPM130020BBA	TPM130025BBA	TPM13032BBA	TPM130040BBA	TPM130050BBA
100	2	Flange WAF SMS				TPM015100BBA		TPM01512BBA	TPM015200BBA
110	2	Bolt	RBAAA06X25	RBAAA06X25	RBAAA06X35A	RBAAA06X35A	RBAAA06X35A	RBAAA06X35A	RBAAA06X35A
120	2	Guide bush	TOJ010011PVA	TOJ010011PVA	TOJ010011PVA	TOJ010011PVA	TOJ010011PVA	TOJ010011PVA	TOJ010012PVA
133	1	Butterfly	TWDBB0259	TWDBB0259	TWDBB0259	TWDBB0259	TWDBB0329	TWDBB0409	TWDBB0509
134	1	Gasket EPDM	VVF418B025	VVF418B025	VVF418B025	VVF418B025	VVF418B032	VVF418B040	VVF418B050
134	1	Gasket VIT	VVF418X025	VVF418X025	VVF418X025	VVF418X025	VVF418X032	VVF418X040	VVF418X050
135	1	Support	TOAAA025410	TOAAA025410	TOAAA025410	TOAAA025410	TOAAA025410	TOAAA025410	TOAAA025410
137	4	Bolt	RBAAA06X12A	RBAAA06X12A	RBAAA06X12A	RBAAA06X12A	RBAAA06X12A	RBAAA06X12A	RBAAA06X12A
139	2	Half bodies WAF	TWD002025BBA	TWD002025BBA	TWD002025BBA	TWD002025BBA	TWD002032BBA	TWD002040BBA	TWD002050BBA
149	()	Socket screw	RBAAA06X25 (2)	RBAAA06X25 (2)	RBAAA06X25 (2)	RBAAA06X25 (2)	RBAAA06X25 (2)	RBAAA06X25 (2)	RBAAA06X25 (4)
150	1	Threaded plug	TNA400083AAA	TNA400083AAA	TNA400083AAA	TNA400083AAA	TNA400083AAA	TNA400083AAA	TNA400083AAA
158	1	Pipe	TNE401083PSA	TNE401083PSA	TNE401083PSA	TNE401083PSA	TNE401083PSA	TNE401083PSA	TNE401083PSA
178	1	Sealing ring	RAHGA018	RAHGA018	RAHGA018	RAHGA018	RAHGA018	RAHGA018	RAHGA018
179	1	Grub screw	RBFAA06X06	RBFAA06X06	RBFAA06X06	RBFAA06X06	RBFAA06X06	RBFAA06X06	RBFAA06X06
191	2	Gasket WAF EPDM	TPH001036GMA	TPH001036GMA	TPH001036GMA	TPH001036GMA	TPH001042GMA	TPH001048GMA	TPH001060GMA
191	2	Gasket WAF VIT	TPH001036GDA	TPH001036GDA	TPH001036GDA	TPH001036GDA	TPH001042GDA	TPH001048GDA	TPH001060GDA
205	()	Nut	RBIAA.M06 (2)	RBIAA.M06 (2)	RBIAA.M06 (2)	RBIAA.M06 (2)	RBIAA.M06 (2)	RBIAA.M06 (2)	RBIAA.M06 (4)
205	2	Nut	TNAAA006	TNAAA006	TNAAA006	TNAAA006	TNAAA006	TNAAA006	TNAAA006
229	()	Socket screw	RBAAA06X12 (8)	RBAAA06X12 (8)	RBAAA06X12 (8)	RBAAA06X12 (8)	RBAAA06X12 (8)	RBAAA06X12 (8)	RBAAA06X12 (8)
232	1	Butterfly indicator	TNWPS914	TNWPS914	TNWPS914	TNWPS914	TNWPS914	TNWPS914	TNWPS914
282	2	Guide bush	TOJ008002AAA	TOJ008002AAA	TOJ008002AAA	TOJ008002AAA	TOJ008002AAA	TOJ008002AAA	TOJ008002AAA

Pos.	Q.ty	Description	DN63.5	DN65	DN76.1	DN80	DN100-101.6
4	1	Seal ring	RAAGA6350	RAAGA6350	RAAGA6350	RAAGA6350	RAAGA6350
9	1	Cylinder	TNC400098AAA	TNC400098AAA	TNC400098AAA	TNC400098AAA	TNC400098AAA
11	1	Shaft	TNG400083AAA	TNG400083AAA	TNG400083AAA	TNG400083AAA	TNG400083AAA
13	1	Piston	TNE400098LAA	TNE400098LAA	TNE400098LAA	TNE400098LAA	TNE400098LAA
16	1	Seal ring	RAAGA4362	RAAGA4362	RAAGA4362	RAAGA4362	RAAGA4362
19	1	Seal ring	RAIGA2618	RAIGA2618	RAIGA2618	RAIGA2618	RAIGA2618
20	1	Lock wire	TNMFZ09525	TNMFZ09525	TNMFZ09525	TNMFZ09525	TNMFZ09525
23	1	Upper shaft	TNG401083AAA	TNG401083AAA	TNG401083AAA	TNG401083AAA	TNG401083AAA
24	1	Air fitting	RCSOA118	RCSOA118	RCSOA118	RCSOA118	RCSOA118
31	1	Spring	TNSFZ09016	TNSFZ09016	TNSFZ09016	TNSFZ09016	TNSFZ09016
40	1	Plug	RCS001PSA	RCS001PSA	RCS001PSA	RCS001PSA	RCS001PSA
41	1	Pin	TNO100371AAA	TNO100371AAA	TNO100371AAA	TNO100371AAA	TNO100371AAA
77	1	Nut	TNQ160000AAA	TNQ160000AAA	TNQ160000AAA	TNQ160000AAA	TNQ160000AAA
98	1	Insert	TNP160030PSA	TNP160030PSA	TNP160030PSA	TNP160030PSA	TNP160030PSA
100	2	Flange WAF DIN		TPM013065BBA	TPM015300BBA	TPM013080BBA	TPM013100BBA
100	2	Flange WAF SMS	TPM015212BBA				TPM013100BBA
110	2	Bolt	RBAAA06X35A	RBAAA06X35	RBAAA06X40	RBAAA06X40	RBAAA06X40
120	2	Guide bush	TOJ010012PVA	TOJ010013PVA	TOJ010012PVA	TOJ010014PVA	TOJ010015PVA
133	1	Butterfly	TWDBB0639	TWDBB0659	TWDBB0769	TWDBB0809	TWDBB1009
134	1	Gasket EPDM	VVF418B212	VVF418B065	VVF418B300	VVF418B080	VVF418B100
134	1	Gasket VIT	VVF418X212	VVF418X065	VVF418X300	VVF418X080	VVF418X100
135	1	Support	TOAAA025410	TOAAA025410	TOAAA080410	TOAAA080410	TOAAA080410
137	4	Bolt	RBAAA06X12A	RBAAA06X12A	RBAAA06X12A	RBAAA06X12A	RBAAA06X12A
139	2	Half bodies WAF	TWD003212BBA	TWD002065BBA	TWD003300BBA	TWD002080BBA	TWD002100BBA
149	()	Socket screw	RBAAA06X25 (4)	RBAAA06X25 (4)	RBAAA06X30 (4)	RBAAA06X30 (4)	RBAAA06X30 (4)
150	1	Threaded plug	TNA400098AAA	TNA400098AAA	TNA400098AAA	TNA400098AAA	TNA400098AAA
158	1	Pipe	TNE401083PSA	TNE401083PSA	TNE401083PSA	TNE401083PSA	TNE401083PSA
178	1	Sealing ring	RAHGA018	RAHGA018	RAHGA018	RAHGA018	RAHGA018
179	1	Grub screw	RBFAA06X06	RBFAA06X06	RBFAA06X06	RBFAA06X06	RBFAA06X06
191	2	Gasket WAF EPDM	TPH001071GMA	TPH001077GMA	TPH001083GMA	TPH001092GMA	TPH001099GMA
191	2	Gasket WAF VIT	TPH001071GDA	TPH001077GDA	TPH001083GDA	TPH001092GDA	TPH001099GDA
205	()	Nut	RBIAA.M06 (4)	RBIAA.M06 (4)	RBIAA.M06 (4)	RBIAA.M06 (4)	RBIAA.M06 (4)
205	2	Nut	TNAAA006	TNAAA006	TNAAA006	TNAAA006	TNAAA006
229	()	Socket screw	RBAAA06X12 (8)	RBAAA06X12 (8)	RBAAA06X12 (8)	RBAAA06X12 (8)	RBAAA06X16 (12)
232	1	Butterfly indicator	TNWPS914	TNWPS914	TNWPS914	TNWPS914	TNWPS914
282	2	Guide bush	TOJ008002AAA	TOJ008002AAA	TOJ008002AAA	TOJ008002AAA	TOJ008002AAA

model: ZVF DN:10 - - 100
end connection: waf
gaskets material: EPDM/VIT

actuator: SE/DA



	DN10 - - 40	DN50 - 50.8	DN65 - 63.5	DN80 - 76.1	DN100 - 101.6
Complete actuator MACH83 S.A.	QNC400083AAA00				
Complete actuator MACH98 S.A.			QNC400098AAA00		
Position	4 - 9 - 11 - 13 - 16 - 19 - 20 - 23 - 24 - 31 - 40 - 41 - 77 - 98 - 150 - 158 - 178 - 179 - 282				
Complete actuator MACH83 D.A.	QNC400083AAA01				
Complete actuator MACH83 D.A. + spring	QNC400083AAA05				
Complete actuator MACH98 D.A.			QNC400098AAA01		
Complete actuator MACH98 D.A. + spring			QNC400098AAA06		
Position	4 - 9 - 11 - 13 - 16 - 19 - 20 - 23 - 24 - 31 - 41 - 77 - 98 - 150 - 158 - 178 - 179 - 282				

Cylinder service KIT NBR	TTEBEA083G	TTEBEA098G
Position	4 - 16 - 19 - 178	

model: ZVF DN:10 - - 100
end connection: WAFER
gaskets material: EPDM/VIT

	DN10 - - 20	DN25 - 25.4	DN32	DN40 - 38.1	DN50 - 50.8
Service KIT wetted part EPDM	TTABEA025E1	TTABEA025E1	TTABEA032E1	TTABEA040E1	TTABEA050E1
Service KIT wetted part VIT	TTABEA025V1	TTABEA025V1	TTABEA032V1	TTABEA040V1	TTABEA050V1
Position	134 - 191				

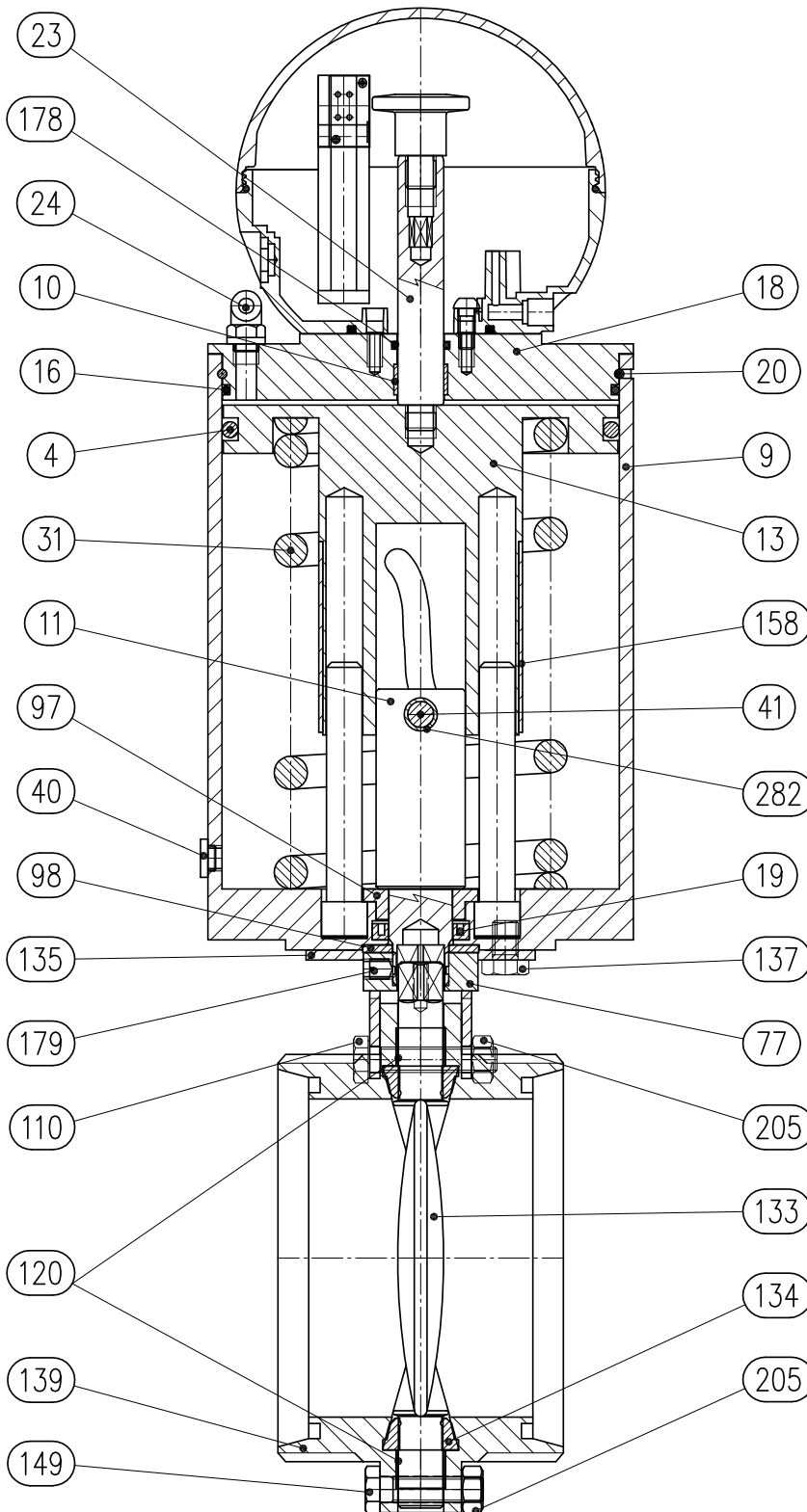
	DN63.5	DN65	DN76.1	DN80	DN100 - 101.6
Service KIT wetted part EPDM	TTABEA212E1	TTABEA065E1	TTABEA300E1	TTABEA080E1	TTABEA100E1
Service KIT wetted part VIT	TTABEA212V1	TTABEA065V1	TTABEA300V1	TTABEA080V1	TTABEA100V1
Position	134 - 191				

model: ZVF DN:125 - 150

end connection: male-DIN, weld-DIN, liner nut-DIN, clamp

gaskets material: SILICON/EPDM/VIT

actuator: SE/DA



282	Boccola/Guide Bush
205	Dado/Nut
179	Grano/Grub screw
178	Anello di tenuta/Seal ring
158	Tubo/Pipe
149	Vite/Socket head screw
139	Semicorpo/Casing
137	Vite/Socket head screw
135	Supporto/Plates
134	Guarnizione/Gasket
133	Farfalla/Butterfly valve
120	Boccola/Guide Bush
110	Vite/Socket head screw
98	Rondella/Insert
97	Boccola/Guide Bush
77	Dado/Nut
41	Spina di fermo/Rotating pen
40	Tappo/Plug
31	Molla/Spring
24	Raccordo aria/Air connection
23	Perno superiore/Upper pin
20	Filo elastico/Snap ring
19	Anello di tenuta/Seal ring
18	Tampone filo/Stopper cylinder
16	Anello di tenuta/Seal ring
13	Pistone/Piston
11	Perno/Pin
10	Boccola/Guide Bush
9	Cilindro/Cylinder
4	Anello di tenuta/Seal ring
Pos.	Descrizione

model: ZVF DN:125 - 150

end connection: male-DIN, weld-DIN, liner nut-DIN, clamp

gaskets material: SILICON/EPDM/VIT

actuator: SE/DA

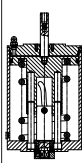
Pos.	Q.ty	Description	DN125	DN150
4	1	Seal ring	RAAGA8562	RAAGA8562
9	1	Cylinder	TNC400156AAA	TNC400156AAA
10	1	Bush	TOJTE01815	TOJTE01815
11	1	Shaft	TNG400156AAA	TNG400156AAA
13	1	Piston	TNE400156LAA	TNE400156LAA
16	1	Seal ring	RAAGA4587	RAAGA4587
18	1	Threaded plug	TNA400156AAA	TNA400156AAA
19	1	Seal ring	RAIGA100	RAIGA100
20	1	Lock wire	TNMFZ15630	TNMFZ15630
23	1	Upper shaft	TNG401156AAA	TNG401156AAA
24	1	Air fitting	RCSOA118	RCSOA118
31	1	Spring	TNSFZ13030	TNSFZ13030
40	1	Plug	RCS001PSA	RCS001PSA
41	1	Pin	TNO100730AAA	TNO100730AAA
77	1	Nut	TNQ220000AAA	TNQ220000AAA
97	1	Bush	TOJDA02550	TOJDA02550
98	1	Insert	TNP220030OAA	TNP220030OAA
110	2	Bolt	RBAAA10X50	RBAAA10X50
120	2	Guide bush	TOJ015018PVA	TOJ015018PVA
133	1	Butterfly	TWDBB1259	TWDBB1509
134	1	Gasket SILICON	VVF418S125	VVF418S150
134	1	Gasket EPDM	VVF418B125	VVF418B150
134	1	Gasket VIT	VVF418X125	VVF418X150
135	()	Support	TOA400125AAA (2)	TOA400150AAA (2)
137	4	Bolt	RBAAA10X16	RBAAA10X16
139	2	Half bodies male DIN	TWDBB1251	TWDBB1501
139	2	Half bodies liner nut DIN	TWDBB1252	TWDBB1502
139	2	Half bodies weld DIN	TWD005125BBA	TWD005150BBA
139	2	Half bodies weld SMS		
139	2	Half bodies CLAMP DIN	TWDBB1253C	TWDBB1503C
139	2	Half bodies CLAMP SMS		
139	2	Half bodies male SMS		
139	2	Half bodies male BS (RJT)		
149	()	Socket screw	RBAAA10X40 (4)	RBAAA10X40 (4)
158	1	Pipe	TNE401156AAA	TNE401156AAA
178	1	Seal ring	RAAGA123	RAAGA123
179	1	Grub screw	RBFAA08X10	RBFAA08X10
205	()	Nut	RBIAA.M10 (6)	RBIAA.M10 (6)
282	2	Guide bush	TOJ009010AAA	TOJ009010AAA

model: ZVF DN:125 - 150

end connection: male-DIN, weld-DIN, liner nut-DIN, clamp

gaskets material: SILICON/EPDM/VIT

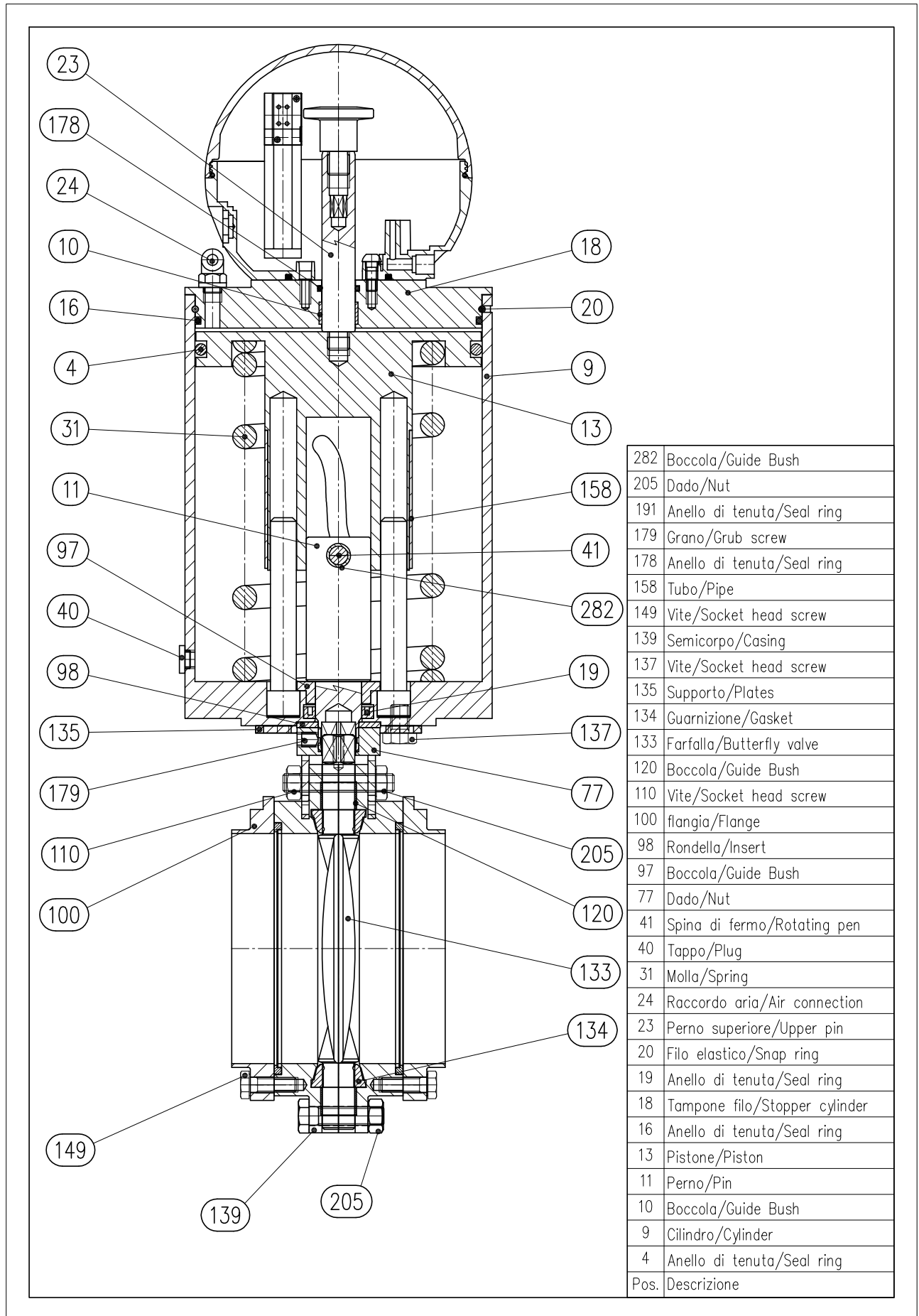
actuator: SE/DA

	DN125	DN150
		
Complete actuator MACH156 S.A.	QNC400156AAA00	
Position	4 - 9 - 11 - 13 - 16 - 19 - 20 - 23 - 24 - 31 - 40 - 41 - 77 - 98 - 150 - 158 - 178 - 179 - 282	
Complete actuator MACH156 D.A.	QNC400156AAA01	
Complete actuator MACH156 D.A. + spring	QNC400156AAA02	
Position	4 - 9 - 11 - 13 - 16 - 19 - 20 - 23 - 24 - 31 - 41 - 77 - 98 - 150 - 158 - 178 - 179 - 282	

Cylinder service KIT NBR	TTEBEA156G
Position	4 - 16 - 19 - 178

model: ZVF DN:125 - 150
 end connection: waf
 gaskets material: EPDM/VIT

actuator: SE/DA



282	Boccola/Guide Bush
205	Dado/Nut
191	Anello di tenuta/Seal ring
179	Grano/Grub screw
178	Anello di tenuta/Seal ring
158	Tubo/Pipe
149	Vite/Socket head screw
139	Semicorpo/Casing
137	Vite/Socket head screw
135	Supporto/Plates
134	Guarnizione/Gasket
133	Farfalla/Butterfly valve
120	Boccola/Guide Bush
110	Vite/Socket head screw
100	flangia/Flange
98	Rondella/Insert
97	Boccola/Guide Bush
77	Dado/Nut
41	Spina di fermo/Rotating pin
40	Tappo/Plug
31	Molla/Spring
24	Raccordo aria/Air connection
23	Perno superiore/Upper pin
20	Filo elastico/Snap ring
19	Anello di tenuta/Seal ring
18	Tampone filo/Stopper cylinder
16	Anello di tenuta/Seal ring
13	Pistone/Piston
11	Perno/Pin
10	Boccola/Guide Bush
9	Cilindro/Cylinder
4	Anello di tenuta/Seal ring
Pos.	Descrizione

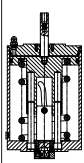
model: ZVF DN:125 - 150
end connection: waf
gaskets material: EPDM/VIT

actuator: SE/DA

Pos.	Q.ty	Description	DN125	DN150
4	1	Seal ring	RAAGA8562	RAAGA8562
9	1	Cylinder	TNC400156AAA	TNC400156AAA
10	1	Bush	TOJTE01815	TOJTE01815
11	1	Shaft	TNG400156AAA	TNG400156AAA
13	1	Piston	TNE400156LAA	TNE400156LAA
16	1	Seal ring	RAAGA4587	RAAGA4587
18	1	Threaded plug	TNA400156AAA	TNA400156AAA
19	1	Seal ring	RAIGA100	RAIGA100
20	1	Lock wire	TNMFZ15630	TNMFZ15630
23	1	Upper shaft	TNG401156AAA	TNG401156AAA
24	1	Air fitting	RCSOA118	RCSOA118
31	1	Spring	TNSFZ13030	TNSFZ13030
40	1	Plug	RCS001PSA	RCS001PSA
41	1	Pin	TNO100730AAA	TNO100730AAA
77	1	Nut	TNQ220000AAA	TNQ220000AAA
97	1	Bush	TOJDA02550	TOJDA02550
98	1	Insert	TNP220030OAA	TNP220030OAA
100	2	Flange WAF DIN	TPM013125BBA	TPM013150BBA
100	2	Flange WAF SMS		
110	2	Bolt	RBAAA10X50	RBAAA10X50
120	2	Guide bush	TOJ015018PVA	TOJ015018PVA
133	1	Butterfly	TWDBB1259	TWDBB1509
134	1	Gasket EPDM	VVF418B125	VVF418B150
134	1	Gasket VIT	VVF418X125	VVF418X150
135	()	Support	TOA400125AAA (2)	TOA400150AAA (2)
137	4	Bolt	RBAAA10X16	RBAAA10X16
139	2	Half bodies WAF	TWD002125BBA	TWD002150BBA
149	()	Socket screw	RBAAA10X40 (4)	RBAAA10X40 (4)
158	1	Pipe	TNE401156AAA	TNE401156AAA
178	1	Seal ring	RAAGA123	RAAGA123
179	1	Grub screw	RBFAA08X10	RBFAA08X10
191	2	Gasket WAF EPDM	TPH001136GMA	TPH001161GMA
191	2	Gasket WAF VIT	TPH001136GDA	TPH011161GDA
205	()	Nut	RBIAA.M10 (6)	RBIAA.M10 (6)
229	()	Socket screw	RBAAA08X20 (12)	RBAAA10X25 (12)
282	2	Guide bush	TOJ009010AAA	TOJ009010AAA

model: ZVF DN:125 - 150
end connection: waf
gaskets material: EPDM/VIT

actuator: SE/DA

	DN125	DN150	
	Complete actuator MACH156 S.A.	QNC400156AAA00	
	Position	4 - 9 - 11 - 13 - 16 - 19 - 20 - 23 - 24 - 31 - 40 - 41 - 77 - 98 - 150 - 158 - 178 - 179 - 282	
	Complete actuator MACH156 D.A.	QNC400156AAA01	
	Complete actuator MACH156 D.A. + spring	QNC400156AAA02	
	Position	4 - 9 - 11 - 13 - 16 - 19 - 20 - 23 - 24 - 31 - 41 - 77 - 98 - 150 - 158 - 178 - 179 - 282	

Cylinder service KIT NBR	TTEBEA156G
Position	4 - 16 - 19 - 178

model: ZVF DN:125 - 150
end connection: WAFER
gaskets material: EPDM/VIT

	DN125 - 127	DN150 - 152.4
Service KIT wetted part EPDM	TTABEA125E1	TTABEA150E1
Service KIT wetted part VIT	TTABEA125V1	TTABEA150V1
Position	134 - 191	

Recommendations

- 1.** Consultation of the “Instruction, Use and Maintenance Manual” is mandatory prior to the installation, use and maintenance of the products of all Products. All the information, indications, specifications, technical details provided herein are based on test data which the Manufacturer Bardiani Valvole S.p.A. holds to be reliable nevertheless the above is not deemed to be assumed as fully exhaustive inasmuch as not every possible use has been envisaged.
- 2.** All the illustrations and drawings provided are to be intended as indicative and therefore not binding, the illustrations being for presentation purposes only.
- 3.** It is the Buyer’s duty to assess the suitability of the products for the use he intends to make of the same prior to placing the order as he/she will take the risks and accept liability in case of incorrect choice and use of the Products.
- 4.** The Manufacturer strongly recommends the Buyer to contact their sales team and request any information that might be needed in relation to the specifications and uses of the Products.
- 5.** The information provided in this manual refers to the standard products manufactured by Bardiani Valvole S.p.A. and therefore cannot be assumed to apply to customized products as well.
- 6.** Bardiani Valvole S.p.A. reserves the right to amend and/or integrate and/or update the data and/or information and/or technical details relative to Products at any time and without prior notice. Please visit the website www.bardiani.com, where the latest updated of the “Instruction, Use and Maintenance Manual” can be found”.
- 7.** The content and validity of the warranty covering the Products of Bardiani Valvole S.p.A are dealt with in the relevant section in the “Instruction, Use and Maintenance Manual” which constitutes an integral part of the Products themselves.
- 8.** Bardiani Valvole S.p.A., shall not in any way be held liable for immaterial, indirect and consequential damages, such as (by way of example only), damages or loss of business, contracts, opportunities, time, production, profits, goodwill, image etc..