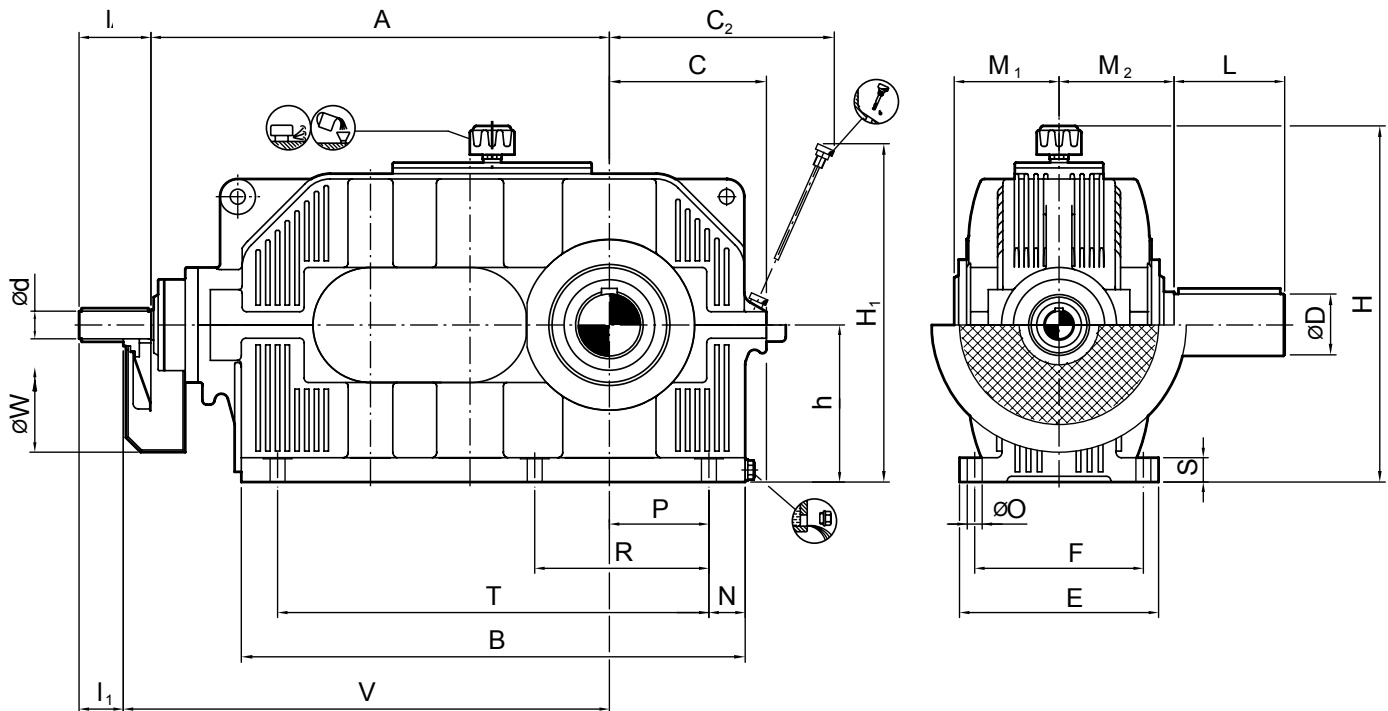


SERIES E

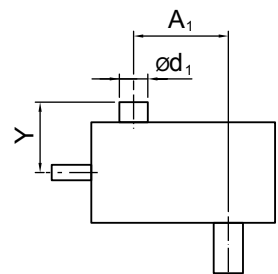
TYPE K3H

HORIZONTAL MOUNTING - BEVEL HELICAL GEAR UNIT

TRIPLE STAGE - SIZE 14 - 18



Size	Input Shaft						Output Shaft				Backstop			kg	ltr		
	i = 20 - 50			i = 56 - 71			D	L	M ₁	M ₂	A ₁	d ₁ ¹⁾	Y ¹⁾				
	i = 22.4 - 63			i = 71 - 90													
	i = 25 - 71			i = 80 - 100													
d	l	l ₁	d	l	l ₁	V	W	D	L	M ₁	M ₂	A ₁	d ₁ ¹⁾	Y ¹⁾	kg	ltr	
K3..14	19	90	40	19	90	40	435	240	48	95	106	125	190	90	180	70	3.5
K3..15	24	100	50	24	100	50	470	270	55	95	127	135	215	95	215	95	4.5
K3..16	24	100	50	24	100	50	530	300	60	130	133	145	240	95	215	130	6.5
K3..17	28	100	50	24	100	50	580	340	70	135	141	150	270	95	215	175	9
K3..18	32	110	60	28	100	50	645	360	80	160	158	170	305	140	265	235	13



Size	A	B	C	C ₂ ¹⁾	E	F	h	H ₁ ¹⁾	H ₂ ²⁾	N	O	P	R	S	T
K3..14	385	400	140	194	190	150	125	278	340	38	14	80	140	24	345
K3..15	420	460	155	215	228	170	140	306	370	38	14	95	170	24	395
K3..16	480	521	175	231	233	190	160	327	410	38	14	110	195	24	450
K3..17	530	580	190	257	250	210	180	378	450	43	18	115	210	32	495
K3..18	595	648	215	281	284	230	200	404	490	43	18	135	240	32	565

Modification of dimensions reserved.

Shaft ends with keys according to DIN 6885, part 1, Shape A.

Shaft centering according to DIN 332, shape DS (with thread)

Tolerance field for shaft ends ISO fit, up to Ø50 k6; over Ø50m6.

1) Max. dimensions; details acc. to order related documents

2) Approximate values; exact values acc. to order related documents