



Online Data Sheet

Encoder WDG 40A

www.wachendorff-automation.com/wdg40a

Wachendorff Automation

... systems and encoders

- Complete systems
- Industrial rugged encoders to suit your application
- Standard range and customer versions
- Maximum permissible loads
- 48-hour express production
- Made in Germany
- Worldwide distributor network

Encoder WDG 40A



- Robust and economical encoder with small dimensions
- Protection to IP67, shaft sealed to IP65
- Optional:
Protection to IP67 all around
-40 °C up to +80 °C

www.wachendorff-automation.com/wdg40a

Resolution	
Max. pulses per revolution PPR	up to 2500 PPR

Mechanical Data	
Housing	
Flange	Servo flange
Flange material	aluminum
Housing cap	aluminum, powder coated
Housing	Ø 40 mm
Cam mounting	pitch 51 mm

Shaft(s)	
Shaft material	stainless steel
Starting torque	approx. 0.2 Ncm at ambient temperature
Shaft	Ø 6 mm
Shaft length	L: 11.5 mm
Max. Permissible shaft loading radial	80 N
Max. Permissible shaft loading axial	50 N

Bearings	
Bearings type	2 precision ball bearings
Nominal service life	1 x 10 ⁹ revs. at 100 % rated shaft load 1 x 10 ¹⁰ revs. at 40 % rated shaft load 1 x 10 ¹¹ revs. at 20 % rated shaft load
Max. operating speed	12000 rpm

Machinery Directive: basic data safety integrity level	
MTTF _d	200 a
Mission time (TM)	25 a
Nominal service life (L10h)	1 x 10 ¹¹ revs. at 20 % rated shaft load and 12000 rpm
Diagnostic coverage (DC)	0 %

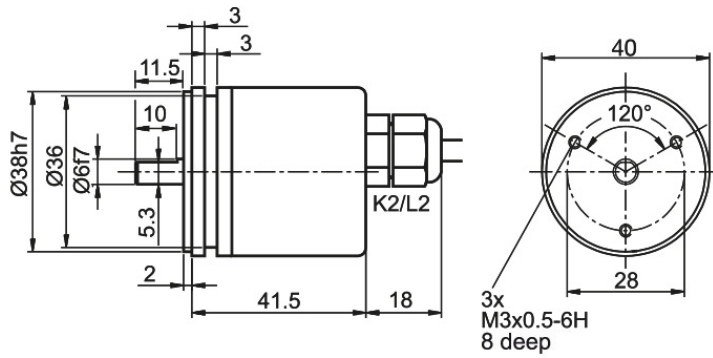
Electrical Data	
Power supply/Current consumption	4,75 VDC up to 5,5 VDC: typ. 70 mA
Power supply/Current consumption	10 VDC up to 30 VDC: typ. 70 mA
Output circuit	TTL TTL, RS422 compatible, inv. HTL HTL, inv.

Pulse frequency	TTL 2500 ppr: max. 200 kHz HTL 2500 ppr: max. 200 kHz
Channels	AB ABN and inverted signals
Load	max. 40 mA / channel
Circuit protection	circuit type H24 and R24 only

Accuracy	
Phase offset	90° ± max. 7.5 % of the period duration
pulse-/pause-ratio	50 % ± max. 7 %

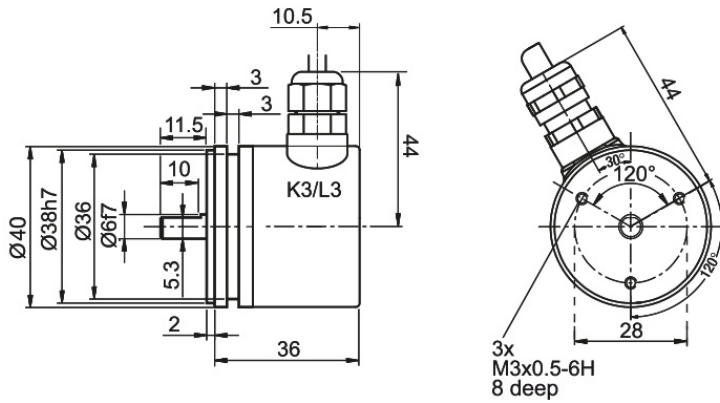
General Data	
Weight	approx. 100 g
Connections	cable or connector outlet
Protection rating (EN 60529)	Housing: IP65, IP67; shaft sealed: IP65; (IP40 for K1)
Operating temperature	-20 °C up to +80 °C
Storage temperature	-30 °C up to +80 °C

More Information	
General technical data and safety instructions http://www.wachendorff-automation.com/gtd	
Options http://www.wachendorff-automation.com/acc	

Cable connection K2, L2 with 2 m cable

Description
ABN inv. poss.

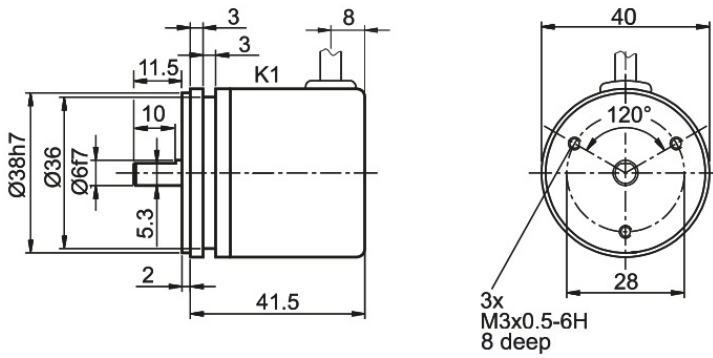
K2	axial, shield not connected	•
L2	axial, shield connected to encoder housing	•

Assignments		
	K2, L2	K2, L2
Circuit	H05, H24	R05, R24
GND	WH	WH
(+) Vcc	BN	BN
A	GN	GN
B	YE	YE
N	GY	GY
Light reserve warning	-	-
A inv.	-	RD
B inv.	-	BK
N inv.	-	VT
Shield	flex	flex

Cable connection K3, L3 with 2 m cabel

Description

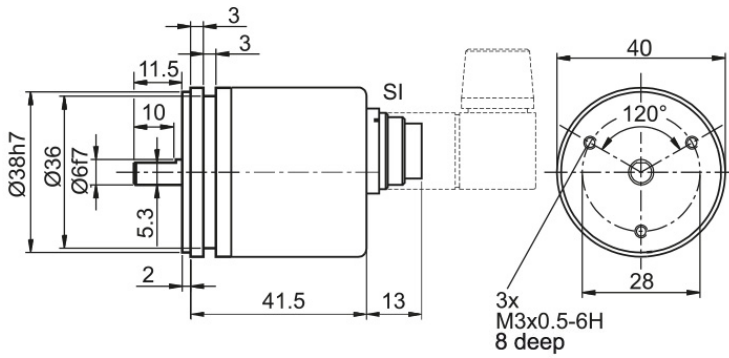
		ABN inv. poss.
K3	radial, shield not connected	•
L3	radial, shield connected to encoder housing	•

Assignments		
	K3, L3	K3, L3
Circuit	H05, H24	R05, R24
GND	WH	WH
(+) Vcc	BN	BN
A	GN	GN
B	YE	YE
N	GY	GY
Light reserve warning	-	-
A inv.	-	RD
B inv.	-	BK
N inv.	-	VT
Shield	flex	flex

Cable K1 (IP40) with 2 m cable

Description
ABN inv. poss.
K1 radial, shield not connected (IP40)

•

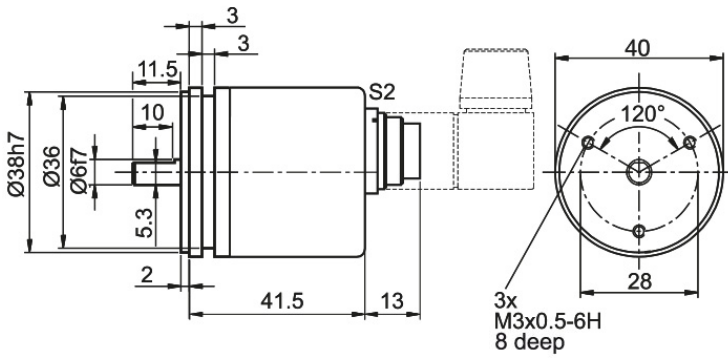
Assignments		
	K1	K1
Circuit	H05, H24	R05, R24
GND	WH	WH
(+) Vcc	BN	BN
A	GN	GN
B	YE	YE
N	GY	GY
Light reserve warning	-	-
A inv.	-	RD
N inv.	-	VT
B inv.	-	BK
Shield	flex	flex

Connector (M16x0,75) SI, 5-, 6-, 8-, 12-pin

Description
ABN inv. poss.

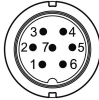
SI5	axial, 5-pin, Connector connected to encoder housing	-
SI6	axial, 6-pin, Connector connected to encoder housing	-
SI8	axial, 8-pin, Connector connected to encoder housing	•
SI12	axial, 12-pin, Connector connected to encoder housing	•

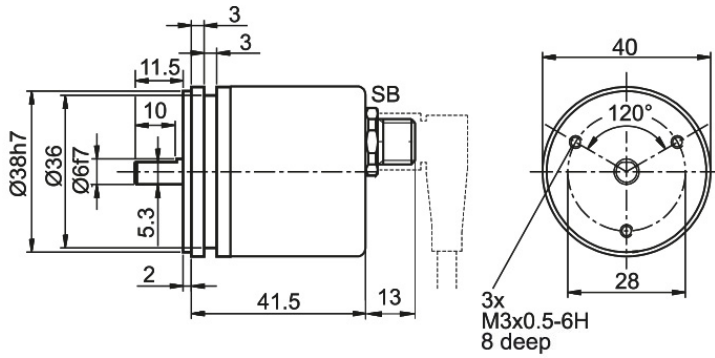
Assignments

	SI5 5-pin	SI6 6-pin	SI8 8-pin	SI8 8-pin	SI12 12-pin	SI12 12-pin
Circuit	H05, H24	H05, H24	H05, H24	R05, R24	H05, H24	R05, R24
GND	1	6	1	1	K, L	K, L
(+) Vcc	2	1	2	2	M, B	M, B
A	3	2	3	3	E	E
B	4	4	4	4	H	H
N	5	3	5	5	C	C
Light reserve warning	-	-	-	-	-	-
A inv.	-	-	-	6	-	F
B inv.	-	-	-	7	-	A
N inv.	-	-	-	8	-	D
n. c.	-	5	6, 7, 8	-	A, D, F, G, J	G, J
Shield	-	-	-	-	-	-

Connector (M16x0.75) S2, 7-pin

Description
ABN inv. poss.
S2 axial, 7-pin, Connector connected to encoder housing

-

Assignments	
	S2
	7-pin
	
Circuit	H05, H24
GND	1
(+) Vcc	2
A	3
B	4
N	5
Light reserve warning	-
A inv.	-
B inv.	-
N inv.	-
n. c.	6, 7
Shield	-

Sensor connector (M12x1) SB, 4-, 5-, 8-, 12-pin

Description
ABN inv. poss.

SB4	axial, 4-pin, Connector connected to encoder housing	-
SB5	axial, 5-pin, Connector connected to encoder housing	-
SB8	axial, 8-pin, Connector connected to encoder housing	•
SB12	axial, 12-pin, Connector connected to encoder housing	•

Assignments

	SB4 4-pin	SB5 5-pin	SB8 8-pin	SB8 8-pin	SB12 12-pin	SB12 12-pin
Circuit	H05, H24	H05, H24	H05, H24	R05, R24	H05, H24	R05, R24
GND	3	3	1	1	3	3
(+) Vcc	1	1	2	2	1	1
A	2	4	3	3	4	4
B	4	2	4	4	6	6
N	-	5	5	5	8	8
Light reserve warning	-	-	-	-	-	-
A inv.	-	-	-	6	-	9
B inv.	-	-	-	7	-	7
N inv.	-	-	-	8	-	10
n. c.	-	-	6, 7, 8	-	2, 5, 7, 9, 10, 11, 12	2, 5, 11, 12
Shield	-	-	-	-	-	-

Options

Low-friction bearings

The encoder WDG 40A is also available as a particularly smooth-running low-friction encoder. The starting torque is thereby changed to 0.1 Ncm and the protection class at the shaft input to IP50.

Order key

AAC

IP67 all around

The encoder WDG 40A can be supplied in a full IP67 version.

Order key

AAO

Max. RPM: 3500 rpm

Permitted Shaft-Loading, axial: 30 N

Permitted Shaft-Loading, radial: 45 N

Max. PPR: 1500 ppr

Starting-torque: approx. 1.2 Ncm at ambient temperature

Low temperature

The encoder WDG 40A with the output circuit types H24, R24 is also available with the extended temperature range -40 °C up to +80 °C (measured at the flange).

Order key

ACA

Cable length

The encoder WDG 40A can be supplied with more than 2 m cable. The maximum cable length depends on the supply voltage and the frequency; see www.wachendorff-automation.com/atd

Please extend the standard order code with a three figure number, specifying the cable length in decimetres.

Example: 5 m cable = 050

Order key

XXX = Decimeter

Example Order No.	Type				Your encoder
WDG 40A	WDG 40A				WDG 40A
Pulses per revolution PPR:					
2048	4, 9, 10, 15, 20, 25, 28, 30, 36, 40, 50, 60, 90, 100, 120, 125, 128, 150, 160, 180, 200, 235, 250, 300, 314, 318, 360, 400, 500, 600, 635, 720, 900, 1000, 1024, 1080, 1200, 1250, 1500, 1800, 2000, 2048, 2500 Other PPRs on request				
Channels:					
ABN	AB, ABN bis 2048 I/U				
Output circuit					
H24	Resolution PPR	Power supply VDC	Output circuit	Light reserve warning	Order key
	up to 2500	4.75 - 5.5	TTL	-	H05
		4.75 - 5.5	TTL, RS422 comp., inverted	-	R05
		10 - 30	HTL	-	H24
10 - 30		HTL inverted	-	R24	
Electrical connections					
K2	Description			ABN inv. poss.	Order key
	Cable: length (2 m standard, WDG 58T: 1 m)				
	radial, shield not connected (IP40)			•	K1
	axial, shield not connected			•	K2
	axial, shield connected to encoder housing			•	L2
	radial, shield not connected			•	K3
	radial, shield connected to encoder housing			•	L3
	Connector: (shield connected to encoder housing)				
	connector, M16x0.75, 5-pin, axial			-	SI5
	connector, M16x0.75, 6-pin, axial			-	SI6
	connector, M16x0.75, 8-pin, axial			•	SI8
	connector, M16x0.75, 12-pin, axial			•	SI12
	connector, M16x0.75, 7-pin, axial			-	S2
	sensor-connector, M12x1, 4-pin, axial			-	SB4
sensor-connector, M12x1, 5-pin, axial			-	SB5	
sensor-connector, M12x1, 8-pin, axial			•	SB8	
sensor-connector, M12x1, 12-pin, axial			•	SB12	
Options					
	Description			Order key	
	Low-friction bearings			AAC	
	IP67			AAO	
	Low temperature			ACA	
	Without option			Empty	
	Cable length			XXX = Decimeter	

Example Order No.=	WDG 40A	2048	ABN	H24	K2		WDG 40A					Your encoder
---------------------------	---------	------	-----	-----	----	--	---------	--	--	--	--	---------------------



For further information please contact our local distributor.
Here you find a list of our distributors worldwide.
<https://www.wachendorff-automation.com/>



Wachendorff Automation GmbH & Co. KG
Industriestrasse 7 • 65366 Geisenheim
Germany

Phone: +49 67 22 / 99 65 25
Fax: +49 67 22 / 99 65 70
E-Mail: wdg@wachendorff.de
www.wachendorff-automation.de

