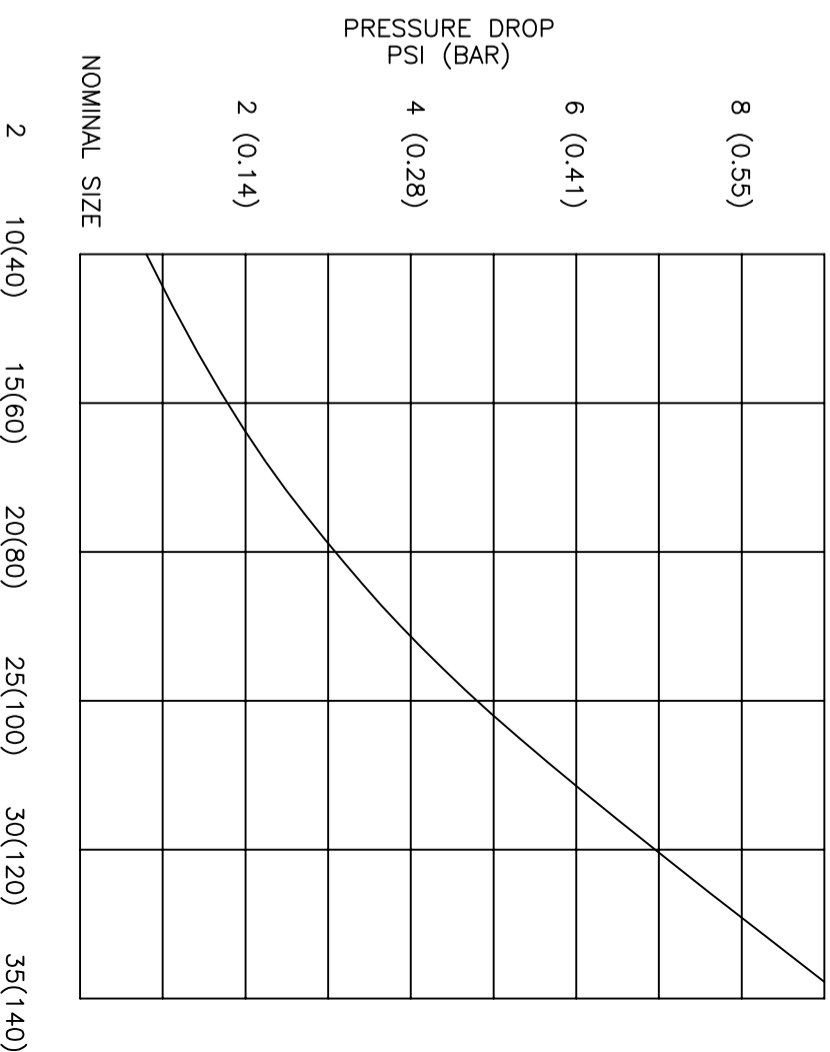
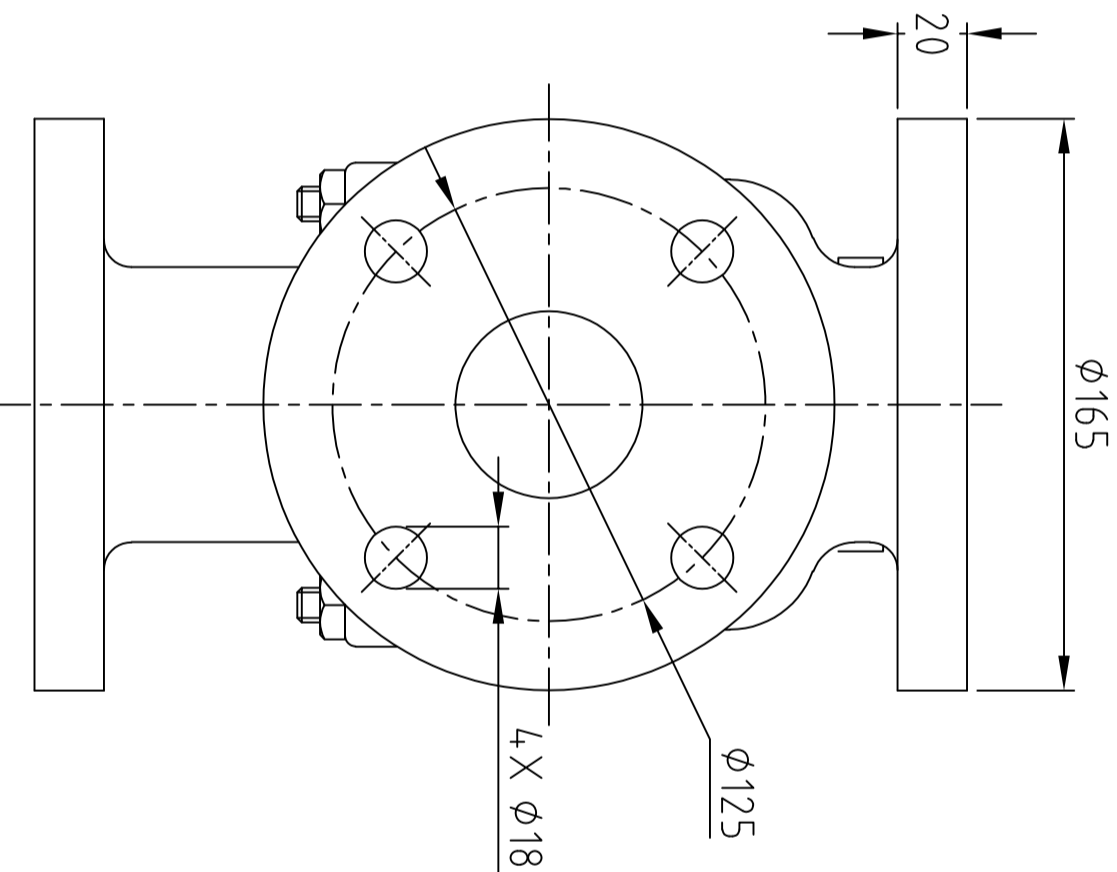
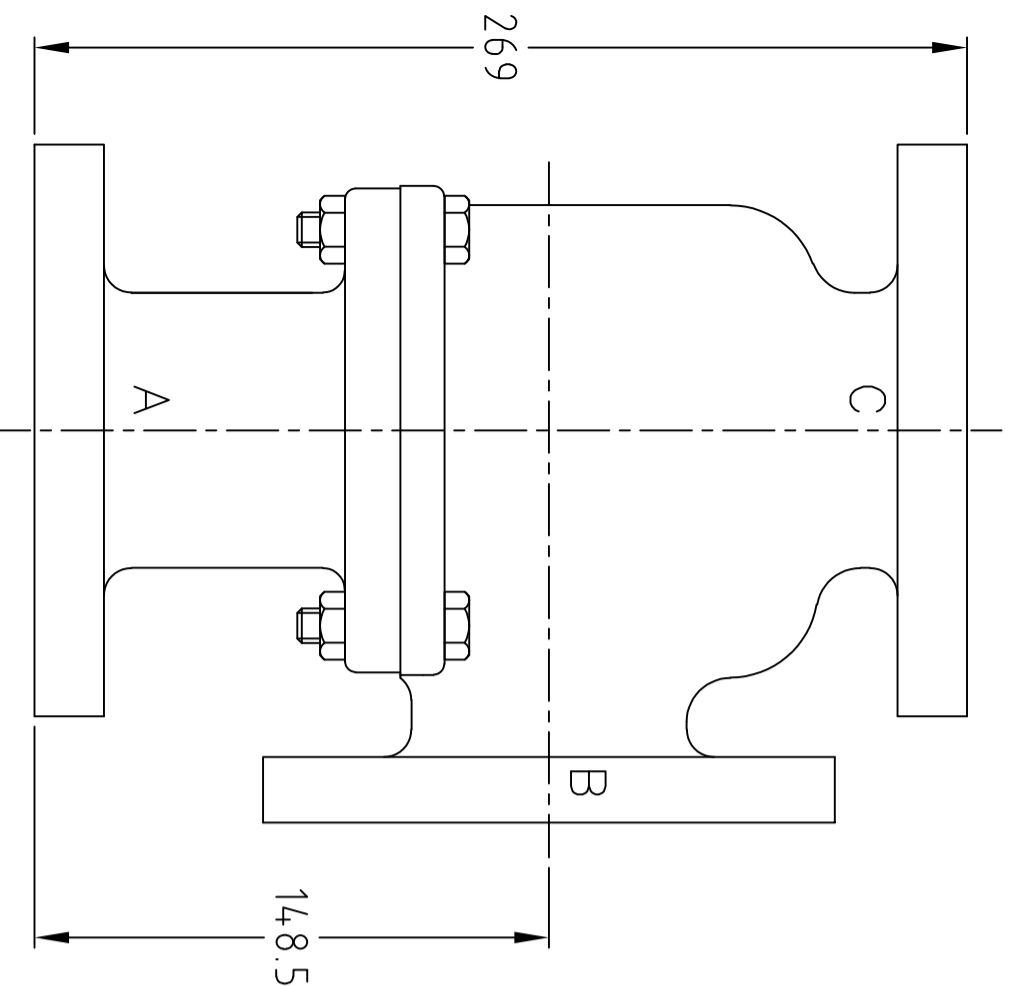
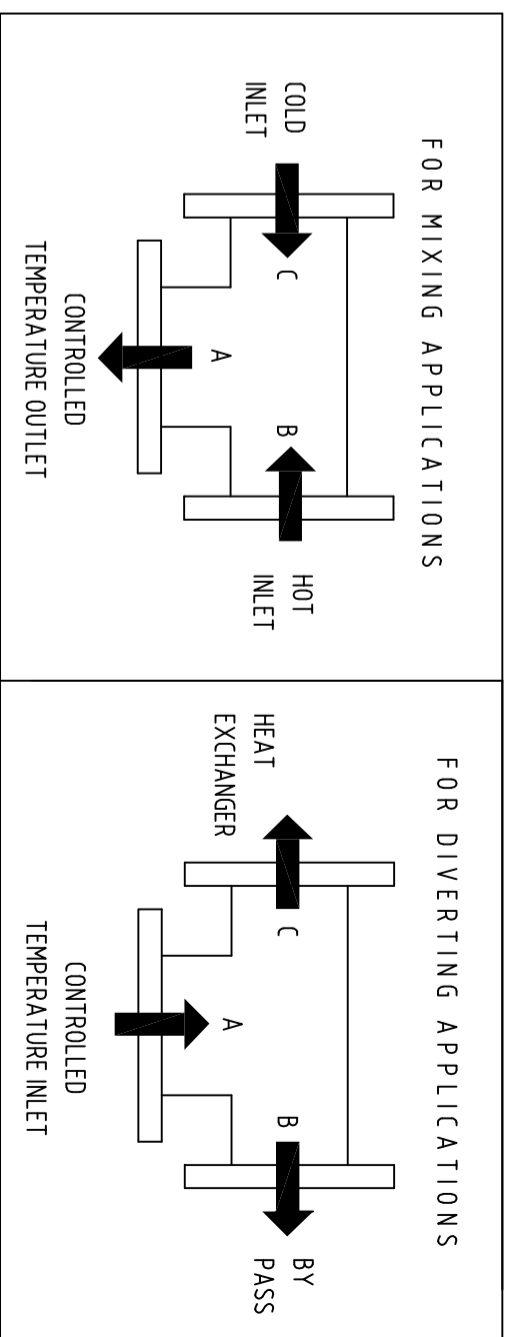


APPROXIMATE WEIGHTS OF  
KILOGRAMS (KG/LBS)

MAT'L	SIZE	2BF C B
CAST IRON		
DUCTILE IRON		18(40)

INSTALLATION



MATERIAL CAST IRON (BS:1452 GRADE 250)

MATL. CODE

FINISH

THIRD ANGLE  
PROJECTION

COMPUTER GENERATED DRAWING  
DO NOT REVISE BY HAND - DO NOT SCALE

UNLESS OTHERWISE STATED:-  
BASIC MM  
ONE DEC PLACE  
TWO DEC PLACE  
ANGLES ± 0.5°  
FINISH N8 (3.2 MICRONS)  
REMOVE BURS + SHARP EDGES  
ALL DIMENSIONS IN MILLIMETRES

SCALE (A3 PLOT) NTS  
MODEL B VALVE  
SPEC. CODE NONE  
1st JOB No.  
DRAWING CONTROL P.R.C

DRAWN HALLEY BAI 12/08/2011  
REVISED ZHENGYI XUAN 14 NOV 2018  
APPROVED MAC HUANG 08 JAN 2019  
REVISION DETAILS OF THIS ISSUE ONLY :-  
MOD No. - NONE  
STATUS - RELEASED

2BF C B OUTLINE DRAWING  
FLANGE FIT TO PN10  
DRAWING NUMBER  
B/ 2BF C B

ISSUE  
04

amot

Bury St Edmunds, England.  
Richmond, California, USA.  
Jia Ding, Shanghai, China.

AMOT INDUSTRIES INC OWNS THE COPYRIGHT OF THIS DRAWING WHICH IS SUPPLIED IN CONFIDENCE AND MUST NOT BE REPRODUCED OR TRANSMITTED IN ANY FORM OR BY ANY MEANS WITHOUT THE CONSENT OF THE OWNERS.